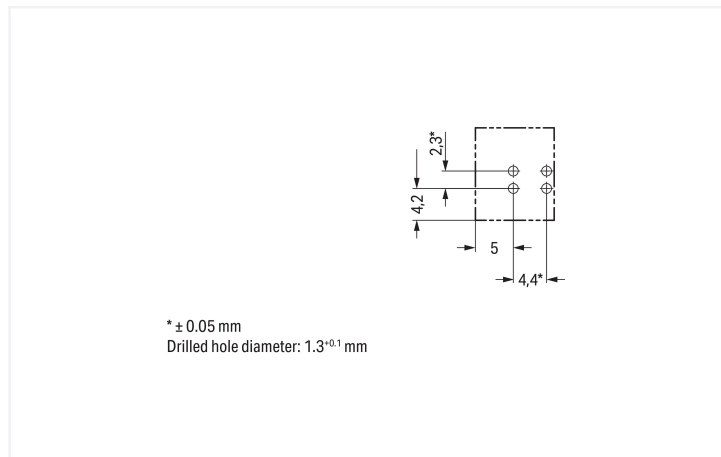
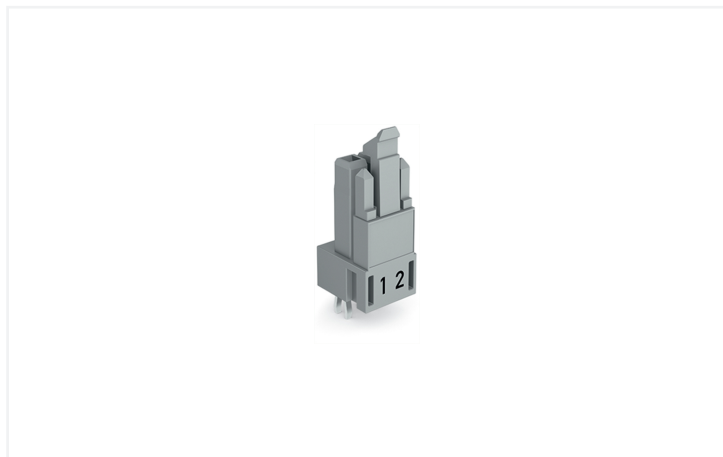


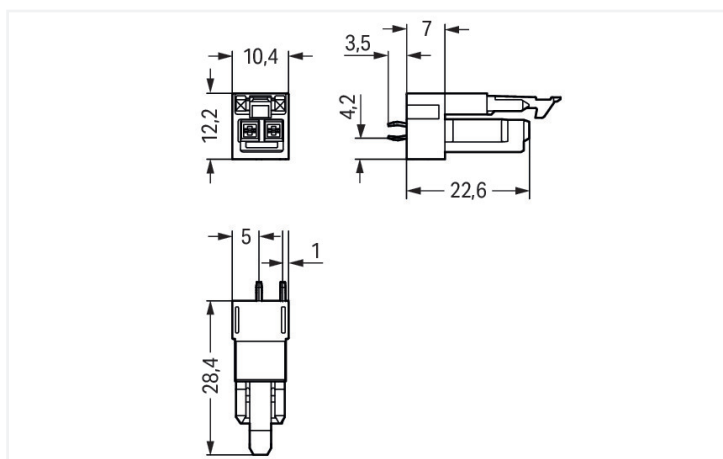
**Data Sheet | Item Number: 890-842**  
Socket for PCBs; straight; 2-pole; Cod. B; gray

<https://www.wago.com/890-842>



Color: ■ gray

Dimensions in mm



Dimensions in mm

**Female connector/socket WINSTA® MINI with protection against mismatching**

The WINSTA® MINI female connector/socket B coding are compact but outstanding PCB terminal blocks. They offer convenient operation and the greatest possible flexibility for installation. The pluggable PCB connectors with spring pressure connection technology and Push-in CAGE CLAMP® technology from WAGO allow impact-resistant, maintenance-free, fast terminal connections. The coding options reduce installation errors, allowing fast, secure wiring of all components. Solutions like the WINSTA® MINI pcb connectors with B coding are appropriate for applications related to process control, for example, for lighting or within data networks. Thanks to its particularly minimal dimensions, our WINSTA® MINI Pluggable Connection System with Push-in CAGE CLAMP® spring pressure connection technology is very suitable in very restricted spaces, i.e., for connections when very little room is available.

**WINSTA® MINI solutions for your electrical installation – protected against mismatching and maintenance-free**

The WINSTA® Pluggable Connection System is ideally tailored to the strict requirements of building installation. It makes electrical installation pluggable, and thus faster, more reliable, and error-free. Use of this pre-assembled system reduces time spent on assembly and errors during installation at the construction site. Enjoy the benefits of the pluggable version of our maintenance-free spring pressure connection technology too! Plan your installation with with locking lever from WAGO.

- pcb connectors with protection against mismatching
- compact design for conductors with a cross-section up to 1.5 mm<sup>2</sup>
- with B coding for controllers, for example sun blinds and lighting fixtures
- convenient installation and commissioning

## Notes

## General safety information

1. Only to be used by a qualified electrician or by a person electrically instructed for the task (EIP per DIN VDE 0105-100).
2. Do not install while energized or under load.
3. Use only for its intended purpose.
4. Observe applicable national regulations, standards and directives.
5. Observe the technical specifications of the products.
6. Ensure correct polarity assignment.
7. Do not use damaged or contaminated components.
8. Observe conductor types, conductor cross-sections, strip lengths and cable diameters.
9. Insert conductors up to the stop.
10. Use only with locking lever and strain relief.
11. Use original accessories only.

**To be sold only with installation instructions!**

## Variants:

Other pole markings

Other versions (or variants) can be requested from WAGO Sales or configured at <https://configurator.wago.com/>.

## Electrical data

| Ratings per                     | IEC/EN 60664-1 |     |    | Approvals per | UL 1977 |
|---------------------------------|----------------|-----|----|---------------|---------|
| Overvoltage category            | III            | III | II | Rated voltage | 600 V   |
| Pollution degree                | 3              | 2   | 2  | Rated current | 14 A    |
| Nominal voltage                 | 250 V          | -   | -  |               |         |
| Rated impulse withstand voltage | 4 kV           | -   | -  |               |         |
| Rated current                   | 16 A           | -   | -  |               |         |

## General information

|                            |  |
|----------------------------|--|
| Note on contact resistance | approx. 1 mΩ of contact resistance<br>approx. 0.25 mΩ contact transition plug/<br>socket |
|----------------------------|--|

## Connection Data

|                            |   |                     |   |
|----------------------------|---|---------------------|---|
| Total number of potentials | 2 | <b>Connection 1</b> |   |
|                            |   | Pole number         | 2 |

## Physical data

|                         |                          |
|-------------------------|--------------------------|
| Pin spacing             | 4.4 mm / 0.173 inches    |
| Width                   | 10.4 mm / 0.41 inches    |
| Height                  | 31.9 mm / 1.256 inches   |
| Height from the surface | 28.4 mm / 1.118 inches   |
| Depth                   | 12.2 mm / 0.48 inches    |
| Solder pin length       | 3.5 mm                   |
| Solder pin dimensions   | 1 x 0.8 mm               |
| Drilled hole diameter   | 1.3 <sup>(+0.1)</sup> mm |

### Mechanical data

|   |   |
|---|---|
| Use                                     | Control technology  |
| Coding                                  | B   |
| Variable coding                         | No  |
| Marking                                 | 1 2   |
| Potential marking                       | 1 2   |
| Mating force of a plug-in connection    | approx. 20 ... 70 N (depending on pole number)  |
| Retention force of a plug-in connection | Locked: > 80 N  |
| Unmating force of a plug-in connection  | Unlocked: approx. 20 ... 70 N (depending on pole number)  |
| Number of mating cycles                 | 200, without resistive load<br>100, with resistive load $I_N = 16$ A, tested (1.5 mm <sup>2</sup> ) |
| Design                                  | straight  |

### Plug-in connection

|                                    |  |
|------------------------------------|--|
| Contact type (pluggable connector) | Female connector/socket  |
| Connector (connection type)        | for PCB  |
| Mismating protection               | Yes  |
| Note on mismating protection       | All WINSTA® components are 100% protected against mismating when:<br>a.) plugging different numbers of poles<br>b.) plugging while rotated 180<br>c.) plugging while laterally staggered<br>d.) plugging one pole  |
| Mating direction to the PCB        | 90 °   |
| Locking lever                      | Yes  |
| Locking of plug-in connection      | Locking lever  |
| Note on locking system             | All connectors for mounted installations (snap-in versions for lighting fixtures or devices, all types of PCB and distribution connectors) are factory-equipped with locking levers to ensure plugs and sockets are securely locked. Additional locking levers are only required for flying leads (plug/socket). |

### PCB contact

|                                     |                            |
|-------------------------------------|----------------------------|
| PCB contact                         | THT                        |
| Solder pin arrangement              | 2 in-line solder pins/pole |
| Number of solder pins per potential | 2                          |

### Material data

|                                    |  |
|------------------------------------|--|
| Note (material data)               | <a href="#">Information on material specifications can be found here</a> |
| Color                              | gray   |
| Cover color                        | gray   |
| Material group                     | I  |
| Insulation material (main housing) | Polyamide (PA66)   |
| Flammability class per UL94        | V0   |
| Clamping spring material           | Chrome-nickel spring steel (CrNi)  |
| Contact material                   | Copper or copper alloy; surface-treated                                  |
| Contact Plating                    | Tin  |
| Fire load                          | 0.037 MJ   |
| Weight                             | 2.5 g  |

### Environmental requirements

|  |  |
|--|--|
| Processing temperature                   | -5 ... +40 °C                              |
| Continuous operating temperature         | -35 ... +85 °C                             |
| Note on continuous operating temperature | Insulating parts for temperatures ≤ 105 °C |

### Commercial data

|                       |               |
|-----------------------|---------------|
| Product Group         | 20 (Winsta)   |
| PU (SPU)              | 100 pcs       |
| Packaging type        | Box           |
| Country of origin     | PL            |
| GTIN                  | 4050821695615 |
| Customs tariff number | 85366990990   |

### Product Classification

|             |                      |
|-------------|----------------------|
| UNSPSC      | 39121409             |
| eCl@ss 10.0 | 27-44-06-05          |
| eCl@ss 9.0  | 27-44-06-05          |
| ETIM 9.0    | EC002637             |
| ETIM 10.0   | EC002637             |
| ECCN        | NO US CLASSIFICATION |

### Environmental Product Compliance

|                        |                         |
|------------------------|-------------------------|
| RoHS Compliance Status | Compliant, No Exemption |
|------------------------|-------------------------|

### Approvals / Certificates

#### General approvals



| Approval                                   | Standard  | Certificate Name |
|--|-----------|------------------|
| CB<br>DEKRA Certification B.V.             | IEC 61984 | NL-64351         |
| CB<br>DEKRA Certification B.V.             | EN 61984  | 71-112993        |
| cURus<br>Underwriters Laboratories<br>Inc. | UL 1977   | E45171           |
| KEMA/KEUR<br>DEKRA Certification B.V.      | EN 60320  | 2148952.04       |

#### Declarations of conformity and manufacturer's declarations

| Approval  | Standard | Certificate Name |
|---|----------|------------------|
| EU-Declaration of Confor-<br>mity<br>WAGO GmbH & Co. KG | -        | -                |
| UK-Declaration of Confor-<br>mity<br>WAGO GmbH & Co. KG | -        | -                |

### Approvals for marine applications



| Approval  | Standard | Certificate Name  |
|---|----------|-------------------|
| DNV GL<br>Det Norske Veritas, Ger-<br>manischer Lloyd | -        | TAE00001Z6        |
| PRS<br>Polski Rejestr Statków                         | -        | TE/1096/880590/23 |

Downloads

Environmental Product Compliance

Compliance Search

Environmental Product  
Compliance 890-842



CAD/CAE-Data

CAD data

2D/3D Models 890-842



CAE data

ZUKEN Portal 890-842

