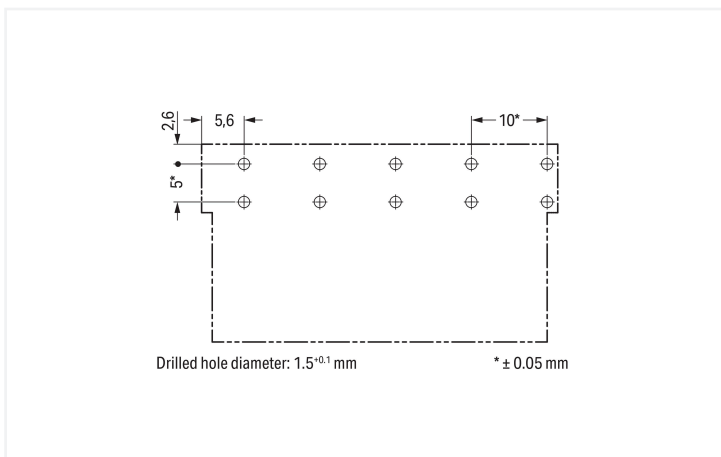


Color: ■ black

Dimensions in mm



Dimensions in mm

### Female connector/socket WINSTA® MIDI 5-pole

Reliably secure installations thanks to distinctive connection technology: The WINSTA® MIDI female connector/socket. The pluggable PCB connectors with spring pressure connection technology and Push-in CAGE CLAMP® technology from WAGO allow maintenance free terminal connections. The mechanical coding and color coding of the pcb connectors ensure error-free installation of the individual components – including protection against mismatching. Thanks to the color coding and mechanical A coding of WINSTA® MIDI pcb connectors, you can clearly distinguish different circuits. This pcb connectors can be used for a load of up to 25 A. Therefore, pcb connectors can also be used for high power loads. The WINSTA® MIDI Pluggable Connection System with Push-in CAGE CLAMP® spring pressure connection technology facilitates precise electrification. Thanks to the built-in test slot, it is possible to check connections even when they are plugged in. This saves time, labor, and money.

Lower costs through fast commissioning and elimination of service expenses – solutions from WINSTA® MIDI

The WINSTA® Pluggable Connection System allows pluggable electrical installation. This significantly reduces the need for servicing and lowers costs. Now you can also cut installation costs without compromising quality and safety: with protection against mismatching reduces the need for servicing and prevents unnecessary downtime.

- effective protection against mismatching
- pre-assembled versions
- with A coding for a great number of applications
- quick replacement of defective units during ongoing operation

## Notes

### General safety information

1. Only to be used by a qualified electrician or by a person electrically instructed for the task (EIP per DIN VDE 0105-100).
2. Do not install while energized or under load.
3. Use only for its intended purpose.
4. Observe applicable national regulations, standards and directives.
5. Observe the technical specifications of the products.
6. Ensure correct polarity assignment.
7. Do not use damaged or contaminated components.
8. Observe conductor types, conductor cross-sections, strip lengths and cable diameters.
9. Insert conductors up to the stop.
10. Use only with locking lever and strain relief.
11. Use original accessories only.

**To be sold only with installation instructions!**

## Electrical data

| Ratings per                     | IEC/EN 60664-1 |     |    |
|---------------------------------|----------------|-----|----|
| Overvoltage category            | III            | III | II |
| Pollution degree                | 3              | 2   | 2  |
| Nominal voltage                 | 400 V          | -   | -  |
| Rated impulse withstand voltage | 6 kV           | -   | -  |
| Rated current                   | 25 A           | -   | -  |

| Approvals per | UL 1977 |
|---------------|---------|
| Rated voltage | 600 V   |
| Rated current | 23 A    |

## General information

|                            |  |
|----------------------------|--|
| Note on contact resistance | approx. 1 mΩ of contact resistance<br>approx. 0.25 mΩ contact transition plug/<br>socket |
|----------------------------|--|

## Connection Data

|                            |   |
|----------------------------|---|
| Total number of potentials | 5 |
|----------------------------|---|

| Connection 1 |   |
|--------------|---|
| Pole number  | 5 |

## Physical data

|                         |                                   |
|-------------------------|-----------------------------------|
| Pin spacing             | 10 mm / 0.394 inches              |
| Width                   | 47 mm / 1.85 inches               |
| Height                  | 18.1 mm / 0.713 inches            |
| Height from the surface | 14.6 mm / 0.575 inches            |
| Depth                   | 26 mm / 1.024 inches              |
| Solder pin length       | 3.5 mm                            |
| Solder pin dimensions   | 1 x 0.8 mm                        |
| Drilled hole diameter   | 1.5 <sup>(+0.1 ... +0.1)</sup> mm |

## Mechanical data

|   |  |
|---|--|
| Use                                     | General mains applications                               |
| Coding                                  | A  |
| Variable coding                         | Yes  |
| Marking                                 | N ⊕ L1 L2 L3   |
| Potential marking                       | N ⊕ L1 L2 L3   |
| Mating force of a plug-in connection    | approx. 20 ... 70 N (depending on pole number)           |
| Retention force of a plug-in connection | Locked: > 80 N   |
| Unmating force of a plug-in connection  | Unlocked: approx. 20 ... 70 N (depending on pole number) |
| Number of mating cycles                 | 200, without resistive load                              |
| Design                                  | angled   |

### Plug-in connection

|                                    |  |
|------------------------------------|--|
| Contact type (pluggable connector) | Female connector/socket  |
| Connector (connection type)        | for PCB  |
| Mismating protection               | Yes  |
| Note on mismating protection       | All WINSTA® components are 100% protected against mismating when:<br>a.) plugging different numbers of poles<br>b.) plugging while rotated 180<br>c.) plugging while laterally staggered<br>d.) plugging one pole  |
| Mating direction to the PCB        | 0°   |
| Locking lever                      | Yes  |
| Locking of plug-in connection      | Locking lever  |
| Note on locking system             | All connectors for mounted installations (snap-in versions for lighting fixtures or devices, all types of PCB and distribution connectors) are factory-equipped with locking levers to ensure plugs and sockets are securely locked. Additional locking levers are only required for flying leads (plug/socket). |

### PCB contact

|                                     |                            |
|-------------------------------------|----------------------------|
| PCB contact                         | THT                        |
| Solder pin arrangement              | 2 in-line solder pins/pole |
| Number of solder pins per potential | 2                          |

### Material data

|                                    |  |
|------------------------------------|--|
| Note (material data)               | <a href="#">Information on material specifications can be found here</a> |
| Color                              | black  |
| Insulation material (main housing) | Polyamide (PA66)   |
| Flammability class per UL94        | V0   |
| Clamping spring material           | Chrome-nickel spring steel (CrNi)  |
| Contact material                   | Copper or copper alloy; surface-treated                                  |
| Contact Plating                    | Tin  |
| Fire load                          | 0.172 MJ   |
| Weight                             | 10.5 g   |

### Environmental requirements

|  |  |
|--|--|
| Processing temperature                   | -5 ... +40 °C                              |
| Continuous operating temperature         | -35 ... +85 °C                             |
| Note on continuous operating temperature | Insulating parts for temperatures ≤ 105 °C |

### Commercial data

|                       |               |
|-----------------------|---------------|
| PU (SPU)              | 50 pcs        |
| Packaging type        | Box           |
| Country of origin     | PL            |
| GTIN                  | 4044918684743 |
| Customs tariff number | 85366990990   |

**Product Classification**

|             |                      |
|-------------|----------------------|
| UNSPSC      | 39121409             |
| eCl@ss 10.0 | 27-44-06-05          |
| eCl@ss 9.0  | 27-44-06-05          |
| ETIM 9.0    | EC002637             |
| ETIM 10.0   | EC002637             |
| ECCN        | NO US CLASSIFICATION |

**Environmental Product Compliance**

|                        |                         |
|------------------------|-------------------------|
| RoHS Compliance Status | Compliant, No Exemption |
|------------------------|-------------------------|

**Approvals / Certificates**

**General approvals** **Declarations of conformity and manufacturer's declarations**



| Approval                                | Standard  | Certificate Name |
|---|-----------|------------------|
| CCA<br>DEKRA Certification B.V.         | EN 61535  | 71-123228        |
| CCA<br>DEKRA Certification B.V.         | IEC 61535 | NL -84761        |
| cURus<br>Underwriters Laboratories Inc. | UL 1977   | E45171           |

| Approval  | Standard | Certificate Name |
|---|----------|------------------|
| EU-Declaration of Confor-<br>mity<br>WAGO GmbH & Co. KG | -        | -                |

**Approvals for marine applications**






| Approval  | Standard  | Certificate Name |
|---|-----------|------------------|
| ABS<br>American Bureau of Ship-<br>ping               | -         | 24-0095977-PDA   |
| DNV GL<br>Det Norske Veritas, Ger-<br>manischer Lloyd | -         | TAE00001Z6       |
| LR<br>Lloyds Register                                 | IEC 61984 | LR22429487TA     |

**Downloads**

**Environmental Product Compliance**

|  |
|--|
| <b>Compliance Search</b>                               |
| Environmental Product<br>Compliance<br>770-805/011-000 |

## CAD/CAE-Data

| CAD data  | CAE data   |
|---|--|
| 2D/3D Models<br>770-805/011-000  | EPLAN Data Portal<br>770-805/011-000  |
|   | ZUKEN Portal<br>770-805/011-000       |

## 1 Compatible Products

## 1.1 System counterpart

## 1.1.1 Cable assembly

**Item No.: 771-9995/206-101**

pre-assembled connecting cable; Eca; Plug/open-ended; 5-pole; Cod. A; H05VV-F 5G 1.5 mm<sup>2</sup>; 1 m; 1,50 mm<sup>2</sup>; black

**Item No.: 771-9995/006-101**

pre-assembled interconnecting cable; Eca; Socket/plug; 5-pole; Cod. A; H05VV-F 5G 1.5 mm<sup>2</sup>; 1 m; 1,50 mm<sup>2</sup>; black

## 1.1.2 Male connector/plug

**Item No.: 770-215**

Plug; 5-pole; Cod. A; 4,00 mm<sup>2</sup>; black

**Item No.: 770-415**

Plug; 5-pole; Cod. A; 4,00 mm<sup>2</sup>; black

**Item No.: 770-115**

Plug; with strain relief housing; 5-pole; Cod. A; 4,00 mm<sup>2</sup>; black

**Item No.: 770-315**

Plug; with strain relief housing; 5-pole; Cod. A; 4,00 mm<sup>2</sup>; black

## 1.2 Required Accessories

## 1.2.1 Cover

## 1.2.1.1 Cover

**Item No.: 770-201**

Lockout cap; 12-pole, separable; for sockets; Plastic; black

**Item No.: 770-221**

Lockout cap; 12-pole, separable; for sockets; Plastic; white