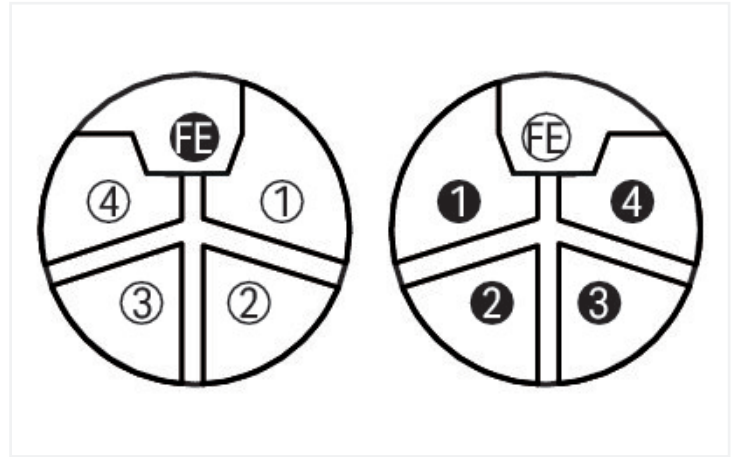


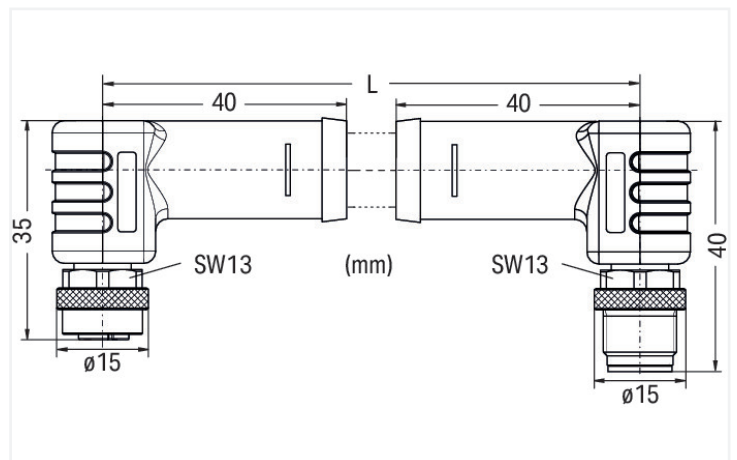
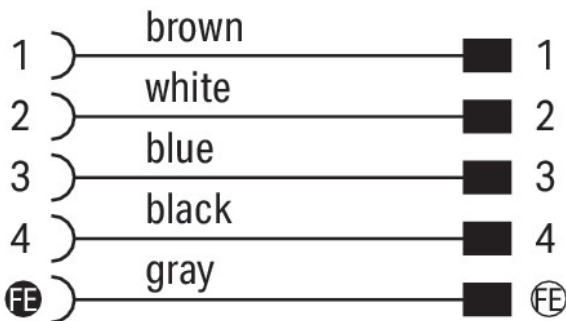
Data Sheet | Item Number: 756-3506/050-075

Power cable; M12L socket; angled; M12L plug; angled; 5-pole; Length: 7.5 m

<https://www.wago.com/756-3506/050-075>



Pin 1 ... 4/FE: 1.5 mm²



Short description:

These power cables are an accessory for the WAGO I/O System Field.

Use them as flexible, flame-retardant and halogen-free supply cables for industrial mechanical engineering applications – particularly those with high requirements, e.g., for use in cable chains (drag chains) and moving machine parts.

- Strong resistance to microbes and hydrolysis
- Good to very good weather resistance (UV and ozone)
- High resistance against welding sparks
- Excellent chemical and oil resistance
- Silicon- and PVC-free
- Free from paint-wetting impairment substances
- Flexible at low temperatures

Technical data

General information

Operating voltage	63 VDC per IEC 60664-1
Operating current	16 A
Rated impulse withstand voltage	1.5 kV per IEC 61076-2-111
Insulation resistance	≥10 ⁸ Ω
Contact resistance	5 mΩ
Conductor resistance	≤ 13.7 Ω/km
Pollution degree	3 per IEC 60664-1

General information

Protection type	IP68
Ambient temperature (operation)	-40 ... +90 °C (UL max. +80 °C)
Ambient (operating) temperature (static)	-40 ... +90 °C
Ambient (operating) temperature (dynamic)	-30 ... +90 °C

Drag chain compatible

Ambient air (operating) temperature in drag chain	-25 ... +60 °C
Bending radius	Fixed: >4xØ; Flexible: >7.5xØ
Bending cycles	10 million
Torsional capacity	270 °/m

Cable

Cable length	7.5 m
Type code	LiF9YH-11Y-0B 5x1.5mm ²
Cable type	Design per UL + CSA Style 20234
Conductor configuration	Bare copper wire (84 x 0.15 mm)
Conductor insulation	PP9Y (halogen-free)
Sheath material	Polyurethane (PUR), halogen-free per VDE 0472, Part 815; flame-retardant per IEC 60332-1-2, VDE 0482-332-1-2, UL vertical Flame test VW-1, CSA FT-1
Sheathed cable color	gray

Other properties

Note	Exclusion of hazardous substances per: 200/53/EC, 2003/11/EC, (EC) No. 1907/2006, 2015/863/EU
------	---

Connector

Connection type	M12 Socket - M12 plug
Pole number	5
Cable connection direction to mating direction	90 °
Cable connection direction to mating direction (2)	90 °
Connector interface coding (cable/adaptor) 1 1	L-coded
Housing material	TPU/TPU, black (~ RAL 9005)
Contact material (connector)	CuZn
Contact plating (connector)	Ni/Au (0.2 µm Au over Ni)
Connector	Hexagon knurled nut: CuZn; Knurled nut surface: nickel-plated; Sealing ring: FPM/FKM
Tightening torque	1 Nm

Commercial data

PU (SPU)	1 pcs
Packaging type	unpacked
Country of origin	DE
GTIN	4055143974509
Customs tariff number	85444290900

Product Classification

UNSPSC	26121629
ETIM 9.0	EC001855
ETIM 10.0	EC001855
ECCN	NO US CLASSIFICATION

Environmental Product Compliance

RoHS Compliance Status	Compliant, No Exemption
------------------------	-------------------------

Approvals / Certificates

General approvals



Approval	Standard	Certificate Name
UL Underwriters Laboratories Inc.	UL 2237	E519600

Downloads

Environmental Product Compliance

Compliance Search

Environmental Product
Compliance
756-3506/050-075

