



Wire & Cable > Hook Up Wire



Cable Type: **Spec 44**

Operating Voltage: **600 V**

Wire & Cable Insulation Material: **Modified Radiation Cross-linked PVDF**

Conductor Material: **Tin-Coated Copper**

Wire Size: **26 AWG**

Features

Product Type Features

| | |
|-------------|---------|
| Cable Style | Primary |
|-------------|---------|

Configuration Features

| | |
|----------------------|----|
| Number of Strands | 19 |
| Number of Conductors | 1 |

Electrical Characteristics

| | |
|-------------------|-------|
| Operating Voltage | 600 V |
|-------------------|-------|

Body Features

| | |
|----------------------------------|--------------------------------------|
| Wire & Cable Insulation Material | Modified Radiation Cross-linked PVDF |
| Conductor Material | Tin-Coated Copper |
| Wire Color (Base) | Black |

Dimensions

| | |
|--------------------------|----------------------------|
| Strand Size | 38 AWG |
| Outside Cable Diameter | .86 mm[.034 in] |
| Conductor Diameter Range | .48 – .5 mm[.019 – .02 in] |
| Wire Size | 26 AWG |

Usage Conditions

| | |
|------------|---------|
| Cable Type | Spec 44 |
|------------|---------|

Operating Temperature Range

-65 – 150 °C[-85 – 302 °F]

Other

Product Source

UK

Product Compliance

[For compliance documentation, visit the product page on TE.com>](#)

EU RoHS Directive 2011/65/EU

Compliant

EU ELV Directive 2000/53/EC

Compliant

China RoHS 2 Directive MIIT Order No 32, 2016

No Restricted Materials Above Threshold

EU REACH Regulation (EC) No. 1907/2006

Current ECHA Candidate List: JUNE 2025 (250)
Candidate List Declared Against: JAN 2025 (247)
Does not contain REACH SVHC

Halogen Content

Low Bromine/Chlorine - Br and Cl < 900 ppm per homogenous material. Also BFR /CFR/PVC Free

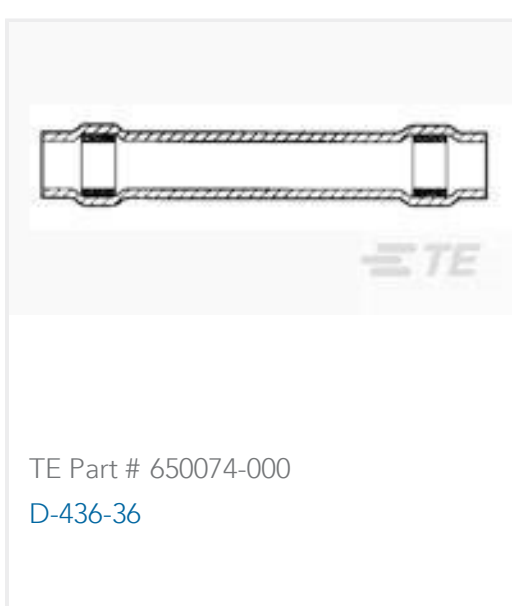
Solder Process Capability

Not applicable for solder process capability

Product Compliance Disclaimer

This information is provided based on reasonable inquiry of our suppliers and represents our current actual knowledge based on the information they provided. This information is subject to change. The part numbers that TE has identified as EU RoHS compliant have a maximum concentration of 0.1% by weight in homogenous materials for lead, hexavalent chromium, mercury, PBB, PBDE, DBP, BBP, DEHP, DIBP, and 0.01% for cadmium, or qualify for an exemption to these limits as defined in the Annexes of Directive 2011/65/EU (RoHS2). Finished electrical and electronic equipment products will be CE marked as required by Directive 2011/65/EU. Components may not be CE marked. Additionally, the part numbers that TE has identified as EU ELV compliant have a maximum concentration of 0.1% by weight in homogenous materials for lead, hexavalent chromium, and mercury, and 0.01% for cadmium, or qualify for an exemption to these limits as defined in the Annexes of Directive 2000/53/EC (ELV). Regarding the REACH Regulation, the information TE provides on SVHC in articles for this part number is based on the latest European Chemicals Agency (ECHA) 'Guidance on requirements for substances in articles' posted at this URL: <https://echa.europa.eu/guidance-documents/guidance-on-reach>

Compatible Parts



Customers Also Bought



Documents

Product Drawings

[44A0111-26-0](#)

English

Datasheets & Catalog Pages

[Raychem Wire and Cable Quick Reference Guide](#)

English