



DEUTSCH

TE Internal #: YE-UC-212086A-0000

TE Internal Description: RECEPTACLE, COMMUNICATION
COMMUTER

[View on TE.com >](#)

Connectors > Circular Connectors > Standard Circular Connectors



Number of Positions: 27

Connector System: **Cable-to-Cable**

Connector & Contact Terminates To: **Wire & Cable**

Contact Current Rating (Max): **30 A**

Circuit Application: **Signal**

Features

Electrical Characteristics

Operating Voltage	600 VAC
-------------------	---------

Usage Conditions

Fluid Resistance	Moisture/Spray
------------------	----------------

Packaging Features

Packaging Quantity	1
--------------------	---

Other

Field Serviceable	Yes
EU RoHS Compliance	Compliant with Exemptions
EU ELV Compliance	Compliant with Exemptions

Mechanical Attachment

Panel Mount Feature Type	Screw Nut
Connector Mounting Type	Panel Mount
Mating Alignment Type	Polarization
Mating Retention	With

Product Type Features

Prewired	No
Connector Product Type	Connector Assembly



Connector System	Cable-to-Cable
Connector & Contact Terminates To	Wire & Cable
Circular Connector Type	Receptacle
Shell Type	Metal

Configuration Features

Number of Positions	27
---------------------	----

Body Features

Shell Plating Material	Trivalent Chromium
Shell Base Material	Aluminum Alloy
Circular Connector Insulation Material Type	Low Fire Hazard Thermoplastic

Contact Features

Contact Current Rating (Max)	30 A
Reverse Gender	No
Circular Connector Contact Type	Pin

Dimensions

Wire Size	10 AWG, 12 AWG
-----------	----------------

Operation/Application

Circuit Application	Signal
Shielded	No

Product Compliance

[For compliance documentation, visit the product page on TE.com>](#)

EU RoHS Directive 2011/65/EU	Compliant with Exemptions
EU ELV Directive 2000/53/EC	Compliant with Exemptions
China RoHS 2 Directive MIIT Order No 32, 2016	Restricted Materials Above Threshold
EU REACH Regulation (EC) No. 1907/2006	Current ECHA Candidate List: JUNE 2024 (241) Candidate List Declared Against: JAN 2021 (211) SVHC > Threshold: Pb (2.5% in Brass alloy component) Pb (.15% in Aluminium alloy component)
Halogen Content	Not Low Halogen - contains Br or Cl > 900

Article Safe Usage Statements:
Do not eat, drink or smoke when using this product. Wash thoroughly after handling. Recycle if possible and dispose of the article by following all applicable governmental regulations relevant to your geographic location.

ppm.

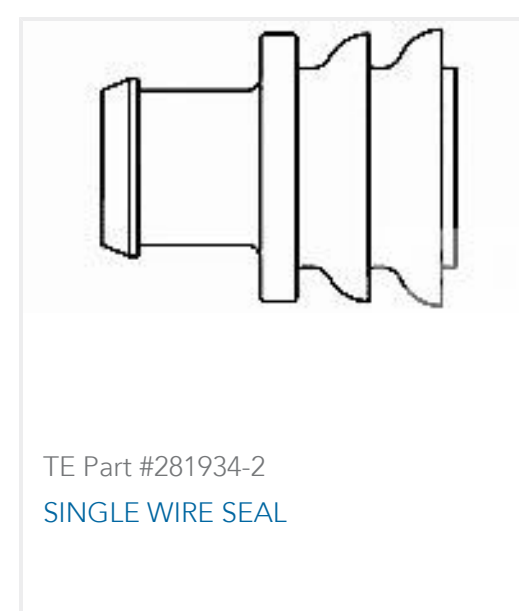
Solder Process Capability

Not applicable for solder process capability

Product Compliance Disclaimer

This information is provided based on reasonable inquiry of our suppliers and represents our current actual knowledge based on the information they provided. This information is subject to change. The part numbers that TE has identified as EU RoHS compliant have a maximum concentration of 0.1% by weight in homogenous materials for lead, hexavalent chromium, mercury, PBB, PBDE, DBP, BBP, DEHP, DIBP, and 0.01% for cadmium, or qualify for an exemption to these limits as defined in the Annexes of Directive 2011/65/EU (RoHS2). Finished electrical and electronic equipment products will be CE marked as required by Directive 2011/65/EU. Components may not be CE marked. Additionally, the part numbers that TE has identified as EU ELV compliant have a maximum concentration of 0.1% by weight in homogenous materials for lead, hexavalent chromium, and mercury, and 0.01% for cadmium, or qualify for an exemption to these limits as defined in the Annexes of Directive 2000/53/EC (ELV). Regarding the REACH Regulation, the information TE provides on SVHC in articles for this part number is based on the latest European Chemicals Agency (ECHA) 'Guidance on requirements for substances in articles' posted at this URL: <https://echa.europa.eu/guidance-documents/guidance-on-reach>

Customers Also Bought



Documents

Product Drawings

RECEPTACLE, COMMUNICATION COMMUTER

English

CAD Files

3D PDF

3D

Customer View Model

[ENG_CVM_CVM_YE-UC-212086A-0000_E.2d_dxf.zip](#)

English

Customer View Model



[ENG_CVM_CVM_YE-UC-212086A-0000_E.3d_igs.zip](#)

English

Customer View Model

[ENG_CVM_CVM_YE-UC-212086A-0000_E.3d_stp.zip](#)

English

By downloading the CAD file I accept and agree to the [Terms and Conditions](#) of use.

Datasheets & Catalog Pages

[MU27P Connect Series Flyer](#)

English

Product Specifications

[Product Specification](#)

English

Instruction Sheets

[Instruction Sheet \(U.S.\)](#)

English

[Instruction Sheet \(U.S.\)](#)

English

[Instruction Sheet \(U.S.\)](#)

English