



DEUTSCH | DEUTSCH 369

TE Internal #: YD369-P66-DS000000

6 Position, Plug, Connector Assembly, Crimp, Wire-to-Wire, Normal, 2.54 mm [.1 in] Centerline, 2 Row, 400 VAC, Sealable, Wire & Cable, DEUTSCH 369

[View on TE.com >](#)

Connectors > Rectangular Connectors > Standard Rectangular Connectors > Rectangular Connectors: 6-Way Plug



Connector Product Type: **Connector Assembly**

Connector & Housing Type: **Plug**

Mating Alignment: **With**

Mating Alignment Type: **Keyed**

Mating Retention: **With**

[All Rectangular Connectors: 6-Way Plug \(23\)](#)

Features

Product Type Features

| | |
|-----------------------------------|--------------------|
| Connector Seal & Plug Type | Triple-Seal |
| Connector Shell Size | 06 |
| Connector Product Type | Connector Assembly |
| Connector & Housing Type | Plug |
| Connector System | Wire-to-Wire |
| Insertion Force Type | Normal |
| Sealable | Yes |
| Connector & Contact Terminates To | Wire & Cable |

Configuration Features

| | |
|----------------------------|-----|
| Number of Columns | 3 |
| Number of Cavities | 6 |
| Contacts Preloaded | Yes |
| Number of Positions | 6 |
| Number of Rows | 2 |
| Number of Power Positions | 6 |
| Number of Signal Positions | 6 |



Electrical Characteristics

| | |
|-------------------|---------|
| Operating Voltage | 500 VDC |
|-------------------|---------|

Body Features

| | |
|-------------------------|--------------------------------|
| Connector & Keying Code | D |
| Connector Seal Color | Natural |
| Seal Material | Fluorosilicone |
| Seal Type | Grommet Seal, Interfacial Seal |
| Primary Product Color | Yellow |
| Cable Exit Angle | 180 ° |

Contact Features

| | |
|----------------------------------|---------|
| Contact Size | Size 22 |
| Contact Retention Within Housing | With |
| Contact Current Rating (Max) | 5 A |
| Contact Type | Socket |

Termination Features

| | |
|------------------------------------|-------|
| Termination Method to Wire & Cable | Crimp |
|------------------------------------|-------|

Mechanical Attachment

| | |
|-----------------------|--------------|
| Mating Alignment | With |
| Mating Alignment Type | Keyed |
| Mating Retention | With |
| Mating Retention Type | Button Latch |

Housing Features

| | |
|--------------------|-----------------|
| Shell Material | Composite |
| Centerline (Pitch) | 2.54 mm [.1 in] |
| Housing Material | Composite |

Dimensions

| | |
|--------------------------------------|--------------------------------|
| Row-to-Row Spacing | 2.54 mm [.1 in] |
| Compatible Insulation Diameter Range | .71 – 1.37 mm [.028 – .054 in] |

Usage Conditions

| | |
|-----------------------------|-----------------------------|
| Operating Temperature Range | -55 – 175 °C [-67 – 347 °F] |
|-----------------------------|-----------------------------|

Operation/Application

| | |
|----------|----|
| Shielded | No |
|----------|----|



Circuit Application

Power & Signal

Product Compliance

[For compliance documentation, visit the product page on TE.com>](#)

EU RoHS Directive 2011/65/EU

Compliant

EU ELV Directive 2000/53/EC

Compliant

China RoHS 2 Directive MIIT Order No 32, 2016

有害物质含量符合标准要求 No Restricted Substance(s) Above Threshold

EU REACH Regulation (EC) No. 1907/2006

Current ECHA Candidate List: JUNE 2025 (250)
 Candidate List Declared Against: JUNE 2025 (250)
 SVHC > Threshold:
 Dodecamethylcyclhexasiloxane (D6) (1% in Component Part)
 Octamethylcyclotetrasiloxane (D4) (1% in Component Part)
 Decamethylcyclopentasiloxane (D5) (5% in Component Part)

Article Safe Usage Statements:
 Wash thoroughly after handling. Recycle if possible and dispose of the article by following all applicable governmental regulations relevant to your geographic location.

Halogen Content

Low Halogen - Br, Cl, F < 900 ppm per homogenous material. Also BFR/CFR/PVC Free

Solder Process Capability

Reflow solder capable to 245°C

Product Compliance Disclaimer

This information is provided based on reasonable inquiry of our suppliers and represents our current actual knowledge based on the information they provided. This information is subject to change. The part numbers that TE has identified as EU RoHS compliant have a maximum concentration of 0.1% by weight in homogenous materials for lead, hexavalent chromium, mercury, PBB, PBDE, DBP, BBP, DEHP, DIBP, and 0.01% for cadmium, or qualify for an exemption to these limits as defined in the Annexes of Directive 2011/65/EU (RoHS2). Finished electrical and electronic equipment products will be CE marked as required by Directive 2011/65/EU. Components may not be CE marked. Additionally, the part numbers that TE has identified as EU ELV compliant have a maximum concentration of 0.1% by weight in homogenous materials for lead, hexavalent chromium, and mercury, and 0.01% for cadmium, or qualify for an exemption to these limits as defined in the Annexes of Directive 2000/53/EC (ELV). Regarding the REACH Regulation, the information TE provides on SVHC in articles for this part number is based on the latest European Chemicals Agency (ECHA) 'Guidance on requirements for substances in articles' posted at this URL: <https://echa.europa.eu/guidance-documents/guidance-on-reach>

Compatible Parts



TE Part # YD369-R66-DP000000
369 6 WAY REC, NO CONTACTS, PIN



TE Part # YD369-B66-DP500000
369 6 WAY PANEL MOUNT REC,90 PCB TIN,PIN



TE Part # YD369-B66-DP400000
369 6 WAY PANEL MNT REC,90 PCB GOLD, PIN



TE Part # CAT-D369-G66
PCB Mount Receptacle: 6-Way Inline GOLD, PIN

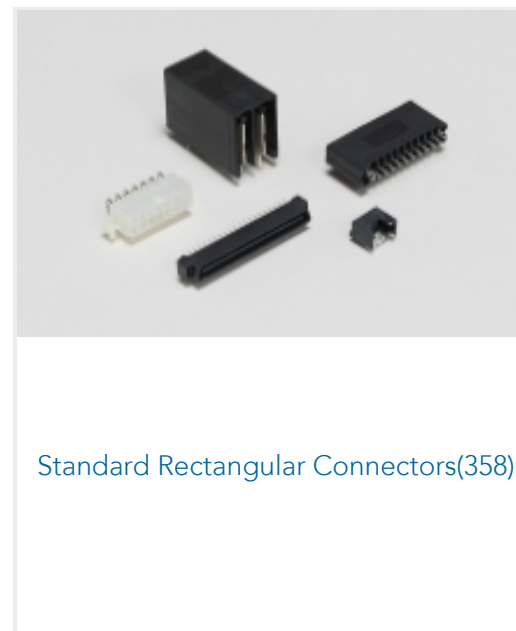
Also in the Series | DEUTSCH 369



PCB Headers & Receptacles(91)



Rectangular Power Connectors(403)



Standard Rectangular Connectors(358)



Wire-to-Board Headers & Receptacles (91)

Customers Also Bought



TE Part #CW4703-000
55PC1233-22-2/4/6-9



TE Part #C51397-000
PVF-165051-25-9



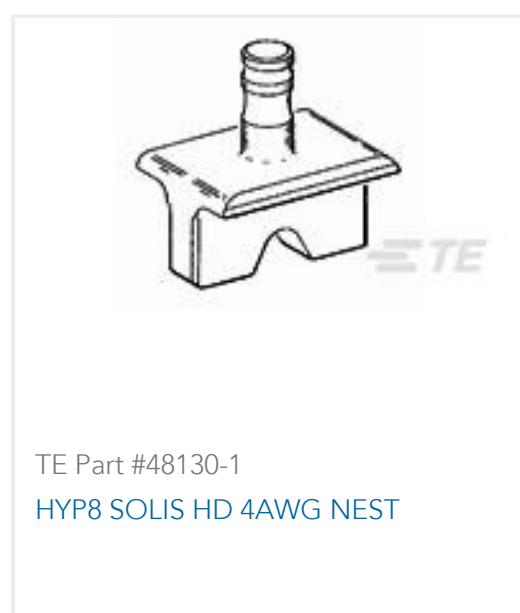
TE Part #133667-000
HEX41-AC-00-13-A3-2



TE Part #YD369-HR66-AP000000
369 HARSH 6 WAY REC, PIN - BACC65CR2PA



TE Part #ZPF000000000015180
DMC-M 04-12 AAE



TE Part #48130-1
HYP8 SOLIS HD 4AWG NEST



TE Part #882513-000
55A1211-10-9-9

Documents

Product Drawings

[369 6 WAY PLUG, NO CONTACTS, SKT](#)

English

[369 6 WAY PLUG, NO CONTACTS, SKT](#)

English

CAD Files



3D PDF

3D

Customer View Model

[ENG_CVM_CVM_YD369-P66-DS000000_1.2d_dxf.zip](#)

English

Customer View Model

[ENG_CVM_CVM_YD369-P66-DS000000_1.3d_igs.zip](#)

English

Customer View Model

[ENG_CVM_CVM_YD369-P66-DS000000_1.3d_stp.zip](#)

English

By downloading the CAD file I accept and agree to the [Terms and Conditions](#) of use.

Product Specifications

[Product Specification](#)

English