

# D369-B66-NP4 ✓ ACTIVE

DEUTSCH | DEUTSCH 369

TE Internal #: YD369-B66-NP400000

PCB Mount Receptacle, Right Angle, Wire-to-Board, 6 Position, 2.54 mm [.1 in] Centerline, Gold (Au), Through Hole - Solder, Sealable, DEUTSCH 369

[View on TE.com >](#)



Connectors > PCB Connectors > PCB Headers & Receptacles



PCB Connector Type: **PCB Mount Receptacle**

PCB Mount Orientation: **Right Angle**

Connector System: **Wire-to-Board**

Number of Positions: **6**

Centerline (Pitch): **2.54 mm [.1 in]**

## Features

### Product Type Features

Connector Shape	Rectangular
PCB Connector Type	PCB Mount Receptacle
Connector System	Wire-to-Board
Sealable	Yes
Connector & Contact Terminates To	Printed Circuit Board
Connector Product Type	Connector Assembly

### Configuration Features

Number of Columns	3
PCB Mount Orientation	Right Angle
Number of Positions	6
Number of Rows	2
Number of Power Positions	6
Number of Signal Positions	6

### Electrical Characteristics

Operating Voltage	500 VDC
-------------------	---------

### Body Features

Connector & Keying Code	N
-------------------------	---

Primary Product Color	Black
-----------------------	-------

### Contact Features

Contact Size	Size 22
Contact Base Material	Copper Alloy
Contact Mating Area Plating Material	Gold (Au)
Contact Type	Pin
Contact Current Rating (Max)	5 A
PCB Contact Termination Area Plating Material	Gold

### Termination Features

Termination Post & Tail Length	3.1 mm[.122 in]
Termination Method to PCB	Through Hole - Solder

### Mechanical Attachment

Mating Retention Type	Button Latch
Panel Mount Feature Type	Clip, Mounting Hole
PCB Mount Retention Type	Guide Post
Mating Alignment Type	Keyed
PCB Mount Alignment Type	Solder Tail Layout
PCB Mount Alignment	With
Mating Retention	With
PCB Mount Retention	With
Connector Mounting Type	Panel Mount
Mating Alignment	With

### Housing Features

Centerline (Pitch)	2.54 mm[.1 in]
Housing Material	Thermoplastic

### Dimensions

Row-to-Row Spacing	2.54 mm[.1 in]
PCB Thickness (Recommended)	1.6 mm[.063 in]

### Usage Conditions

Operating Temperature (Max)	175 °C[347 °F]
Operating Temperature Range	-55 – 175 °C[-67 – 347 °F]

### Operation/Application



Shielded	No
----------	----

Circuit Application	Power & Signal
---------------------	----------------

**Packaging Features**

Packaging Quantity	1
--------------------	---

Packaging Method	Package
------------------	---------

**Product Compliance**

[For compliance documentation, visit the product page on TE.com>](#)

EU RoHS Directive 2011/65/EU	Compliant with Exemptions
------------------------------	---------------------------

EU ELV Directive 2000/53/EC	Compliant with Exemptions
-----------------------------	---------------------------

China RoHS 2 Directive MIIT Order No 32, 2016	有害物质含量超出标准 Restricted Substance(s) Above Threshold
---	--

EU REACH Regulation (EC) No. 1907/2006	<p>Current ECHA Candidate List: JUNE 2025 (250)                  Candidate List Declared Against: JAN 2025 (247)                  SVHC &gt; Threshold:                  Pb (1.2% in Contact)</p> <p><b>Article Safe Usage Statements:</b>                  Do not eat, drink or smoke when using this product. Wash thoroughly after handling. Recycle if possible and dispose of the article by following all applicable governmental regulations relevant to your geographic location.</p>
--	--

Halogen Content	Not Yet Reviewed for halogen content
-----------------	--------------------------------------

Solder Process Capability	Reflow solder capable to 245°C
---------------------------	--------------------------------

Product Compliance Disclaimer

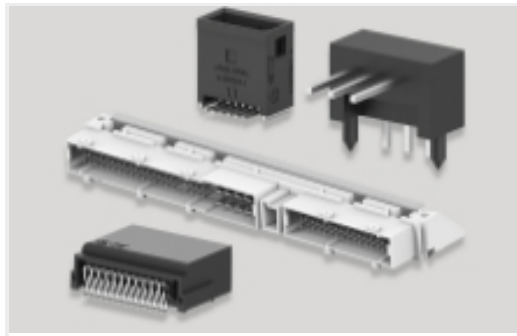
This information is provided based on reasonable inquiry of our suppliers and represents our current actual knowledge based on the information they provided. This information is subject to change. The part numbers that TE has identified as EU RoHS compliant have a maximum concentration of 0.1% by weight in homogenous materials for lead, hexavalent chromium, mercury, PBB, PBDE, DBP, BBP, DEHP, DIBP, and 0.01% for cadmium, or qualify for an exemption to these limits as defined in the Annexes of Directive 2011/65/EU (RoHS2). Finished electrical and electronic equipment products will be CE marked as required by Directive 2011/65/EU. Components may not be CE marked. Additionally, the part numbers that TE has identified as EU ELV compliant have a maximum concentration of 0.1% by weight in homogenous materials for lead, hexavalent chromium, and mercury, and 0.01% for cadmium, or qualify for an exemption to these limits as defined in the Annexes of Directive 2000/53/EC (ELV). Regarding the REACH Regulation, the information TE provides on SVHC in articles for this part number is based on the latest European Chemicals Agency (ECHA) 'Guidance on requirements for substances in articles' posted at this URL: <https://echa.europa.eu/guidance-documents/guidance-on-reach>

**Compatible Parts**



TE Part # D369-P66-NS0  
369 6 WAY PLUG, NO CONTACTS,  
SKT

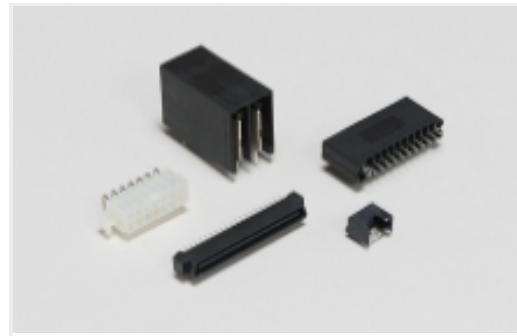
### Also in the Series | DEUTSCH 369



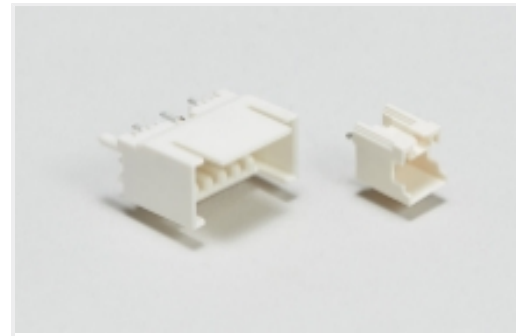
PCB Headers & Receptacles(91)



Rectangular Power Connectors(403)



Standard Rectangular Connectors(358)



Wire-to-Board Headers & Receptacles  
(91)

### Customers Also Bought



TE Part #D369-P66-NS0  
369 6 WAY PLUG, NO CONTACTS,  
SKT



TE Part #D369-STB-6  
369 6 WAY BACKSHELL STRAIGHT  
TIE WRAP



TE Part #D369-R66-NP0  
369 6 WAY REC, NO CONTACTS, PIN



TE Part #ZPF000000000015306  
DMC-M 20-22 PN



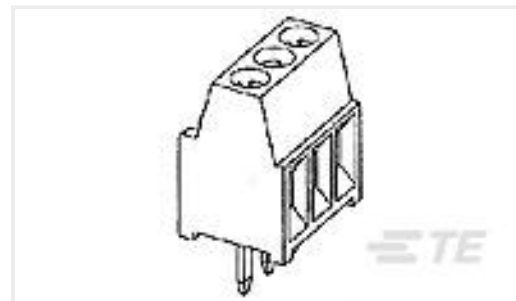
TE Part #ZPF000000000003589  
724-0001-08



TE Part #323975  
SPLICE, BUTT, PIDG, 24-20



TE Part #1-338168-2  
9POL HDP20 PLUG



TE Part #1546551-4  
4P,STRAIGHT,SIDE ENTRY,3.5MM



TE Part #1734248-5  
1.0 FPC, ZIF V/T, SMT, 5P



TE Part #1-1879417-9  
CPF 0603 1M0 0.1% 25PPM 1K RL



## Documents

### Product Drawings

[369 6 WAY PANEL MNT REC, 90 PCB GOLD,PIN](#)

English

[369 6 WAY PANEL MNT REC, 90 PCB GOLD,PIN](#)

English

---

### CAD Files

[3D PDF](#)

3D

Customer View Model

[ENG\\_CVM\\_CVM\\_YD369-B66-NP400000\\_AA.2d\\_dxf.zip](#)

English

Customer View Model

[ENG\\_CVM\\_CVM\\_YD369-B66-NP400000\\_AA.3d\\_igs.zip](#)

English

Customer View Model

[ENG\\_CVM\\_CVM\\_YD369-B66-NP400000\\_AA.3d\\_stp.zip](#)

English

By downloading the CAD file I accept and agree to the [Terms and Conditions](#) of use.