

CIRH03T40A60SCNF80M32V0 × OBSOLETE

TE Internal #: Y5015-000000100154

TE Internal Description: FIXED SOCKET CONNECTOR

[View on TE.com >](#)



Connectors > Circular Connectors > Standard Circular Connectors



Number of Positions: **60**

Connector System: **Cable-to-Cable, Wire-to-Wire**

Connector & Contact Terminates To: **Wire & Cable**

Circuit Application: **Power & Signal**

Connector Mounting Type: **Panel Mount**

Features

Usage Conditions

IP Water Sealing Level	IP67
------------------------	------

Packaging Features

Packaging Quantity	10
--------------------	----

Other

Field Serviceable	Yes
-------------------	-----

Position Locations Omitted	All
----------------------------	-----

EU RoHS Compliance	Compliant with Exemptions
--------------------	---------------------------

Body Features

Primary Product Color	Black
-----------------------	-------

Shell Plating Material	Black Chromate Over Zn Cobalt
------------------------	-------------------------------

Shell Base Material	Aluminum Alloy
---------------------	----------------

Circular Connector Insulation Material Type	Low Fire Hazard Rubber
---	------------------------

Mechanical Attachment

Panel Mount Feature Type	Square Flange
--------------------------	---------------

Mating Retention Type	Bayonet
-----------------------	---------

Mating Alignment	With
------------------	------

Connector Mounting Type	Panel Mount
-------------------------	-------------

Mating Alignment Type	Keyed
-----------------------	-------

Mating Retention	With
------------------	------

Product Type Features

Prewired	No
Connector Product Type	Connector Assembly
Connector System	Cable-to-Cable, Wire-to-Wire
Connector & Contact Terminates To	Wire & Cable
Circular Connector Type	Receptacle
Shell Type	Metal

Configuration Features

Factory Installed Backshell	Without
Number of Positions	60
Contacts Preloaded	No

Contact Features

Reverse Gender	Yes
Contact Layout Arrangement	40 – A60
Circular Connector Contact Type	Socket

Housing Features

Circular Connector Shell Size	40
-------------------------------	----

Operation/Application

Circuit Application	Power & Signal
Shielded	Yes

Product Compliance

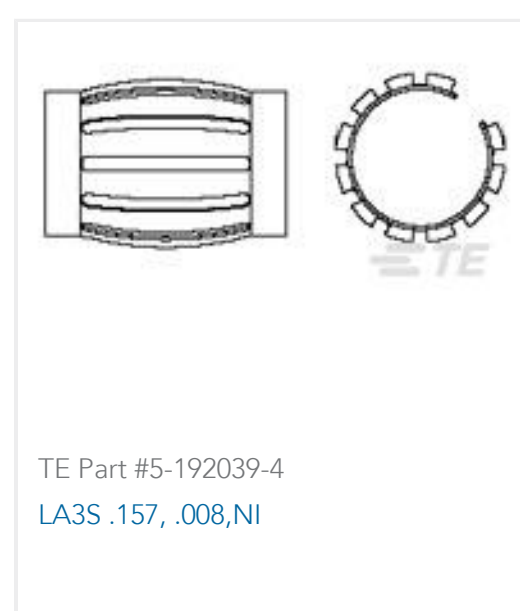
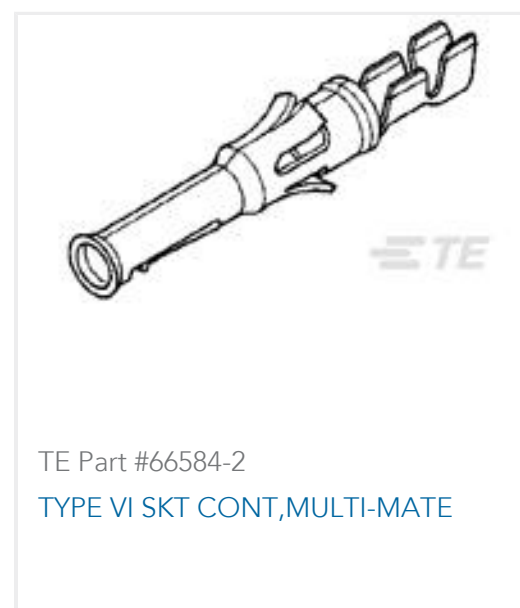
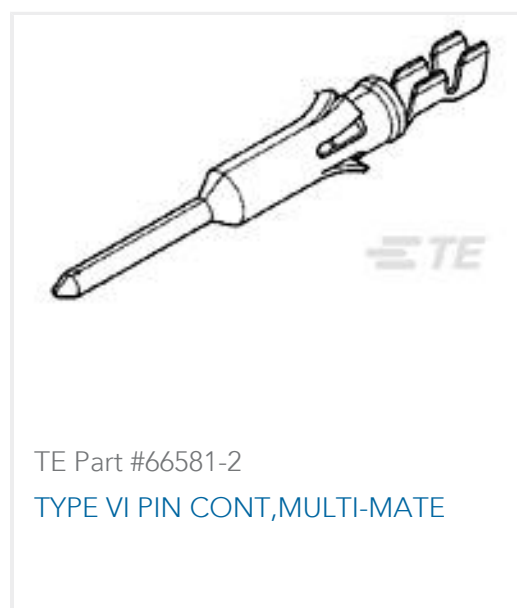
[For compliance documentation, visit the product page on TE.com>](#)

EU RoHS Directive 2011/65/EU	Compliant with Exemptions
EU ELV Directive 2000/53/EC	Not Yet Reviewed
China RoHS 2 Directive MIIT Order No 32, 2016	Restricted Materials Above Threshold
EU REACH Regulation (EC) No. 1907/2006	Current ECHA Candidate List: JUNE 2024 (241) Candidate List Declared Against: JUL 2017 (174) SVHC > Threshold: Not Yet Reviewed
Halogen Content	Not Yet Reviewed for halogen content
Solder Process Capability	Not applicable for solder process capability

Product Compliance Disclaimer

This information is provided based on reasonable inquiry of our suppliers and represents our current actual knowledge based on the information they provided. This information is subject to change. The part numbers that TE has identified as EU RoHS compliant have a maximum concentration of 0.1% by weight in homogenous materials for lead, hexavalent chromium, mercury, PBB, PBDE, DBP, BBP, DEHP, DIBP, and 0.01% for cadmium, or qualify for an exemption to these limits as defined in the Annexes of Directive 2011/65/EU (RoHS2). Finished electrical and electronic equipment products will be CE marked as required by Directive 2011/65/EU. Components may not be CE marked. Additionally, the part numbers that TE has identified as EU ELV compliant have a maximum concentration of 0.1% by weight in homogenous materials for lead, hexavalent chromium, and mercury, and 0.01% for cadmium, or qualify for an exemption to these limits as defined in the Annexes of Directive 2000/53/EC (ELV). Regarding the REACH Regulations, TE's information on SVHC in articles for this part number is still based on the European Chemical Agency (ECHA) 'Guidance on requirements for substances in articles' (Version: 2, April 2011), applying the 0.1% weight on weight concentration threshold at the finished product level. TE is aware of the European Court of Justice ruling of September 10th, 2015 also known as O5A (Once An Article Always An Article) stating that, in case of 'complex object', the threshold for a SVHC must be applied to both the product as a whole and simultaneously to each of the articles forming part of its composition. TE has evaluated this ruling based on the new ECHA "Guidance on requirements for substances in articles" (June 2017, version 4.0) and will be updating its statements accordingly.

Customers Also Bought



Documents

Product Drawings

FIXED SOCKET CONNECTOR

French



Datasheets & Catalog Pages

[CIRH Brochure](#)

English

Product Specifications

[Application Specification](#)

French