



Connectors > Circular Connectors > Standard Circular Connectors



Number of Positions: **22**

Connector System: **Cable-to-Cable, Wire-to-Wire**

Connector & Contact Terminates To: **Wire & Cable**

Circuit Application: **Power & Signal**

Connector Mounting Type: **Panel Mount**

## Features

### Usage Conditions

IP Water Sealing Level	IP67
------------------------	------

### Packaging Features

Packaging Quantity	10
--------------------	----

### Other

Field Serviceable	Yes
Position Locations Omitted	All
EU RoHS Compliance	Compliant with Exemptions

### Body Features

Primary Product Color	Black
Shell Plating Material	Black Chromate Over Zn Cobalt
Shell Base Material	Aluminum Alloy
Circular Connector Insulation Material Type	Low Fire Hazard Rubber

### Mechanical Attachment

Panel Mount Feature Type	Square Flange
Panel Mount Feature	With
Mating Retention Type	Bayonet
Mating Alignment	With
Connector Mounting Type	Panel Mount
Mating Alignment Type	Keyed

Mating Retention	With
------------------	------

### Product Type Features

Prewired	No
Connector Product Type	Connector Assembly
Connector System	Cable-to-Cable, Wire-to-Wire
Connector & Contact Terminates To	Wire & Cable
Circular Connector Type	Receptacle
Shell Type	Metal

### Configuration Features

Factory Installed Backshell	Without
Number of Positions	22
Contacts Preloaded	No

### Contact Features

Reverse Gender	Yes
Contact Layout Arrangement	36 – A22
Circular Connector Contact Type	Pin

### Housing Features

Circular Connector Shell Size	36
-------------------------------	----

### Operation/Application

Circuit Application	Power & Signal
Shielded	Yes

## Product Compliance

[For compliance documentation, visit the product page on TE.com>](#)

EU RoHS Directive 2011/65/EU	Compliant with Exemptions
EU ELV Directive 2000/53/EC	Not Yet Reviewed
China RoHS 2 Directive MIIT Order No 32, 2016	Restricted Materials Above Threshold
EU REACH Regulation (EC) No. 1907/2006	<p>Current ECHA Candidate List: JUNE 2024 (241)</p> <p>Candidate List Declared Against: JAN 2021 (211)</p> <p>SVHC &gt; Threshold:</p> <p>Pb (.15% in Aluminium alloy component)</p> <p><b>Article Safe Usage Statements:</b> Do not eat, drink or smoke when using this product. Wash thoroughly after handling. Recycle if possible and dispose of the article by following all applicable governmental regulations relevant to your geographic location.</p>

Halogen Content

Not Yet Reviewed for halogen content

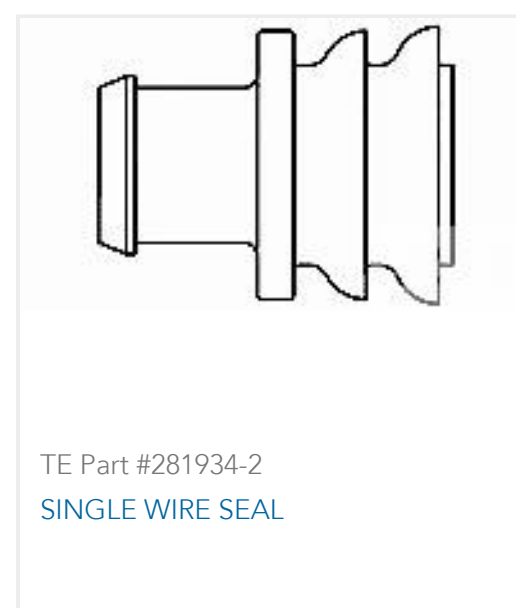
Solder Process Capability

Not applicable for solder process capability

## Product Compliance Disclaimer

This information is provided based on reasonable inquiry of our suppliers and represents our current actual knowledge based on the information they provided. This information is subject to change. The part numbers that TE has identified as EU RoHS compliant have a maximum concentration of 0.1% by weight in homogenous materials for lead, hexavalent chromium, mercury, PBB, PBDE, DBP, BBP, DEHP, DIBP, and 0.01% for cadmium, or qualify for an exemption to these limits as defined in the Annexes of Directive 2011/65/EU (RoHS2). Finished electrical and electronic equipment products will be CE marked as required by Directive 2011/65/EU. Components may not be CE marked. Additionally, the part numbers that TE has identified as EU ELV compliant have a maximum concentration of 0.1% by weight in homogenous materials for lead, hexavalent chromium, and mercury, and 0.01% for cadmium, or qualify for an exemption to these limits as defined in the Annexes of Directive 2000/53/EC (ELV). Regarding the REACH Regulation, the information TE provides on SVHC in articles for this part number is based on the latest European Chemicals Agency (ECHA) 'Guidance on requirements for substances in articles' posted at this URL: <https://echa.europa.eu/guidance-documents/guidance-on-reach>

## Customers Also Bought



## Documents

## Product Drawings

FIXED PIN CONNECTOR

French

## Datasheets &amp; Catalog Pages

CIRH Brochure

English

## Product Specifications

Application Specification

French

