

CIRHSE06T40A60PCNF80M32V0 × OBSOLETE

TE Internal #: Y5015-000000100033

TE Internal Description: FREE PIN CONNECTOR

Plug with RFI Grounding - Male - CIRH

[View on TE.com >](#)



Connectors > Circular Connectors > Standard Circular Connectors > Plug with RFI Grounding - Male - CIRH



Number of Positions: **60**

Connector System: **Cable-to-Cable, Wire-to-Wire**

Connector & Contact Terminates To: **Wire & Cable**

Circuit Application: **Power & Signal**

Reverse Gender: **Yes**

[All Plug with RFI Grounding - Male - CIRH \(0\)](#)

Features

Usage Conditions

| | |
|------------------------|------|
| IP Water Sealing Level | IP67 |
|------------------------|------|

Packaging Features

| | |
|--------------------|----|
| Packaging Quantity | 10 |
|--------------------|----|

Other

| | |
|-------------------|-----|
| Field Serviceable | Yes |
|-------------------|-----|

| | |
|----------------------------|-----|
| Position Locations Omitted | All |
|----------------------------|-----|

| | |
|--------------------|---------------------------|
| EU RoHS Compliance | Compliant with Exemptions |
|--------------------|---------------------------|

Mechanical Attachment

| | |
|-----------------------|---------|
| Mating Retention Type | Bayonet |
|-----------------------|---------|

| | |
|------------------|------|
| Mating Alignment | With |
|------------------|------|

| | |
|-----------------------|-------|
| Mating Alignment Type | Keyed |
|-----------------------|-------|

| | |
|------------------|------|
| Mating Retention | With |
|------------------|------|

Body Features

| | |
|-----------------------|-------|
| Primary Product Color | Black |
|-----------------------|-------|

| | |
|------------------------|-------------------------------|
| Shell Plating Material | Black Chromate Over Zn Cobalt |
|------------------------|-------------------------------|

| | |
|---------------------|----------------|
| Shell Base Material | Aluminum Alloy |
|---------------------|----------------|

| | |
|---|------------------------|
| Circular Connector Insulation Material Type | Low Fire Hazard Rubber |
|---|------------------------|

Product Type Features

| | |
|-----------------------------------|------------------------------|
| Prewired | No |
| Connector Product Type | Connector Assembly |
| Connector System | Cable-to-Cable, Wire-to-Wire |
| Connector & Contact Terminates To | Wire & Cable |
| Circular Connector Type | Plug |
| Shell Type | Metal |

Configuration Features

| | |
|-----------------------------|---------|
| Factory Installed Backshell | Without |
| Number of Positions | 60 |
| Contacts Preloaded | No |

Contact Features

| | |
|---------------------------------|----------|
| Reverse Gender | Yes |
| Contact Layout Arrangement | 40 – A60 |
| Circular Connector Contact Type | Pin |

Housing Features

| | |
|-------------------------------|----|
| Circular Connector Shell Size | 40 |
|-------------------------------|----|

Operation/Application

| | |
|---------------------|----------------|
| Circuit Application | Power & Signal |
| Shielded | Yes |

Product Compliance

[For compliance documentation, visit the product page on TE.com>](#)

| | |
|---|--|
| EU RoHS Directive 2011/65/EU | Compliant with Exemptions |
| EU ELV Directive 2000/53/EC | Not Yet Reviewed |
| China RoHS 2 Directive MIIT Order No 32, 2016 | Restricted Materials Above Threshold |
| EU REACH Regulation (EC) No. 1907/2006 | Current ECHA Candidate List: JUNE 2024 (241) Candidate List Declared Against: JAN 2019 (197) Does not contain REACH SVHC |
| Halogen Content | Low Halogen - Br, Cl, F, I < 900 ppm per homogenous material. Also BFR/CFR/PVC Free |

Solder Process Capability

Not applicable for solder process capability

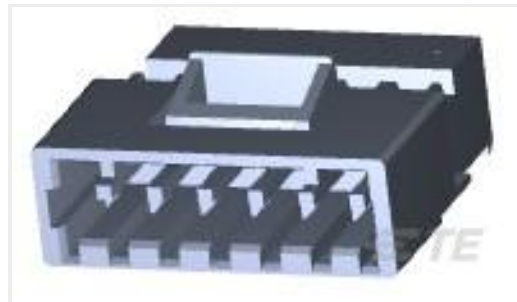
Product Compliance Disclaimer

This information is provided based on reasonable inquiry of our suppliers and represents our current actual knowledge based on the information they provided. This information is subject to change. The part numbers that TE has identified as EU RoHS compliant have a maximum concentration of 0.1% by weight in homogenous materials for lead, hexavalent chromium, mercury, PBB, PBDE, DBP, BBP, DEHP, DIBP, and 0.01% for cadmium, or qualify for an exemption to these limits as defined in the Annexes of Directive 2011/65/EU (RoHS2). Finished electrical and electronic equipment products will be CE marked as required by Directive 2011/65/EU. Components may not be CE marked. Additionally, the part numbers that TE has identified as EU ELV compliant have a maximum concentration of 0.1% by weight in homogenous materials for lead, hexavalent chromium, and mercury, and 0.01% for cadmium, or qualify for an exemption to these limits as defined in the Annexes of Directive 2000/53/EC (ELV). Regarding the REACH Regulation, the information TE provides on SVHC in articles for this part number is based on the latest European Chemicals Agency (ECHA) 'Guidance on requirements for substances in articles' posted at this URL: <https://echa.europa.eu/guidance-documents/guidance-on-reach>

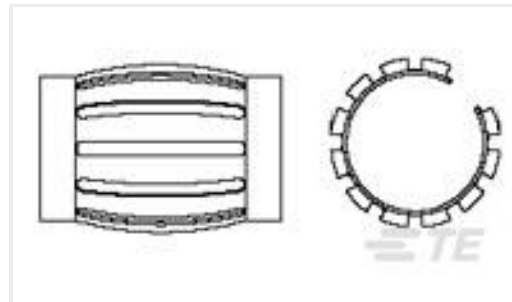
Customers Also Bought



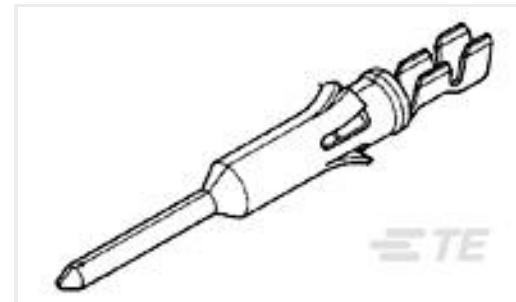
TE Part #8-34141-1
PG R 22-16 COMM 22-18 MIL 4



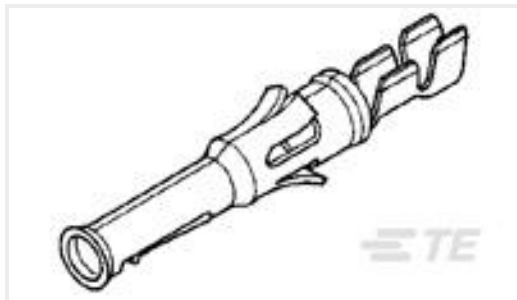
TE Part #3-641436-6
06P MTA156 PST CONN ASSY LF



TE Part #5-192039-4
LA3S .157, .008, NI



TE Part #66581-2
TYPE VI PIN CONT, MULTI-MATE



TE Part #66584-2
TYPE VI SKT CONT, MULTI-MATE



TE Part #2-6609115-4
6EGG1C-1 S0=F7384



TE Part #Y5015-000000100113
SIZE 16 SOCKET CONTACT



TE Part #Y5015-000000100111
SIZE 16 PIN CONTACT



TE Part #Y5015-000000100034
FREE SOCKET CONNECTOR



TE Part #Y5015-000000100154
FIXED SOCKET CONNECTOR

Documents

[Product Drawings](#)
[FREE PIN CONNECTOR](#)

French



Datasheets & Catalog Pages

[CIRH Brochure](#)

English

Product Specifications

[Application Specification](#)

French