

# CIRHSE06T2015SCNF80M32V0 × OBSOLETE

TE Internal #: Y5015-000000100014

TE Internal Description: FREE SOCKET CONNECTOR

Plug with RFI Grounding - Female - CIRH

[View on TE.com >](#)



Connectors > Circular Connectors > Standard Circular Connectors > Plug with RFI Grounding - Female - CIRH



Number of Positions: 7

Connector System: **Cable-to-Cable, Wire-to-Wire**

Connector & Contact Terminates To: **Wire & Cable**

Circuit Application: **Power & Signal**

Reverse Gender: **Yes**

[All Plug with RFI Grounding - Female - CIRH \(0\)](#)

## Features

### Usage Conditions

IP Water Sealing Level	IP67
------------------------	------

### Packaging Features

Packaging Quantity	10
--------------------	----

### Other

Field Serviceable	Yes
-------------------	-----

Position Locations Omitted	All
----------------------------	-----

EU RoHS Compliance	Compliant with Exemptions
--------------------	---------------------------

### Mechanical Attachment

Mating Retention Type	Bayonet
-----------------------	---------

Mating Alignment	With
------------------	------

Mating Alignment Type	Keyed
-----------------------	-------

Mating Retention	With
------------------	------

### Body Features

Primary Product Color	Black
-----------------------	-------

Shell Plating Material	Black Chromate Over Zn Cobalt
------------------------	-------------------------------

Shell Base Material	Aluminum Alloy
---------------------	----------------

Circular Connector Insulation Material Type	Low Fire Hazard Rubber
---	------------------------



### Product Type Features

Prewired	No
Connector Product Type	Connector Assembly
Connector System	Cable-to-Cable, Wire-to-Wire
Connector & Contact Terminates To	Wire & Cable
Circular Connector Type	Receptacle
Shell Type	Metal

### Configuration Features

Factory Installed Backshell	Without
Number of Positions	7
Contacts Preloaded	No

### Contact Features

Reverse Gender	Yes
Contact Layout Arrangement	20 – 15
Circular Connector Contact Type	Socket

### Housing Features

Circular Connector Shell Size	20
-------------------------------	----

### Operation/Application

Circuit Application	Power & Signal
Shielded	Yes

### Product Compliance

[For compliance documentation, visit the product page on TE.com>](#)

EU RoHS Directive 2011/65/EU	Compliant with Exemptions
EU ELV Directive 2000/53/EC	Not Yet Reviewed
China RoHS 2 Directive MIIT Order No 32, 2016	Restricted Materials Above Threshold
EU REACH Regulation (EC) No. 1907/2006	Current ECHA Candidate List: JUNE 2024 (241) Candidate List Declared Against: JAN 2021 (211) SVHC > Threshold: Pb (.15% in Aluminium alloy component) <b>Article Safe Usage Statements:</b> Do not eat, drink or smoke when using this product. Wash thoroughly after handling. Recycle if possible and dispose of the article by following all applicable governmental regulations relevant to your geographic location.
Halogen Content	Not Yet Reviewed for halogen content

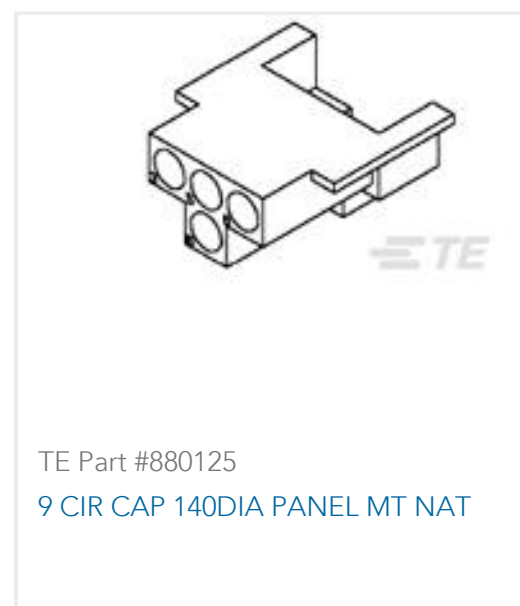
Solder Process Capability

Not applicable for solder process capability

## Product Compliance Disclaimer

This information is provided based on reasonable inquiry of our suppliers and represents our current actual knowledge based on the information they provided. This information is subject to change. The part numbers that TE has identified as EU RoHS compliant have a maximum concentration of 0.1% by weight in homogenous materials for lead, hexavalent chromium, mercury, PBB, PBDE, DBP, BBP, DEHP, DIBP, and 0.01% for cadmium, or qualify for an exemption to these limits as defined in the Annexes of Directive 2011/65/EU (RoHS2). Finished electrical and electronic equipment products will be CE marked as required by Directive 2011/65/EU. Components may not be CE marked. Additionally, the part numbers that TE has identified as EU ELV compliant have a maximum concentration of 0.1% by weight in homogenous materials for lead, hexavalent chromium, and mercury, and 0.01% for cadmium, or qualify for an exemption to these limits as defined in the Annexes of Directive 2000/53/EC (ELV). Regarding the REACH Regulation, the information TE provides on SVHC in articles for this part number is based on the latest European Chemicals Agency (ECHA) 'Guidance on requirements for substances in articles' posted at this URL: <https://echa.europa.eu/guidance-documents/guidance-on-reach>

## Customers Also Bought



## Documents

## Product Drawings

FREE SOCKET CONNECTOR

French

## Datasheets &amp; Catalog Pages

CIRH Brochure

English

## Product Specifications

Application Specification

French