



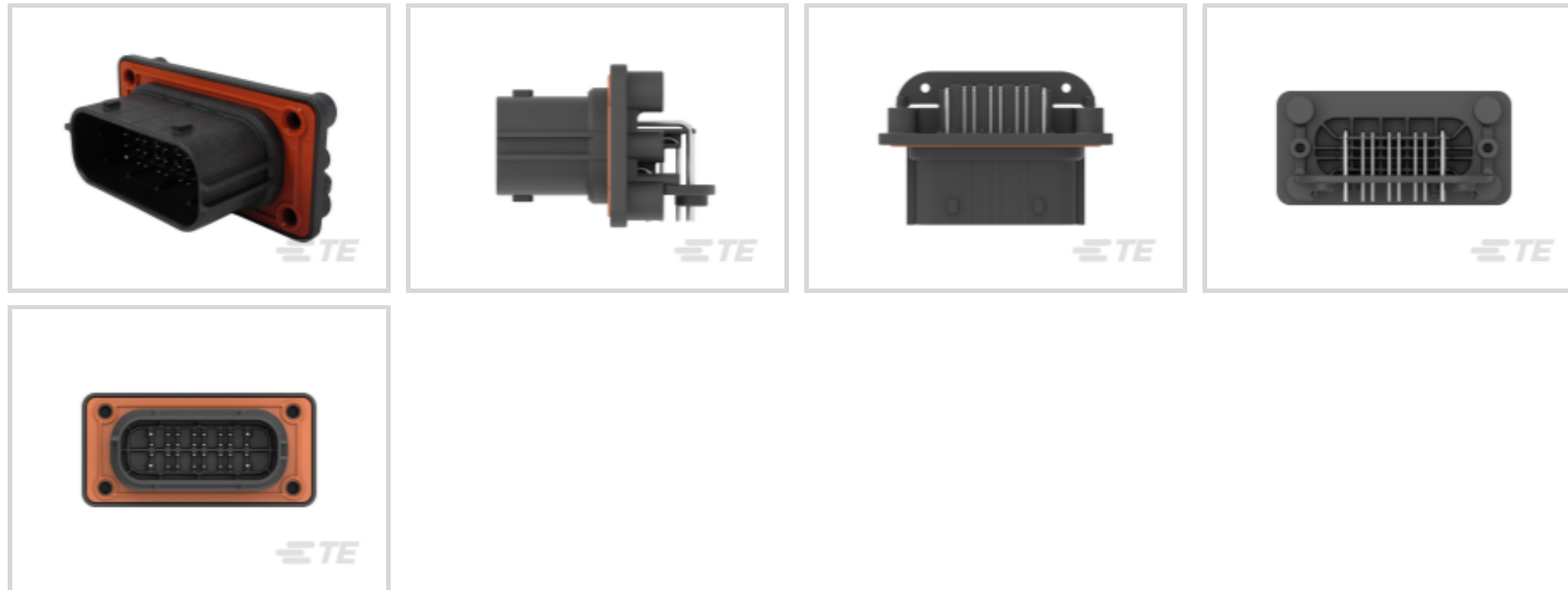
DEUTSCH | STRIKE

TE Internal #: SRK13-MDA-32A-001

Right Angle, Wire-to-Board, 32 Position, 4 Row, 3mm / 5.8mm / 6.1 mm [.118in / .134in / .24in] Centerline, Tin (Sn), Sealable, Wire & Cable, STRIKE

[View on TE.com >](#)

Automotive Parts > Automotive Connectors > Automotive Headers > DEUTSCH Strike Headers



PCB Mount Orientation: **Right Angle**

Contact Current Rating (Max): **7.5 A, 13 A**

Termination Method to PCB: **Through Hole - Solder**

Sealable: **Yes**

Centerline (Pitch): **3 mm, 3.4 mm, 5.8 mm, 6.1 mm [.118 in, .134 in, .228 in, .24 in]**

[All DEUTSCH Strike Headers \(10\)](#)

Features

Product Type Features

Connector Product Type	Connector Assembly
Mixed & Hybrid Header	Yes
Header Type	Fully Shrouded
Connector Shape	Rectangular
Sealable	Yes
Connector System	Wire-to-Board
Connector & Contact Terminates To	Wire & Cable

Configuration Features

Number of Signal Positions	32
Number of Sections	1
PCB Mount Orientation	Right Angle
Number of Positions	32
Number of Rows	4



Electrical Characteristics

Operating Voltage	250 VDC
Voltage Rating (Max)	250 VDC
Nominal Voltage Architecture	12 V, 24 V

Body Features

Connector & Keying Code	A
Primary Product Color	Black

Contact Features

Mating Pin Diameter	1.02 mm, 1.59 mm [.04 in][.063 in]
Contact Type	Pin
Contact Current Rating (Max)	7.5 A, 13 A
Contact Mating Area Plating Material	Tin (Sn)

Termination Features

Termination Method to PCB	Through Hole - Solder
---------------------------	-----------------------

Mechanical Attachment

Panel Mount Feature	With
Mating Retention Type	Locking Interface
PCB Mount Retention	With
Mounting Holes	With
Mating Alignment Type	Keyed
PCB Mount Retention Type	Mounting Screw
Mating Alignment	With
PCB Mount Alignment	With
Connector Mounting Type	Panel Mount

Housing Features

Centerline (Pitch)	3 mm, 3.4 mm, 5.8 mm, 6.1 mm [.118 in][.134 in][.228 in][.24 in]
--------------------	--

Dimensions

Connector Width	82.04 mm [3.23 in]
PCB Thickness (Recommended)	.78 – 3.18 mm [.031 – .125 in]
Connector Length	53.59 mm [2.11 in]
Profile Height from PCB	34.7 mm [1.366 in]



Usage Conditions

Operating Temperature (Max)	125 °C[257 °F]
Operating Temperature Range	-55 – 125 °C[-67 – 257 °F]

Operation/Application

Shielded	No
Circuit Application	Power & Signal

Industry Standards

IP Rating	Not Tested
UL Flammability Rating	Not Tested

Packaging Features

Packaging Quantity	48
Packaging Method	Box

Product Compliance

[For compliance documentation, visit the product page on TE.com>](#)

EU RoHS Directive 2011/65/EU	Compliant
EU ELV Directive 2000/53/EC	Compliant
China RoHS 2 Directive MIIT Order No 32, 2016	有害物质含量符合标准要求 No Restricted Substance(s) Above Threshold
EU REACH Regulation (EC) No. 1907/2006	Current ECHA Candidate List: JUNE 2025 (250) Candidate List Declared Against: JUNE 2025 (250) Does not contain REACH SVHC
Halogen Content	Not Low Halogen - contains Br or Cl > 900 ppm.
Solder Process Capability	Not reviewed for solder process capability

Product Compliance Disclaimer

This information is provided based on reasonable inquiry of our suppliers and represents our current actual knowledge based on the information they provided. This information is subject to change. The part numbers that TE has identified as EU RoHS compliant have a maximum concentration of 0.1% by weight in homogenous materials for lead, hexavalent chromium, mercury, PBB, PBDE, DBP, BBP, DEHP, DIBP, and 0.01% for cadmium, or qualify for an exemption to these limits as defined in the Annexes of Directive 2011/65/EU (RoHS2). Finished electrical and electronic equipment products will be CE marked as required by Directive 2011/65/EU. Components may not be CE marked. Additionally, the part numbers that TE has identified as EU ELV compliant have a maximum concentration of 0.1% by weight in homogenous materials for lead, hexavalent chromium, and mercury, and 0.01% for cadmium, or qualify for an exemption to these limits as defined in the Annexes of Directive 2000/53/EC (ELV). Regarding the REACH Regulation, the information TE provides on SVHC in articles for this part number is based on the latest European Chemicals Agency (ECHA) 'Guidance on requirements for substances in articles' posted at this URL: <https://echa.europa.eu/guidance-documents/guidance-on-reach>

Compatible Parts



TE Part # SRK13-MDB-32A-001
HDR, 32P, BLK, RA, SN/NI/CU, B



TE Part # SRK06-MDA-32A-001
PLG, 32P, BLK, E, A



TE Part # DT-RT1
EXT TOOL, FRONT RELEASE

Also in the Series | STRIKE



Automotive Headers(10)



Automotive Housings(20)

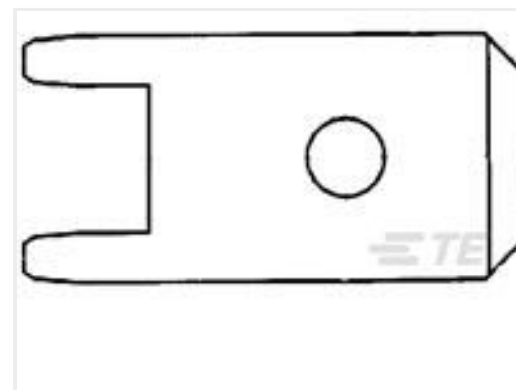
Customers Also Bought



TE Part #DT13-08PA
HDR, 8P, GRY, RA, NI/CU, A



TE Part #SRK13-MDB-32A-001
HDR, 32P, BLK, RA, SN/NI/CU, B



TE Part #170267-1
250 FASTON,PCB TAB,TCBR



TE Part #641967-1
04P UMNL PIN HDR ASSY POL NATL



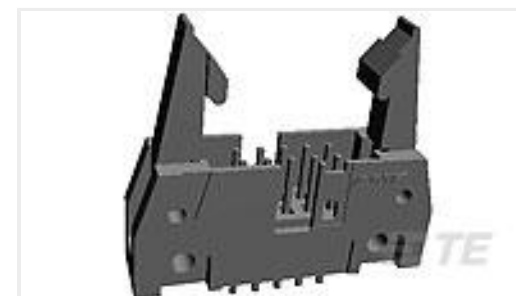
TE Part #3-1462037-4
IM05GR=IM RELAY 140mW 9V



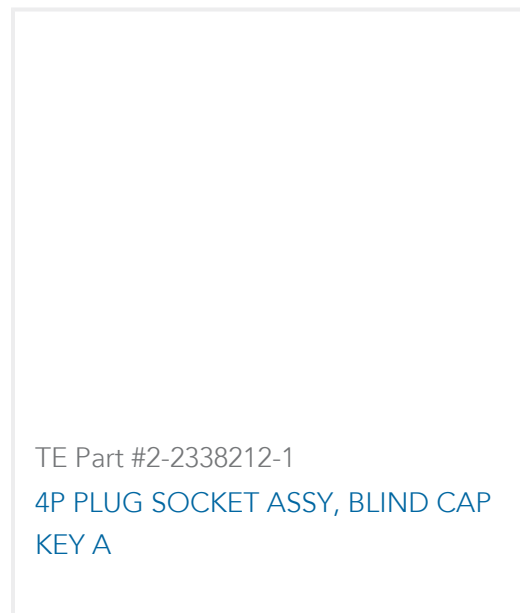
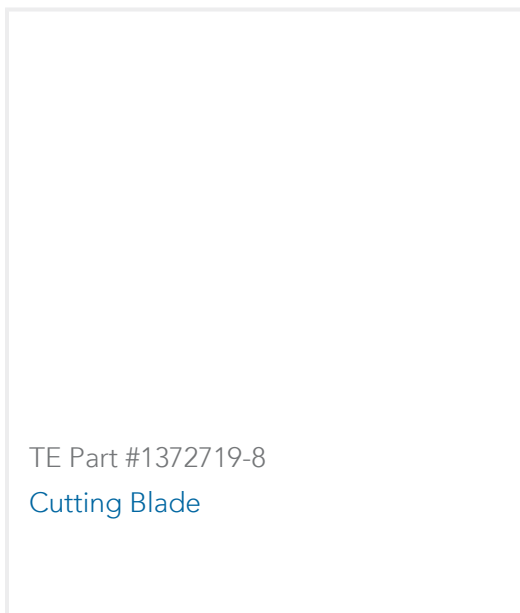
TE Part #1625971-5
HSA25 10R 5%



TE Part #2176312-7
RP 1E 0.1W 14K3 0.1% 25PPM 1K RL



TE Part #5499922-6
A/L UNIV HDR 26P VERT LAT



Documents

Product Drawings

HDR, 32P, BLK, RA, SN/NI/CU, A

English

CAD Files

3D PDF

3D

Customer View Model

[ENG_CVM_CVM_SRK13-MDA-32A-001_99_c-srk13-mda-32a-001-99.2d_dxf.zip](#)

English

Customer View Model

[ENG_CVM_CVM_SRK13-MDA-32A-001_99_c-srk13-mda-32a-001-99.3d_igs.zip](#)

English

Customer View Model

[ENG_CVM_CVM_SRK13-MDA-32A-001_99_c-srk13-mda-32a-001-99.3d_stp.zip](#)

English

By downloading the CAD file I accept and agree to the [Terms and Conditions](#) of use.

Datasheets & Catalog Pages

TERMINALS AND CONNECTORS

English

CONNECTOR SELECTOR

English

Product Specifications

Application Specification

English