



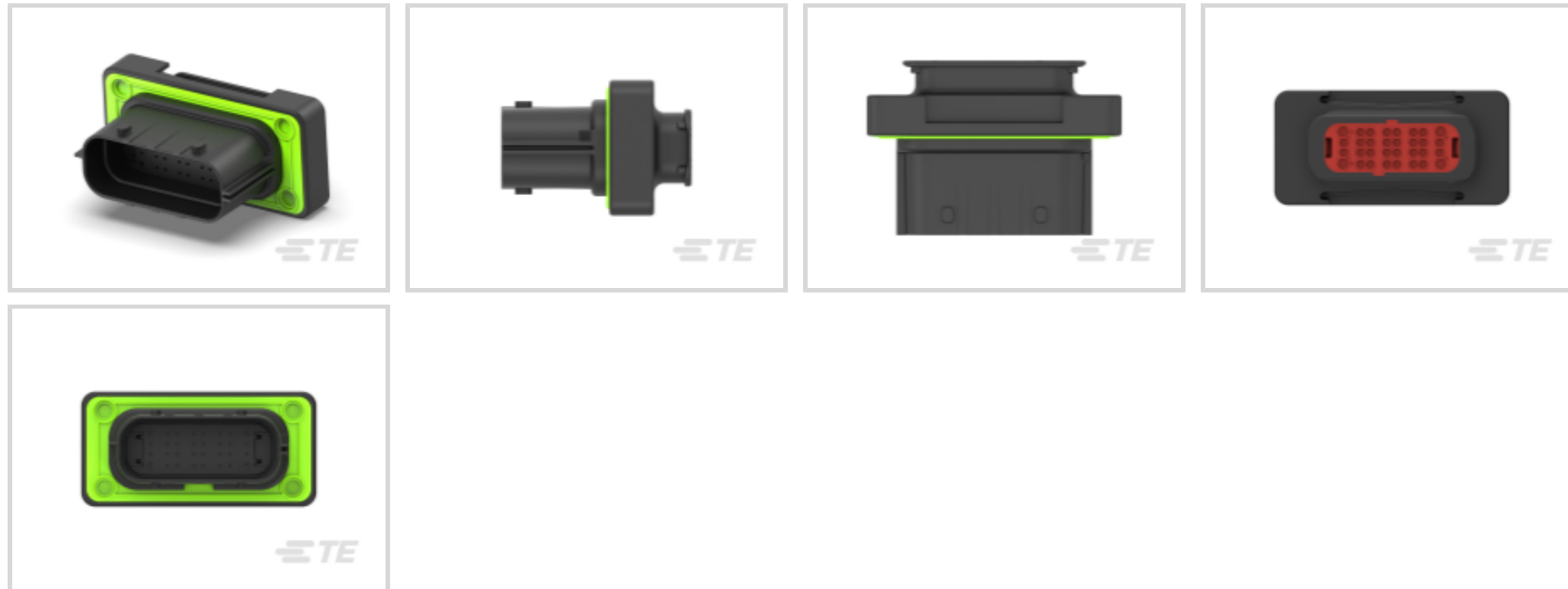
DEUTSCH | STRIKE

TE Internal #: SRK02-MDI-32A-001

32 Position Housing, Housing for Male Terminals, Wire-to-Wire, 3.4 mm [.134 in] Centerline, Sealable, Black, Wire & Cable, Power, Panel Mount

[View on TE.com >](#)

Connectors > Automotive Connectors > Automotive Housings > DEUTSCH Strike Housings



Number of Positions: 32

Connector & Housing Type: **Housing for Male Terminals**

Mating Pin Diameter: 1 mm, 1.55 mm [.039 in, .061 in]

Connector System: **Wire-to-Wire**

Centerline (Pitch): 3.4 mm [.134 in]

[All DEUTSCH Strike Housings \(20\)](#)

Features

Industry Standards

IP Rating	IP6K9K, IP68
Compatible With Agency/Standards Products	SAE J2030
UL Flammability Rating	Not tested

Dimensions

Row-to-Row Spacing	3.5 mm, 11.35 mm, 10.85 mm [.138 in][.427 in][.447 in]
Compatible Insulation Diameter Range	1.55 – 2.41 mm, 1.55 – 3.05 mm [.061 – .12 in][.061 – .095 in]
Product Width	82 mm[3.228 in]
Product Length	56 mm[2.205 in]
Connector Height	40 mm[1.575 in]

Packaging Features

Packaging Quantity	108
--------------------	-----



Packaging Method	Box
------------------	-----

Mechanical Attachment

Strain Relief	With
Terminal Position Assurance	Yes
Mating Alignment Type	Keyed
Mating Alignment	With
Connector Mounting Type	Panel Mount

Other

Serviceable	Yes
Connector Position Assurance Capable	No
EU RoHS Compliance	Compliant with Exemptions
EU ELV Compliance	Compliant

Electrical Characteristics

Operating Voltage	48 VDC
Nominal Voltage Architecture	48 V

Body Features

Cable Exit Angle	180°
Primary Product Color	Black
Connector & Keying Code	I

Housing Features

Housing Material	PBT
Centerline (Pitch)	3.4 mm [.134 in]

Contact Features

Contact Size	Size 16, Size 20
Contact Type	Pin
Mating Pin Diameter	1 mm, 1.55 mm [.039 in] [.061 in]
Contact Current Rating (Max)	13 A, 7.5 A

Product Type Features

Mixed & Hybrid Connector	Yes
Connector Shape	Rectangular
Connector & Housing Type	Housing for Male Terminals
Connector System	Wire-to-Wire



Sealable	Yes
Primary Locking Feature	Integrated in Housing
Connector & Contact Terminates To	Wire & Cable

Configuration Features

Number of Positions	32
Number of Rows	4

Usage Conditions

Operating Temperature (Max)	125 °C[257 °F]
Operating Temperature Range	-55 – 125 °C[-67 – 257 °F]

Operation/Application

Circuit Application	Power
---------------------	-------

Product Compliance

[For compliance documentation, visit the product page on TE.com>](#)

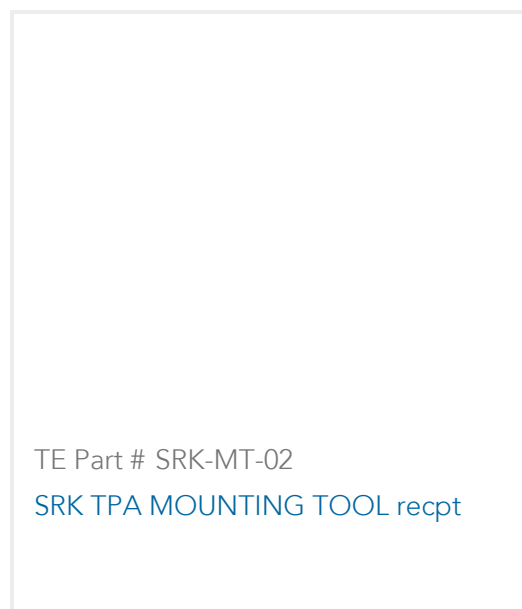
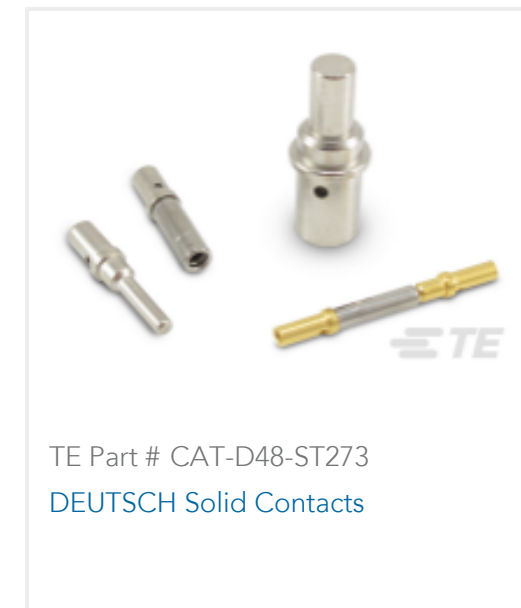
EU RoHS Directive 2011/65/EU	Compliant with Exemptions
EU ELV Directive 2000/53/EC	Compliant
China RoHS 2 Directive MIIT Order No 32, 2016	Restricted Materials Above Threshold
EU REACH Regulation (EC) No. 1907/2006	<p>Current ECHA Candidate List: JUNE 2024 (241)</p> <p>Candidate List Declared Against: JUNE 2024 (241)</p> <p>SVHC > Threshold:</p> <p>Octamethylcyclotetrasiloxane (D4) (.5% in Component Part)</p> <p>Dodecamethylcyclohexasiloxane (D6) (.5% in Component Part)</p> <p>Decamethylcyclopentasiloxane (D5) (.5% in Component Part)</p> <p>Pb (3% in Component Part)</p> <p>Article Safe Usage Statements: Do not eat, drink or smoke when using this product. Wash thoroughly after handling. Recycle if possible and dispose of the article by following all applicable governmental regulations relevant to your geographic location.</p>
Halogen Content	Not Low Halogen - contains Br or Cl > 900 ppm.
Solder Process Capability	Not reviewed for solder process capability

Product Compliance Disclaimer

This information is provided based on reasonable inquiry of our suppliers and represents our current actual knowledge based on the information they provided. This information is subject to change. The part numbers that TE has identified as EU RoHS compliant have a maximum concentration of 0.1% by weight in homogenous materials for lead, hexavalent chromium, mercury, PBB, PBDE, DBP, BBP, DEHP, DIBP, and 0.01% for cadmium, or qualify for an exemption to these

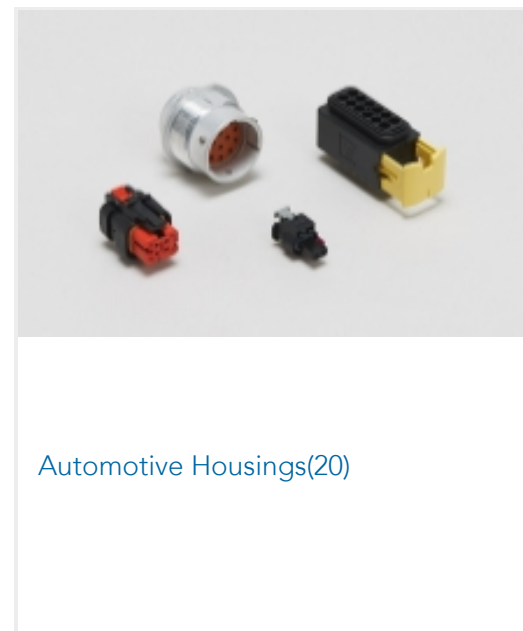
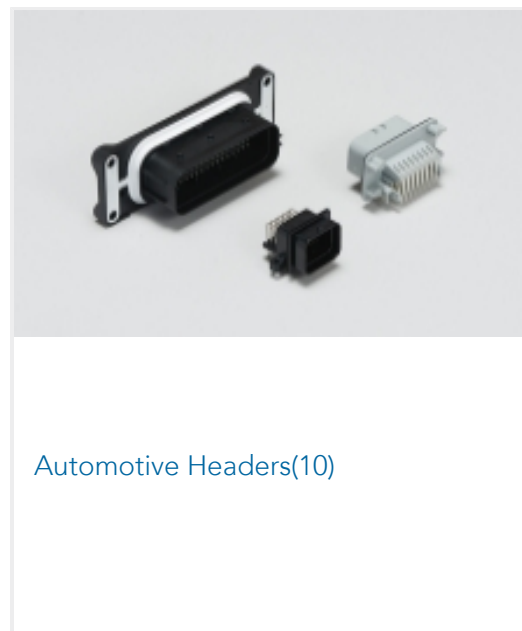
limits as defined in the Annexes of Directive 2011/65/EU (RoHS2). Finished electrical and electronic equipment products will be CE marked as required by Directive 2011/65/EU. Components may not be CE marked. Additionally, the part numbers that TE has identified as EU ELV compliant have a maximum concentration of 0.1% by weight in homogenous materials for lead, hexavalent chromium, and mercury, and 0.01% for cadmium, or qualify for an exemption to these limits as defined in the Annexes of Directive 2000/53/EC (ELV). Regarding the REACH Regulation, the information TE provides on SVHC in articles for this part number is based on the latest European Chemicals Agency (ECHA) 'Guidance on requirements for substances in articles' posted at this URL: <https://echa.europa.eu/guidance-documents/guidance-on-reach>

Compatible Parts





Also in the Series | **STRIKE**



Customers Also Bought





Documents

Product Drawings

[REC, 32P, BLK, E, FLANGE, I](#)

English

CAD Files

[3D PDF](#)

3D

Customer View Model

[ENG_CVM_CVM_SRK02-MDI-32A-001_C.2d_dxf.zip](#)

English

Customer View Model

[ENG_CVM_CVM_SRK02-MDI-32A-001_C.3d_igs.zip](#)

English

Customer View Model

[ENG_CVM_CVM_SRK02-MDI-32A-001_C.3d_stp.zip](#)

English

By downloading the CAD file I accept and agree to the [Terms and Conditions](#) of use.

Datasheets & Catalog Pages

[TERMINALS AND CONNECTORS](#)

English

Product Specifications

[Application Specification](#)

English