



Heat Shrink Tubing > SCL Heat Shrink Tubing



Tubing Product Type: **Heat Shrink Tubing**

Primary Product Color: **Black**

Wall Type: **Dual Wall**

Expanded Inside Diameter (Min): **4.74 mm [.187 in]**

Recovered Inside Diameter (Max): **1.52 mm [.06 in]**

[All SCL Heat Shrink Tubing \(59\)](#)

Features

Product Type Features

| | |
|---------------------|--------------------|
| Tubing Product Type | Heat Shrink Tubing |
| Wall Type | Dual Wall |

Electrical Characteristics

| | |
|-------------------------|-------|
| Operating Voltage (Max) | .6 kV |
|-------------------------|-------|

Body Features

| | |
|--------------------------|---|
| Fluid Type | Aviation Fuel, Brake Fluid, Hydraulic Fluid, Lubricating Oil, Water |
| Primary Product Color | Black |
| Shrink Ratio | 3:1 |
| Primary Product Material | Irradiated Modified Polyolefin |
| Flexibility | Semi-Rigid |

Dimensions

| | |
|--------------------------------------|-------------------|
| Recovered Wall Thickness (Nominal) | 1.09 mm[.043 in] |
| Product Length | 1220 mm[48.03 in] |
| Recovered Wall Thickness (Tolerance) | .31 mm[.012 in] |
| Expanded Inside Diameter (Min) | 4.74 mm[.187 in] |



| | |
|---------------------------------|--------------------------------|
| Recovered Inside Diameter (Max) | 1.52 mm [.06 in] |
| Tubing Size Range | 1.52 – 4.74 mm [.06 – .187 in] |

Usage Conditions

| | |
|-----------------------------|---|
| Resistance Properties | Immersion Protection, Moisture, Splash Protection |
| Shrink Temperature (Min) | 125 °C |
| Tubing Flammability Type | Non-Flame-Retardant |
| Operating Temperature Range | -55 – 110 °C [-67 – 230 °F] |
| Recovery Temperature | 135 °C |

Operation/Application

| | |
|-----------------------|---|
| Mechanical Resistance | Abrasion, Fluids, Mechanical Damage, Strain Relief, Vibration |
|-----------------------|---|

Product Availability

| | |
|-------------------|--------|
| Applicable Region | Global |
|-------------------|--------|

Packaging Features

| | |
|------------------|-----------|
| Packaging Method | Bag & Box |
|------------------|-----------|

Other

| | |
|-----------------------------------|----------------|
| Meets Low Outgassing Requirements | No |
| Product Source | Czech Republic |

Product Compliance

[For compliance documentation, visit the product page on TE.com>](#)

| | |
|---|---|
| EU RoHS Directive 2011/65/EU | Compliant |
| EU ELV Directive 2000/53/EC | Compliant |
| China RoHS 2 Directive MIIT Order No 32, 2016 | 有害物质含量符合标准要求 No Restricted Substance(s) Above Threshold |
| EU REACH Regulation (EC) No. 1907/2006 | Current ECHA Candidate List: JUNE 2025 (250) Candidate List Declared Against: JUNE 2025 (250) Does not contain REACH SVHC |
| Halogen Content | Low Halogen - Br, Cl, F < 900 ppm per homogenous material. Also BFR/CFR/PVC Free |
| Solder Process Capability | Not applicable for solder process capability |



Product Compliance Disclaimer

This information is provided based on reasonable inquiry of our suppliers and represents our current actual knowledge based on the information they provided. This information is subject to change. The part numbers that TE has identified as EU RoHS compliant have a maximum concentration of 0.1% by weight in homogenous materials for lead, hexavalent chromium, mercury, PBB, PBDE, DBP, BBP, DEHP, DIBP, and 0.01% for cadmium, or qualify for an exemption to these limits as defined in the Annexes of Directive 2011/65/EU (RoHS2). Finished electrical and electronic equipment products will be CE marked as required by Directive 2011/65/EU. Components may not be CE marked. Additionally, the part numbers that TE has identified as EU ELV compliant have a maximum concentration of 0.1% by weight in homogenous materials for lead, hexavalent chromium, and mercury, and 0.01% for cadmium, or qualify for an exemption to these limits as defined in the Annexes of Directive 2000/53/EC (ELV). Regarding the REACH Regulation, the information TE provides on SVHC in articles for this part number is based on the latest European Chemicals Agency (ECHA) 'Guidance on requirements for substances in articles' posted at this URL: <https://echa.europa.eu/guidance-documents/guidance-on-reach>

Compatible Parts

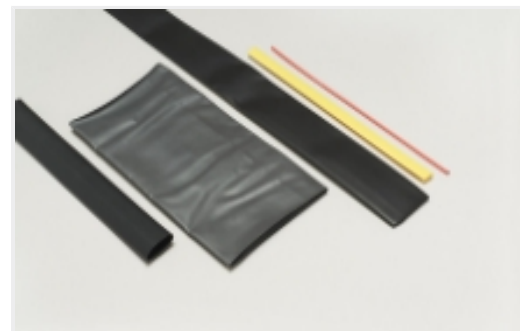


TE Part # EG1114-000
CV1981-ST-230V1600W-EU

Also in the Series | RAYCHEM SCL

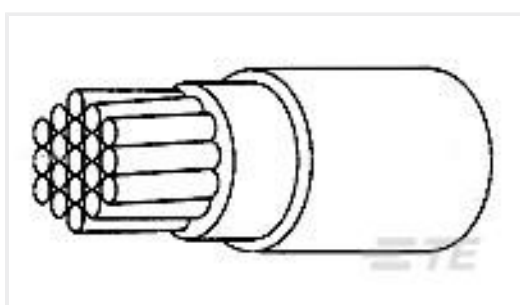


Dual Wall Tubing(60)



Heat Shrink Tubing(61)

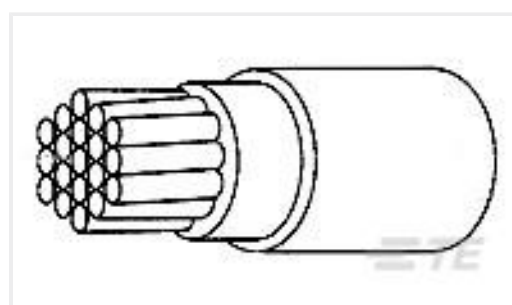
Customers Also Bought



TE Part #E257433001
VG-95218-T020-E029



TE Part #346247-000
CWT-5-S



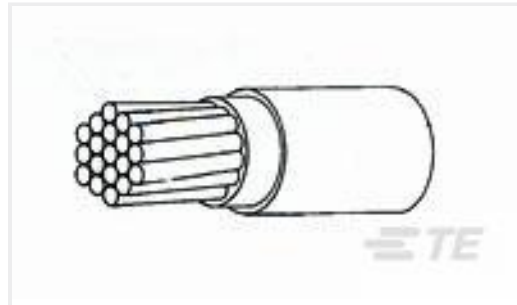
TE Part #F206443001
VG-95218-T020-E059



TE Part #5070094021
RNF-100-3/4-X-SP



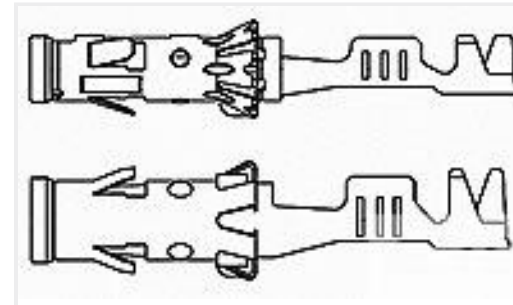
TE Part #5070074032
RNF-100-3/8-X-SP



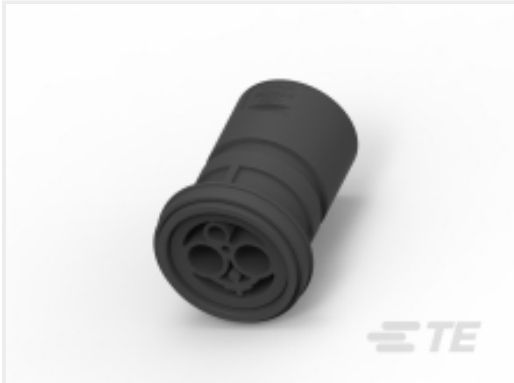
TE Part #9931953001
VG-95218-T020-A003



TE Part #NB25822001
SCL-1/8-0-STK



TE Part #962952-2
4MM BUCHS-KONTAKT



TE Part #966466-1
4MM BU-GEH 2P KPL



TE Part #92001-08-07E
HERM RECP

Documents

Product Drawings

[SCL-3/16-0-STK](#)

English

Datasheets & Catalog Pages

[SCL Tubing](#)

English

Product Specifications

[Quality Specification](#)

English