

NB14734001 ✓ ACTIVE

RAYCHEM | RAYCHEM Versafit

TE Internal #: NB14734001

Heat Shrink Tubing, Black, 2:1, Single Wall Tubing, Shrinks To 8 mm [.315 in], Irradiated Modified Polyolefin, RAYCHEM Versafit

[View on TE.com >](#)



Heat Shrink Tubing



Tubing Product Type: **Heat Shrink Tubing**

Primary Product Color: **Black**

Shrink Ratio: **2:1**

Wall Type: **Single Wall**

Recovered Inside Diameter (Max): **8 mm [.315 in]**

## Features

### Electrical Characteristics

Operating Voltage (Max)	.6 kV
-------------------------	-------

### Usage Conditions

Shrink Temperature (Min)	70 °C
Tubing Flammability Type	Highly Flame-Retardant
Operating Temperature Range	-55 – 135 °C
Recovery Temperature	90 °C

### Dimensions

Recovered Wall Thickness (Nominal)	.76 mm[.03 in]
Recovered Wall Thickness (Tolerance)	.16 mm[.006 in]
Recovered Inside Diameter (Max)	8 mm[.315 in]
Expanded Inside Diameter (Min)	16.9 mm[.665 in]
Tubing Size Range	8 – 16.9 mm[.315 – .665 in]

### Body Features

Fluid Type	Lubricating Oil, Aviation Fuel, Hydraulic Fluid, De-Icing Fluid, Chemicals/Solvents, Water
Primary Product Color	Black
Shrink Ratio	2:1
Primary Product Material	Irradiated Modified Polyolefin



Flexibility	Very Flexible
-------------	---------------

### Product Type Features

Tubing Product Type	Heat Shrink Tubing
Wall Type	Single Wall

### Packaging Features

Packaging Method	Reel
------------------	------

### Operation/Application

Mechanical Resistance	Strain Relief, Wrinkling
-----------------------	--------------------------

### Product Availability

Applicable Region	Global
-------------------	--------

### Other

Meets Low Outgassing Requirements	No
Product Source	Czech Republic
EU RoHS Compliance	Compliant
EU ELV Compliance	Compliant

## Product Compliance

[For compliance documentation, visit the product page on TE.com>](#)

EU RoHS Directive 2011/65/EU	Compliant
EU ELV Directive 2000/53/EC	Compliant
China RoHS 2 Directive MIIT Order No 32, 2016	No Restricted Materials Above Threshold
EU REACH Regulation (EC) No. 1907/2006	Current ECHA Candidate List: JUNE 2024 (241) Candidate List Declared Against: JUNE 2024 (241) Does not contain REACH SVHC
Halogen Content	Not Low Halogen - contains Br or Cl > 900 ppm.
Solder Process Capability	Not applicable for solder process capability

#### Product Compliance Disclaimer

This information is provided based on reasonable inquiry of our suppliers and represents our current actual knowledge based on the information they provided. This information is subject to change. The part numbers that TE has identified as EU RoHS compliant have a maximum concentration of 0.1% by weight in homogenous materials for lead, hexavalent chromium, mercury, PBB, PBDE, DBP, BBP, DEHP, DIBP, and 0.01% for cadmium, or qualify for an exemption to these limits as defined in the Annexes of Directive 2011/65/EU (RoHS2). Finished electrical and electronic equipment products will be CE marked as required by Directive 2011/65/EU. Components may not be CE marked. Additionally, the part

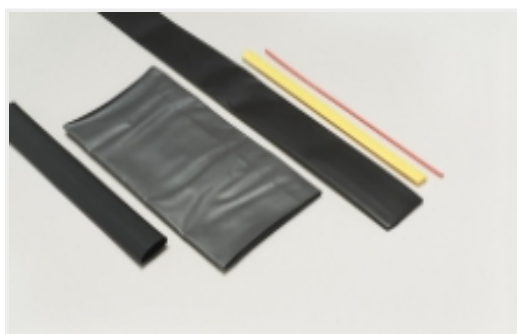
numbers that TE has identified as EU ELV compliant have a maximum concentration of 0.1% by weight in homogenous materials for lead, hexavalent chromium, and mercury, and 0.01% for cadmium, or qualify for an exemption to these limits as defined in the Annexes of Directive 2000/53/EC (ELV). Regarding the REACH Regulation, the information TE provides on SVHC in articles for this part number is based on the latest European Chemicals Agency (ECHA) 'Guidance on requirements for substances in articles' posted at this URL: <https://echa.europa.eu/guidance-documents/guidance-on-reach>

## Compatible Parts



TE Part # EG1114-000  
CV1981-ST-230V1600W-EU

## Also in the Series | RAYCHEM Versafit



Heat Shrink Tubing(257)

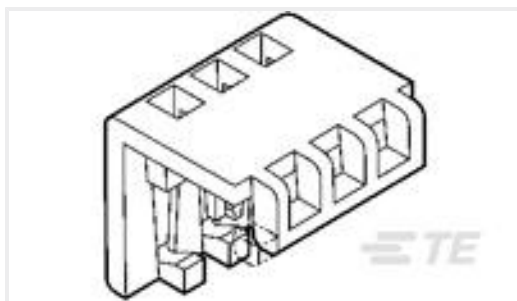


Orange Heat Shrink Tubing(11)



Single Wall Tubing(257)

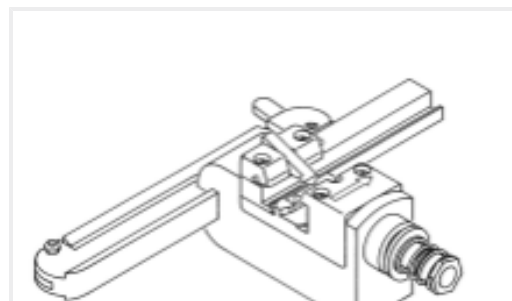
## Customers Also Bought



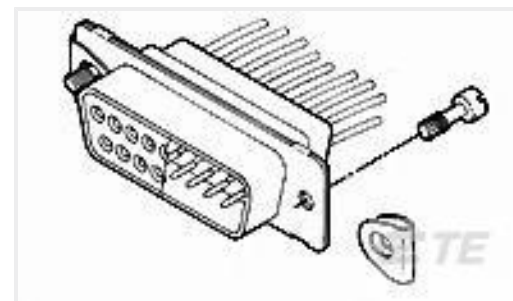
TE Part #643075-9  
09P MTA100 MOLDED COVER



TE Part #3-644042-9  
09P MTA100 CONN ASSY LF



TE Part #58442-1  
MTA 100 CRIMP HEAD PRODUCTION  
FEED THRU



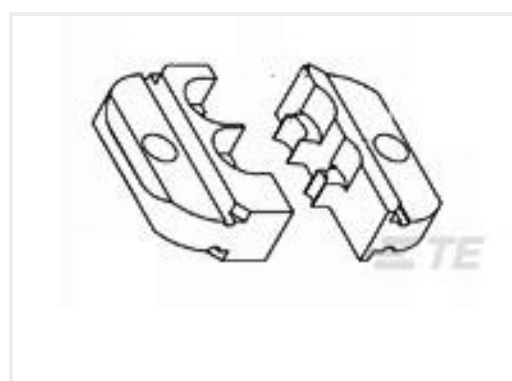
TE Part #5207871-1  
SCREW RETAINER KIT



TE Part #EKB201N00330602000  
915 EXTENSION



TE Part #208101-1  
LATCH BLOCK (SZ 1-4)



TE Part #91900-1  
PREMIUM SDE DIE,FIBER OPTIC



TE Part #2-1623720-9  
CCR2 15K 10%



## Documents

### Product Drawings

[VERSAFIT-5/8-0-SP](#)

English

---

### Datasheets & Catalog Pages

[Versafit Tubing](#)

English

---

### Product Specifications

[Application Specification](#)

English