



Switches > Push Button Switches > Push Button Switch, Socket, 1 Actuator, Flush Profile



Push Button Switch Product Type: **General Purpose Push Button Switch**

Configuration (Pole-Throw): **Double Pole - Double Throw**

Number of Actuators: **Single**

Actuator Profile: **Flush**

Bushing Style: **Threaded**

[All Push Button Switch, Socket, 1 Actuator, Flush Profile \(7\)](#)

Features

Mechanical Attachment

Product Mount Type	Panel Mount
--------------------	-------------

Packaging Features

Packaging Method	Bulk
------------------	------

Body Features

Actuator Force	4079 g[144 oz]
Actuator Profile	Flush
Bushing Style	Threaded
Actuator Color	Red

Product Type Features

Push Button Switch Product Type	General Purpose Push Button Switch
Illuminated	Without
Actuator Style	Round Actuator



Configuration Features

Configuration (Pole-Throw)	Double Pole - Double Throw
Number of Actuators	Single
Snap Action	Without
Support Bracket	Without
Switch Feedback Type	Tactile
Operating Function	Momentary

Electrical Characteristics

Contact Current Rating	5 A
Operating Voltage Range	9 – 32 VDC

Contact Features

Switch Contact Plating Material	Silver Alloy
---------------------------------	--------------

Housing Features

Process Sealed	Yes
----------------	-----

Other

EU RoHS Compliance	Compliant with Exemptions
EU ELV Compliance	Compliant

Product Compliance

[For compliance documentation, visit the product page on TE.com>](#)

EU RoHS Directive 2011/65/EU	Compliant with Exemptions
EU ELV Directive 2000/53/EC	Compliant
China RoHS 2 Directive MIIT Order No 32, 2016	Restricted Materials Above Threshold
EU REACH Regulation (EC) No. 1907/2006	Current ECHA Candidate List: JUNE 2024 (241) Not Yet Reviewed
Halogen Content	Not Yet Reviewed for halogen content
Solder Process Capability	Not reviewed for solder process capability

Product Compliance Disclaimer

This information is provided based on reasonable inquiry of our suppliers and represents our current actual knowledge based on the information they provided. This information is subject to change. The part numbers that TE has identified as EU RoHS compliant have a maximum concentration of 0.1% by weight in homogenous materials for lead, hexavalent chromium, mercury, PBB, PBDE, DBP, BBP, DEHP, DIBP, and 0.01% for cadmium, or qualify for an exemption to these limits as defined in the Annexes of Directive 2011/65/EU (RoHS2). Finished electrical and electronic equipment products will be CE marked as required by Directive 2011/65/EU. Components may not be CE marked. Additionally, the part numbers that TE has identified as EU ELV compliant have a maximum concentration of 0.1% by weight in homogenous



materials for lead, hexavalent chromium, and mercury, and 0.01% for cadmium, or qualify for an exemption to these limits as defined in the Annexes of Directive 2000/53/EC (ELV). Regarding the REACH Regulations, TE's information on SVHC in articles for this part number is still based on the European Chemical Agency (ECHA) 'Guidance on requirements for substances in articles' (Version: 2, April 2011), applying the 0.1% weight on weight concentration threshold at the finished product level. TE is aware of the European Court of Justice ruling of September 10th, 2015 also known as O5A (Once An Article Always An Article) stating that, in case of 'complex object', the threshold for a SVHC must be applied to both the product as a whole and simultaneously to each of the articles forming part of its composition. TE has evaluated this ruling based on the new ECHA "Guidance on requirements for substances in articles" (June 2017, version 4.0) and will be updating its statements accordingly.

Compatible Parts



TE Part # K1144726
Push button switch TS-212-RT51 906



TE Part # K1003101
Emergency Power Switch Type 24-34-02 902



TE Part # K1024631
Limit switch G13-01-1460



TE Part # K1050098
Limit switch G13-01-1540



TE Part # K1142028
Limit switch G12-211-S-15 909



TE Part # K1164668
Limit switch G12-141-E-912 with Bund



TE Part # K1151130
Leuchtmelder TS-201-WS102




TE Part # K1050031
Limit switch G13-01-1530



TE Part # K1152921
Limit switch G13-01-1819



TE Part # K1162614
Leuchtmelder TS-201-WS12 912



TE Part # CAT-AL8-KSEESS
Emergency Stop Switch, 1 Actuator, Flush, Threaded Bushing



TE Part # CAT-AL8-STPBSC
Push Button Switch, Center Thread, 1 Actuator, Flush Profile



TE Part # K1152919
Limit switch G12-421-M-18



TE Part # K1016318
Limit switch G13-01-1161



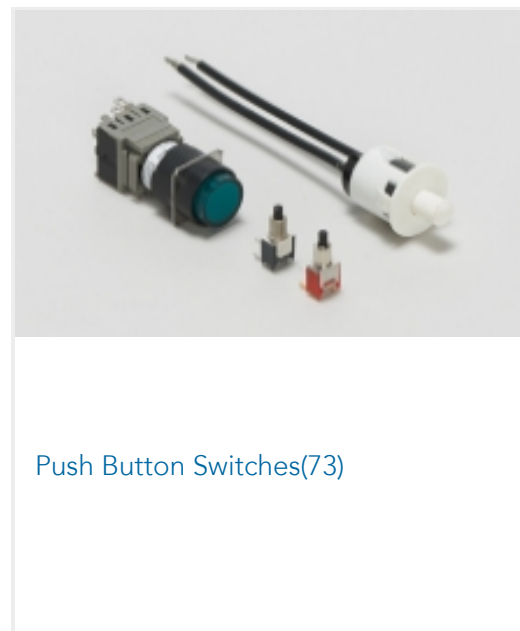
TE Part # K1163464
Limit Switch G12-211-S-30 932



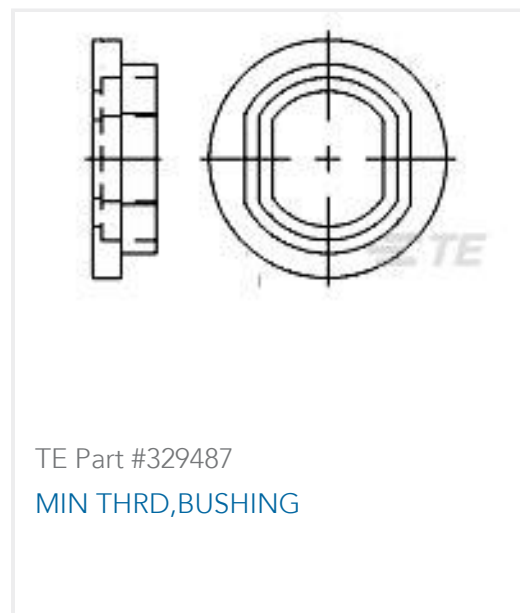
TE Part # K1149275
Limit switch G13-01-1460 with Bund



Also in the Series | **KISSLING Series TS**



Customers Also Bought





Documents

CAD Files

3D PDF

3D

Customer View Model

[ENG_CVM_CVM_TS-121-RT61_1.2d_dxf.zip](#)

English

Customer View Model

[ENG_CVM_CVM_TS-121-RT61_1.3d_igs.zip](#)

English

Customer View Model

[ENG_CVM_CVM_TS-121-RT61_1.3d_stp.zip](#)

English

By downloading the CAD file I accept and agree to the [Terms and Conditions](#) of use.

Datasheets & Catalog Pages

[KISSLING PUSH BUTTON SWITCH Series TS](#)

English