

# HDP26-24-31ST-L015 ✓ ACTIVE

[DEUTSCH](#) | [DEUTSCH HDP](#), [DEUTSCH HD](#)

TE Internal #: HDP26-24-31ST-L015

12 V / 24 V / 48 V, 31 Position, Automotive Housing for Female Terminals, Wire-to-Panel, Sealable, Black, Wire & Cable, Power, Panel Mount, Hybrid

[View on TE.com >](#)



[Automotive Parts](#) > [Automotive Connectors](#) > [Automotive Housings](#) > [DEUTSCH HDP20 Housings](#)



Nominal Voltage Architecture: 12 V, 24 V, 48 V

Connector & Housing Type: **Housing for Female Terminals**

Number of Positions: 31

Sealable: **Yes**

Operating Temperature Range: -55 – 125 °C [ -67 – 257 °F ]

[All DEUTSCH HDP20 Housings \(357\)](#)

## Features

### Product Type Features

Mixed & Hybrid Connector	No
Connector Shape	Circular
Connector & Housing Type	Housing for Female Terminals
Sealable	Yes
Primary Locking Feature	Contact Retainer
Connector System	Wire-to-Panel
Connector & Contact Terminates To	Wire & Cable

### Configuration Features

Blank Cavity Position	0
Connector Modification	Threaded Adapter
Connector Seal Code	T Seal
Number of Positions	31

### Electrical Characteristics

Operating Voltage	250 VDC
Nominal Voltage Architecture	12 V, 24 V, 48 V

### Body Features



Cable Exit Angle	180 °
Primary Product Color	Black

### Contact Features

Contact Size	Size 16
Contact Type	Socket
Mating Pin Diameter	1.6 mm[.063 in]
Contact Current Rating (Max)	13 A

### Mechanical Attachment

Strain Relief	Without
Terminal Position Assurance	No
Mating Alignment Type	Polarizing Slot
Mating Alignment	With
Connector Mounting Type	Panel Mount

### Housing Features

Housing Material	PA 66 GF
------------------	----------

### Dimensions

Compatible Insulation Diameter Range	1.4 – 3.8 mm[.055 – .15 in]
Product Width	43.2 mm[1.7 in]
Product Length	43.2 mm[1.7 in]
Connector Height	55.4 mm[2.18 in]

### Usage Conditions

Operating Temperature Range	-55 – 125 °C[-67 – 257 °F]
Operating Temperature (Max)	125 °C[257 °F]

### Operation/Application

Circuit Application	Power
---------------------	-------

### Industry Standards

IP Rating	IP67
UL Flammability Rating	UL 94V-0

### Packaging Features

Packaging Quantity	40
Packaging Method	Tray



Other

Serviceable	Yes
Connector Position Assurance Capable	No

Product Compliance

[For compliance documentation, visit the product page on TE.com>](#)

EU RoHS Directive 2011/65/EU	Compliant
EU ELV Directive 2000/53/EC	Compliant
China RoHS 2 Directive MIIT Order No 32, 2016	有害物质含量符合标准要求 No Restricted Substance(s) Above Threshold
EU REACH Regulation (EC) No. 1907/2006	Current ECHA Candidate List: JUNE 2025 (250) Candidate List Declared Against: JUNE 2025 (250) Does not contain REACH SVHC
Halogen Content	Not Low Halogen - contains Br or Cl > 900 ppm.
Solder Process Capability	Not reviewed for solder process capability

Product Compliance Disclaimer

This information is provided based on reasonable inquiry of our suppliers and represents our current actual knowledge based on the information they provided. This information is subject to change. The part numbers that TE has identified as EU RoHS compliant have a maximum concentration of 0.1% by weight in homogenous materials for lead, hexavalent chromium, mercury, PBB, PBDE, DBP, BBP, DEHP, DIBP, and 0.01% for cadmium, or qualify for an exemption to these limits as defined in the Annexes of Directive 2011/65/EU (RoHS2). Finished electrical and electronic equipment products will be CE marked as required by Directive 2011/65/EU. Components may not be CE marked. Additionally, the part numbers that TE has identified as EU ELV compliant have a maximum concentration of 0.1% by weight in homogenous materials for lead, hexavalent chromium, and mercury, and 0.01% for cadmium, or qualify for an exemption to these limits as defined in the Annexes of Directive 2000/53/EC (ELV). Regarding the REACH Regulation, the information TE provides on SVHC in articles for this part number is based on the latest European Chemicals Agency (ECHA) 'Guidance on requirements for substances in articles' posted at this URL: <https://echa.europa.eu/guidance-documents/guidance-on-reach>

Compatible Parts

 <p>TE Part # 0411-310-1605 EXT TOOL, SIZE 16, 16-18 AWG, T, LT BLU</p>	 <p>TE Part # SRN21 SEAL RING, CONDUIT ADAPTER, NW22</p>	 <p>TE Part # HD30-24BT-90-BK BOOT, 24SZ, RA, BLK</p>	 <p>TE Part # CN21 CAP NUT, CONDUIT ADAPTER, NW22</p>
--	--	--	--



TE Part # HD30-24BT  
BOOT, 24SZ, ST, GRY



TE Part # CAT-D48-SP729  
DEUTSCH Sealing Plugs



TE Part # 0411-204-1605  
EXT TOOL, SIZE 16, 16-18 AWG, N,  
DRK BLU



TE Part # CAT-H396-B128  
DEUTSCH HDP20 Backshells



TE Part # CAT-H396-CH8172  
DEUTSCH HDP20 Housings



TE Part # HD30-24BT-BK  
BOOT, 24SZ, ST, BLK



TE Part # CAT-H3910-B128  
DEUTSCH HD10 Backshells

Also in the Series | **DEUTSCH HD**



Automotive Connector Caps & Covers  
(14)



Automotive Seals & Cavity Plugs(1)

Also in the Series | **DEUTSCH HDP**



Automotive Connector Caps & Covers  
(14)



Automotive Housings(357)

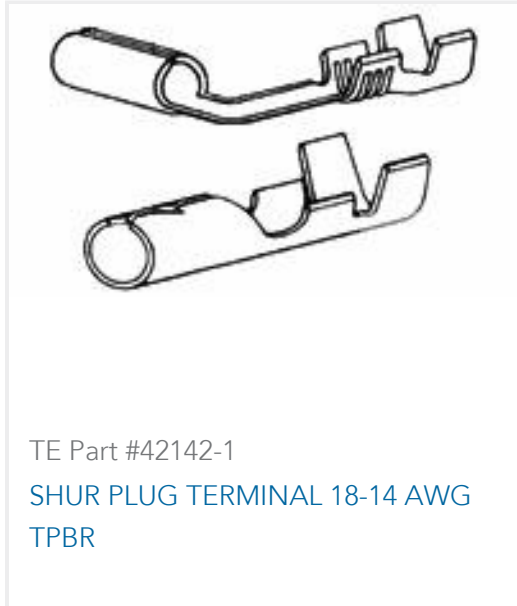


Automotive Seals & Cavity Plugs(1)



Other Automotive Connector  
Accessories(7)

Customers Also Bought



## Documents

### Product Drawings

[PLG, 31P, BLK, T, THD, 16, S](#)

English

### CAD Files

[3D PDF](#)

3D

Customer View Model

[ENG\\_CVM\\_CVM\\_HDP26-24-31ST-L015\\_A.2d\\_dxf.zip](#)

English

Customer View Model

[ENG\\_CVM\\_CVM\\_HDP26-24-31ST-L015\\_A.3d\\_igs.zip](#)

English

Customer View Model

[ENG\\_CVM\\_CVM\\_HDP26-24-31ST-L015\\_A.3d\\_stp.zip](#)

English

By downloading the CAD file I accept and agree to the [Terms and Conditions](#) of use.

### Datasheets & Catalog Pages



## DEUTSCH HD30 & HDP20 CONNECTOR SERIES

English

### CONNECTOR SELECTOR

English

---

### Product Specifications

#### Application Specification

English

---

### Agency Approvals

#### UL Report

English