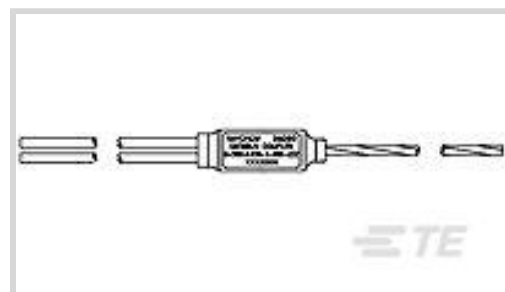




Cable Assemblies > Data Bus Components > Data Bus Couplers



Coupler Type: **Ultra-Lightweight In-Line Microcoupler**

Number of Stubs: 1

Cable Assembly Length: 3.05 m [ 10 ft ]

## Features

### Product Type Features

Data Bus Cable Type	10613 (Double Optimized Shield Cable)
Coupler Type	Ultra-Lightweight In-Line Microcoupler

### Configuration Features

Coupler Options	Without Internal Terminator but with Reverse Bus
Number of Stubs	1

### Termination Features

Termination Method to Wire & Cable	Solder
------------------------------------	--------

### Usage Conditions

Operating Temperature (Max)	150 °C[302 °F]
-----------------------------	----------------

### Other

Cable Assembly Length	3.05 m[10 ft]
-----------------------	---------------

## Product Compliance

[For compliance documentation, visit the product page on TE.com>](#)

EU RoHS Directive 2011/65/EU	Compliant
EU ELV Directive 2000/53/EC	Compliant
China RoHS 2 Directive MIIT Order No 32, 2016	有害物质含量符合标准要求 No Restricted Substance(s) Above Threshold
EU REACH Regulation (EC) No. 1907/2006	Current ECHA Candidate List: JUNE 2025 (250)

Candidate List Declared Against: JAN 2025  
(247)

Does not contain REACH SVHC

Halogen Content

Low Halogen - Br, Cl, F < 900 ppm per homogenous material. Also BFR/CFR/PVC Free

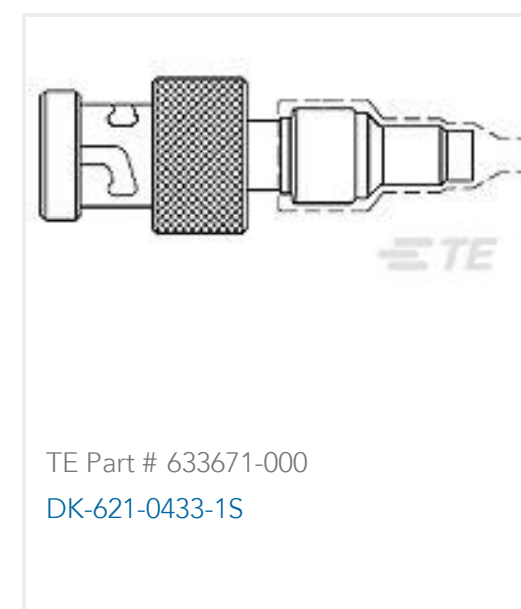
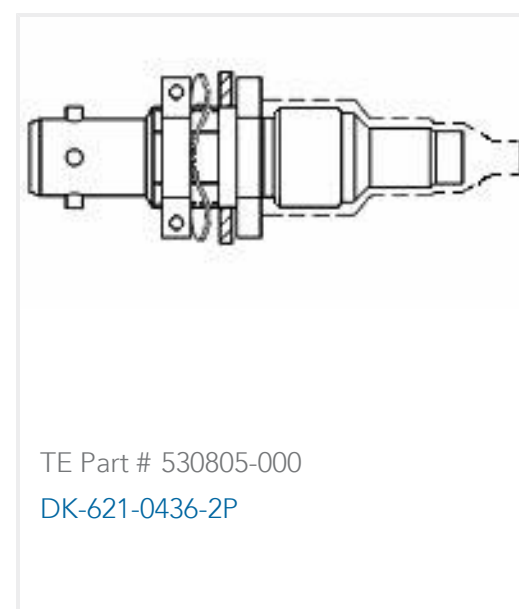
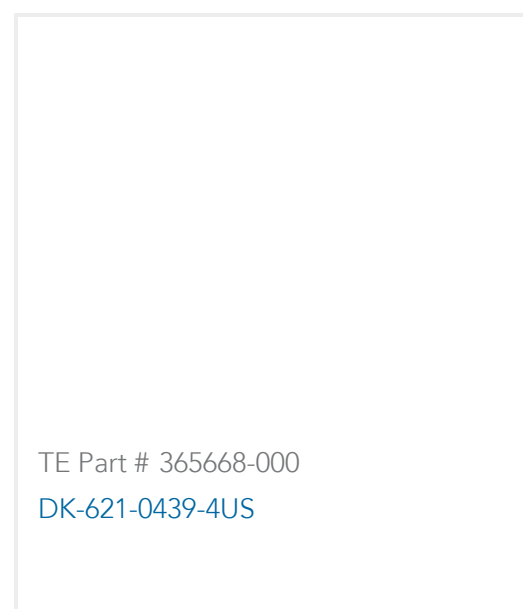
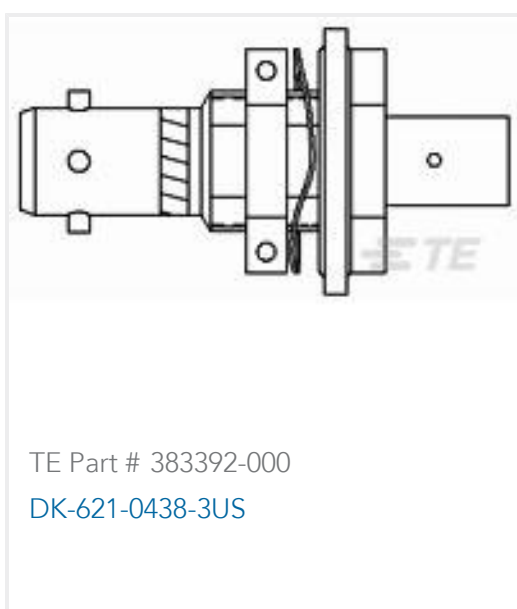
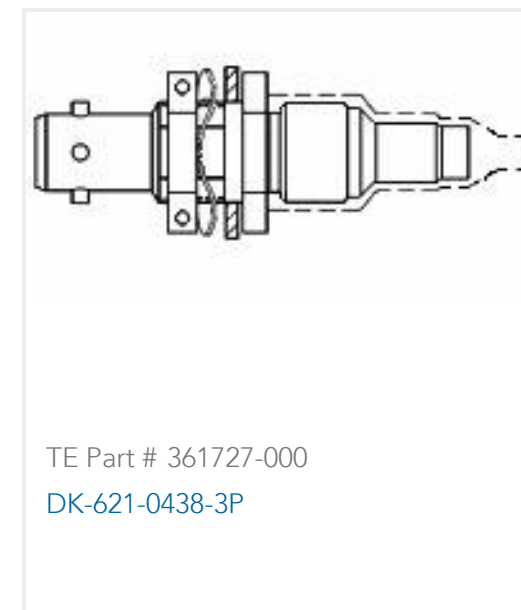
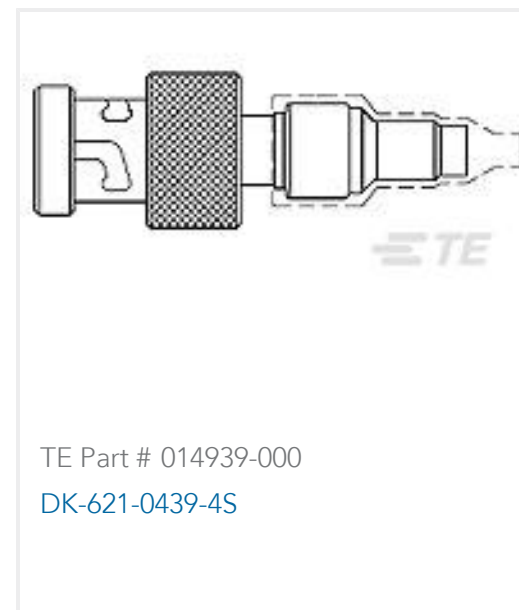
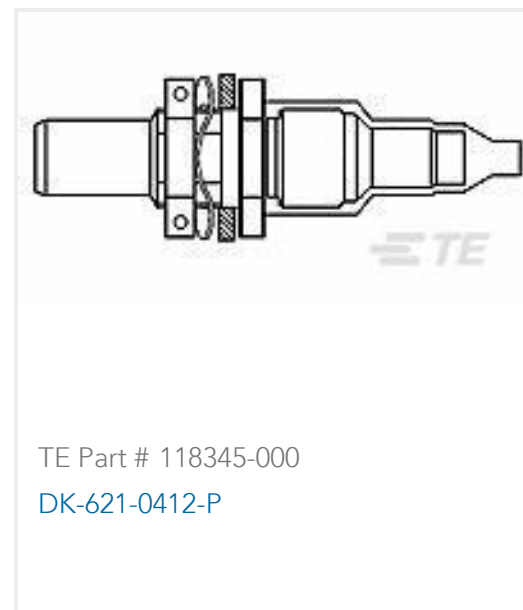
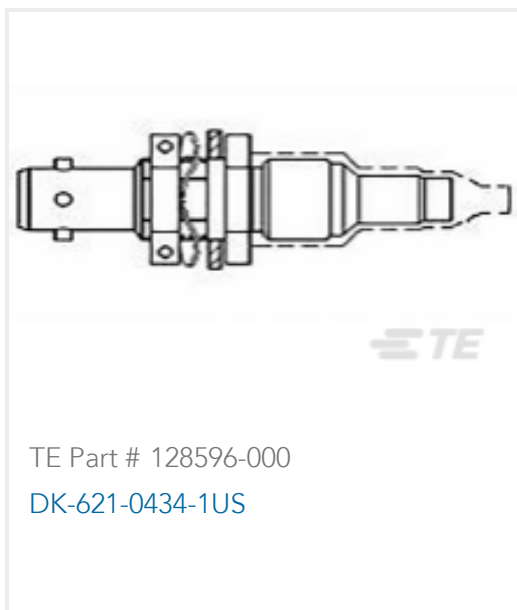
Solder Process Capability

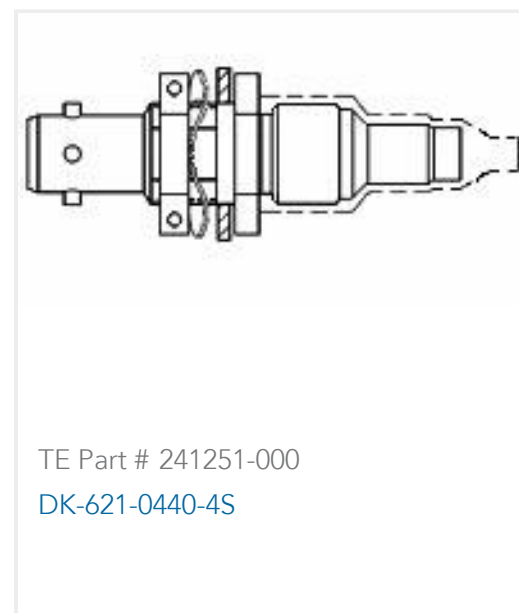
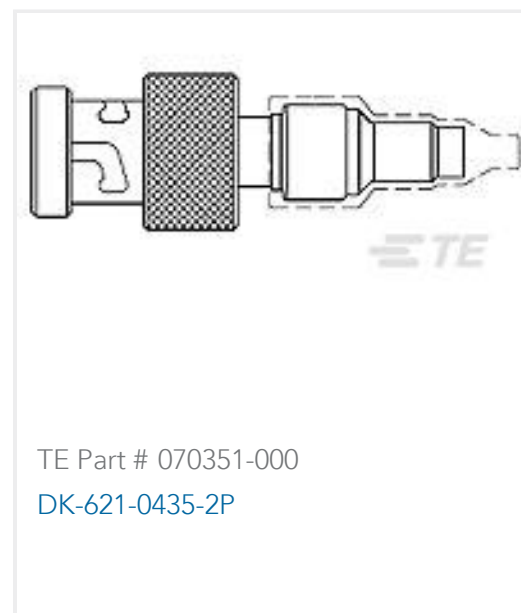
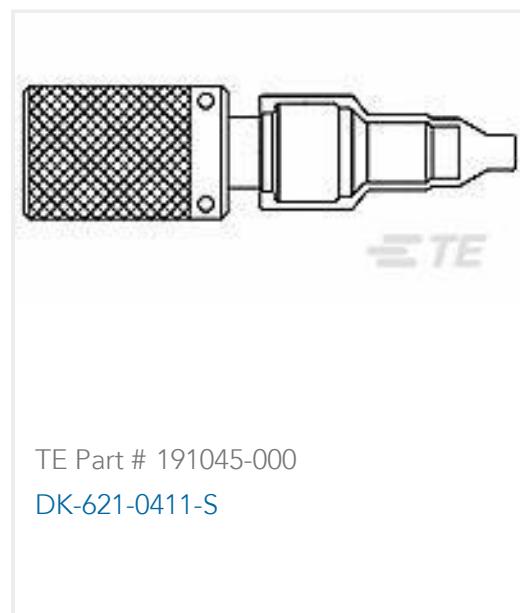
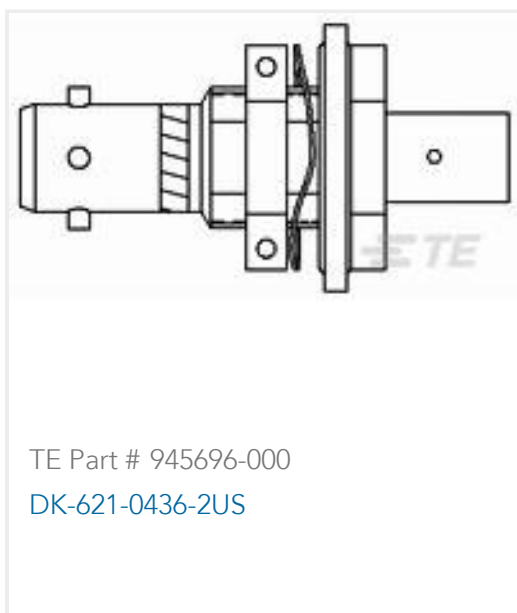
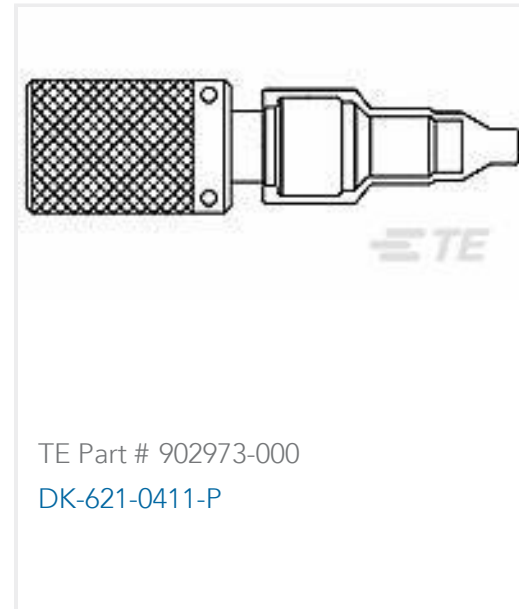
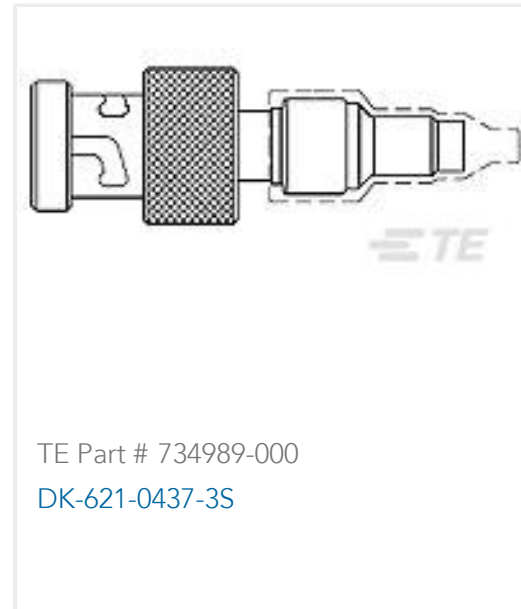
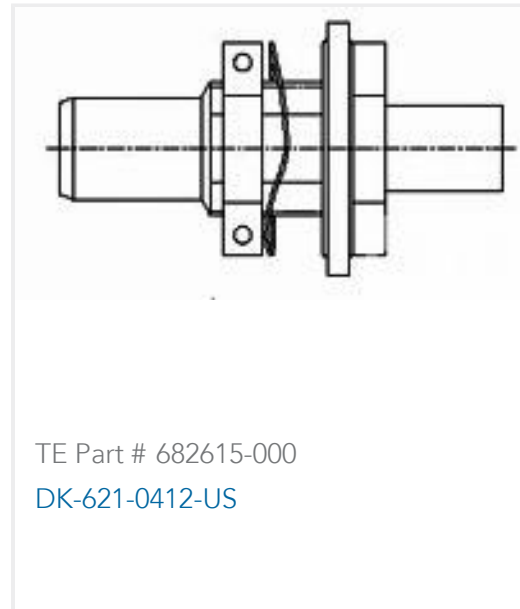
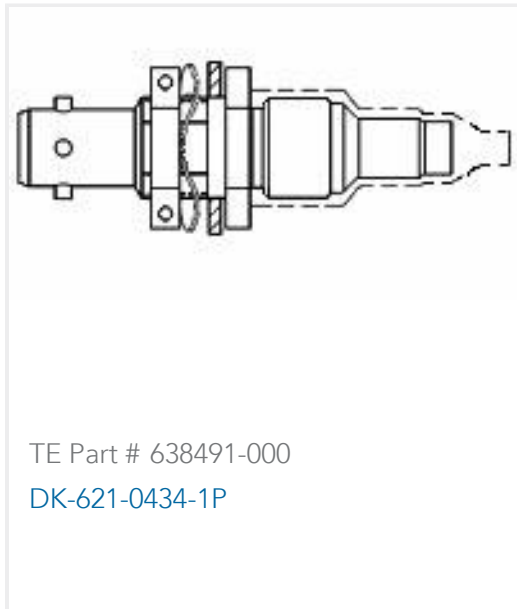
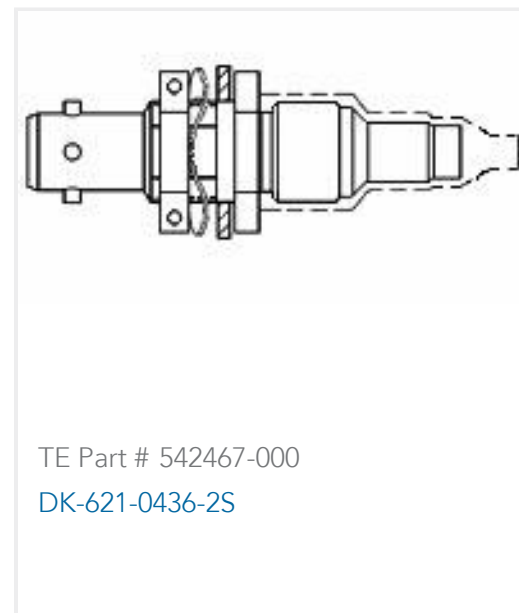
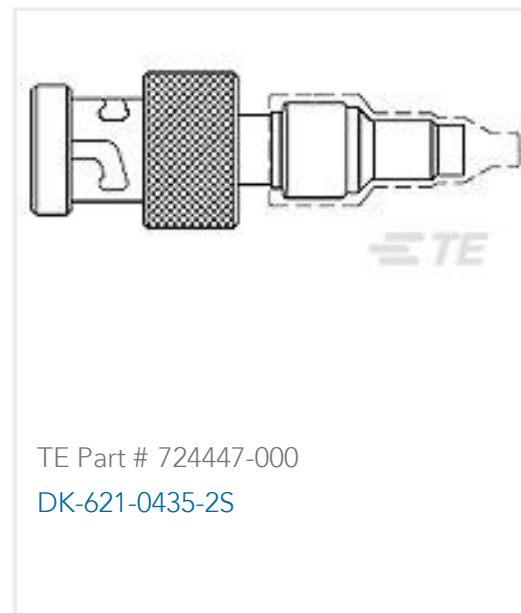
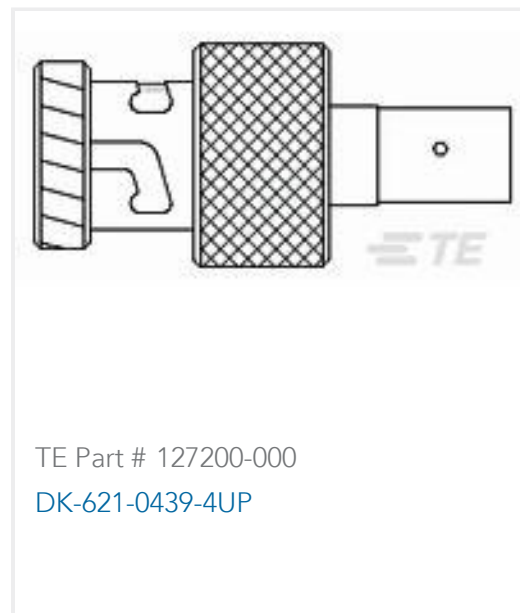
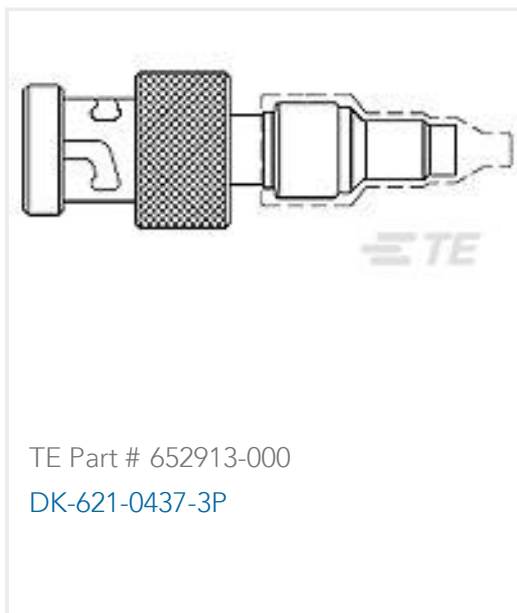
Not applicable for solder process capability

Product Compliance Disclaimer

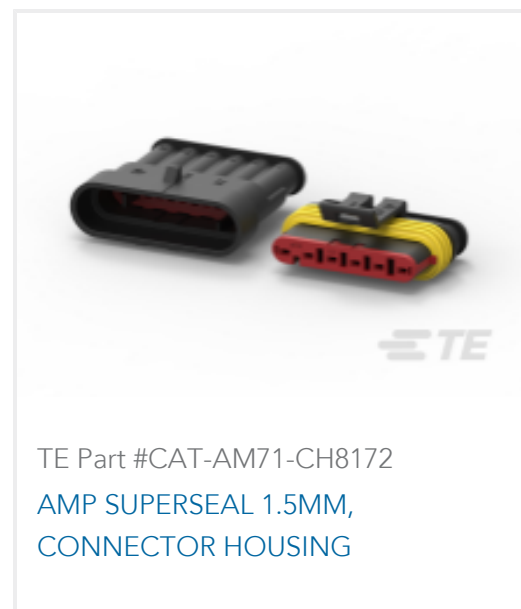
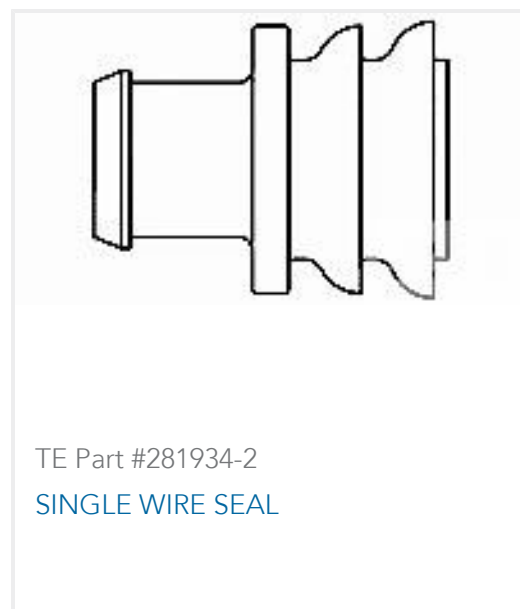
This information is provided based on reasonable inquiry of our suppliers and represents our current actual knowledge based on the information they provided. This information is subject to change. The part numbers that TE has identified as EU RoHS compliant have a maximum concentration of 0.1% by weight in homogenous materials for lead, hexavalent chromium, mercury, PBB, PBDE, DBP, BBP, DEHP, DIBP, and 0.01% for cadmium, or qualify for an exemption to these limits as defined in the Annexes of Directive 2011/65/EU (RoHS2). Finished electrical and electronic equipment products will be CE marked as required by Directive 2011/65/EU. Components may not be CE marked. Additionally, the part numbers that TE has identified as EU ELV compliant have a maximum concentration of 0.1% by weight in homogenous materials for lead, hexavalent chromium, and mercury, and 0.01% for cadmium, or qualify for an exemption to these limits as defined in the Annexes of Directive 2000/53/EC (ELV). Regarding the REACH Regulation, the information TE provides on SVHC in articles for this part number is based on the latest European Chemicals Agency (ECHA) 'Guidance on requirements for substances in articles' posted at this URL: <https://echa.europa.eu/guidance-documents/guidance-on-reach>

## Compatible Parts





### Customers Also Bought



### Documents



**Product Drawings**

[D-500-L456-1-613-120](#)

English

---

**Datasheets & Catalog Pages**

[Data Bus Components Brochure](#)

English