

WV-699191-5-9 ✓ ACTIVE

TE Internal #: F51654-000

White, Industrial Label, Die-Cut, High Tack Permanent Acrylic Adhesive, 69.9 mm [2.75 in] Width, 19.1 mm [.75 in] Height, Vinyl Film, Standard Labels

[View on TE.com >](#)



Identification & Labeling > Labels > Standard Labels > WV High Tack White Vinyl Labels



Label Type: **Industrial Label**

Label Style: **Die-Cut**

Label Adhesive Type: **High Tack Permanent Acrylic Adhesive**

Product Width: **69.9 mm [ 2.75 in ]**

Length of Label Roll: **116.5 m [ 382.21 ft ]**

[All WV High Tack White Vinyl Labels \(25\)](#)

## Features

### Product Type Features

Label Type	Industrial Label
------------	------------------

### Body Features

Primary Product Color	White
Primary Product Material	Vinyl Film

### Dimensions

Product Width	69.9 mm[2.75 in]
Product Height	19.1 mm[.75 in]

### Usage Conditions

Operating Temperature Range	-40 – 80 °C[-40 – 176 °F]
-----------------------------	---------------------------

### Printer/Label Features

Number of Labels Across	1
Label Style	Die-Cut
Length of Label Roll	116.5 m[382.21 ft]
Label Thickness	75 Micron

### Packaging Features

Packaging Method	Roll
------------------	------



Packaging Quantity 5000

Other

Label Adhesive Type	High Tack Permanent Acrylic Adhesive
---------------------	--------------------------------------

Product Compliance

[For compliance documentation, visit the product page on TE.com>](#)

EU RoHS Directive 2011/65/EU	Compliant
EU ELV Directive 2000/53/EC	Compliant
China RoHS 2 Directive MIIT Order No 32, 2016	有害物质含量符合标准要求 No Restricted Substance(s) Above Threshold
EU REACH Regulation (EC) No. 1907/2006	Current ECHA Candidate List: JUNE 2025 (250) Candidate List Declared Against: JUNE 2024 (241) Does not contain REACH SVHC
Halogen Content	Low Halogen - Br, Cl, F < 900 ppm per homogenous material. Also BFR/CFR/PVC Free
Solder Process Capability	Not applicable for solder process capability

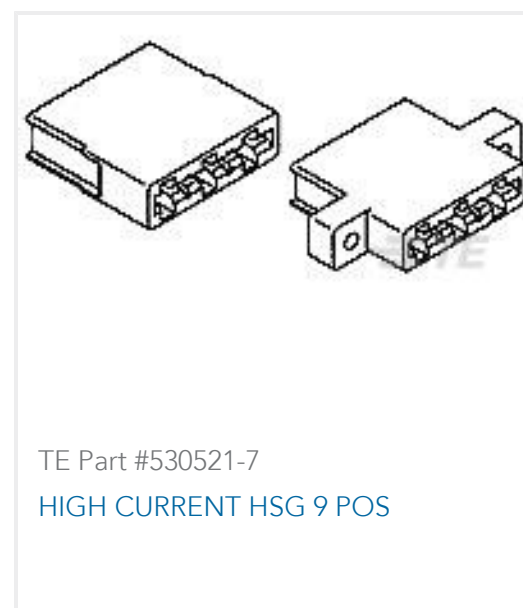
Product Compliance Disclaimer

This information is provided based on reasonable inquiry of our suppliers and represents our current actual knowledge based on the information they provided. This information is subject to change. The part numbers that TE has identified as EU RoHS compliant have a maximum concentration of 0.1% by weight in homogenous materials for lead, hexavalent chromium, mercury, PBB, PBDE, DBP, BBP, DEHP, DIBP, and 0.01% for cadmium, or qualify for an exemption to these limits as defined in the Annexes of Directive 2011/65/EU (RoHS2). Finished electrical and electronic equipment products will be CE marked as required by Directive 2011/65/EU. Components may not be CE marked. Additionally, the part numbers that TE has identified as EU ELV compliant have a maximum concentration of 0.1% by weight in homogenous materials for lead, hexavalent chromium, and mercury, and 0.01% for cadmium, or qualify for an exemption to these limits as defined in the Annexes of Directive 2000/53/EC (ELV). Regarding the REACH Regulation, the information TE provides on SVHC in articles for this part number is based on the latest European Chemicals Agency (ECHA) 'Guidance on requirements for substances in articles' posted at this URL: <https://echa.europa.eu/guidance-documents/guidance-on-reach>

Compatible Parts

 <p>TE Part # 1-2186503-1 T3224-SWARE-PRINTER</p>	 <p>TE Part # 1-2186500-1 T3212-PRINTER</p>	 <p>TE Part # 1-2186502-1 T3224-PRINTER</p>	 <p>TE Part # 1-2186501-1 T3212-SWARE-PRINTER</p>
--	--	--	--

## Customers Also Bought



## Documents

### Product Drawings

[WV-699191-5-9](#)

English

### Datasheets & Catalog Pages

[IDENTIFICATION SELECTION GUIDE](#)

English

[EET V-9](#)

English

### Product Specifications

[IDENTIFICATION PRINTER PRODUCT RIBBON MATRIX](#)

English