



RAYCHEM

TE Internal #: F00326-000

Housing Kit, Plug, Crimp, Wire-to-Wire, Gold, UL 94V-0, 20 Position, .099 in Centerline, 2 Row, 1500 VAC, Sealable, Standard Rectangular Connectors

[View on TE.com >](#)

Connectors > Rectangular Connectors > Standard Rectangular Connectors



Connector Product Type: **Housing Kit**

Connector & Housing Type: **Plug**

Mating Alignment: **With**

Mating Alignment Type: **Keyed**

Mating Retention: **With**

Features

Body Features

Connector & Keying Code	AD
Shell Plating Material	Nickel

Dimensions

Row-to-Row Spacing	2.54 mm[.1 in]
--------------------	----------------

Electrical Characteristics

Operating Voltage	1500 VAC
-------------------	----------

Contact Features

Contact Type	Pin
Wire Contact Termination Area Plating Material	Gold
Contact Mating Area Plating Material	Gold
Contact Retention Within Housing	With
Contact Current Rating (Max)	5 A

Product Type Features

Connector Shell Size	01
Connector Product Type	Housing Kit
Connector & Housing Type	Plug
Connector System	Wire-to-Wire
Sealable	Yes

Connector & Contact Terminates To

Wire & Cable

Mechanical Attachment

Mating Alignment

With

Mating Alignment Type

Keyed

Mating Retention

With

Mating Retention Type

Jackscrew

Connector Mounting Type

Cable Mount (Free-Hanging)

Termination Features

Termination Method to Wire & Cable

Crimp

Configuration Features

Number of Positions

20

Number of Rows

2

Housing Features

.099 in

Usage Conditions

Operating Temperature Range

-65 – 125 °C[-85 – 257 °F]

Operation/Application

Shielded

No

Circuit Application

Power & Signal

Industry Standards

UL Flammability Rating

UL 94V-0

Other

EU RoHS Compliance

Compliant

EU ELV Compliance

Compliant

Product Compliance

[For compliance documentation, visit the product page on TE.com>](#)

EU RoHS Directive 2011/65/EU

Compliant

EU ELV Directive 2000/53/EC

Compliant

China RoHS 2 Directive MIIT Order No 32, 2016

No Restricted Materials Above Threshold

EU REACH Regulation (EC) No. 1907/2006

Current ECHA Candidate List: JUNE 2024
(241)



Candidate List Declared Against: JAN 2024
(240)

SVHC > Threshold:

Octamethylcyclotetrasiloxane (D4) (1% in Component part)

Article Safe Usage Statements:

Wash thoroughly after handling. Recycle if possible and dispose of the article by following all applicable governmental regulations relevant to your geographic location.

Halogen Content

Not Yet Reviewed for halogen content

Solder Process Capability

Not applicable for solder process capability

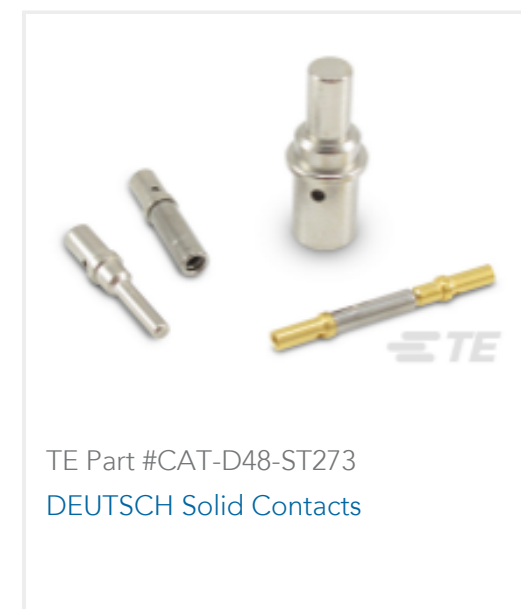
Product Compliance Disclaimer

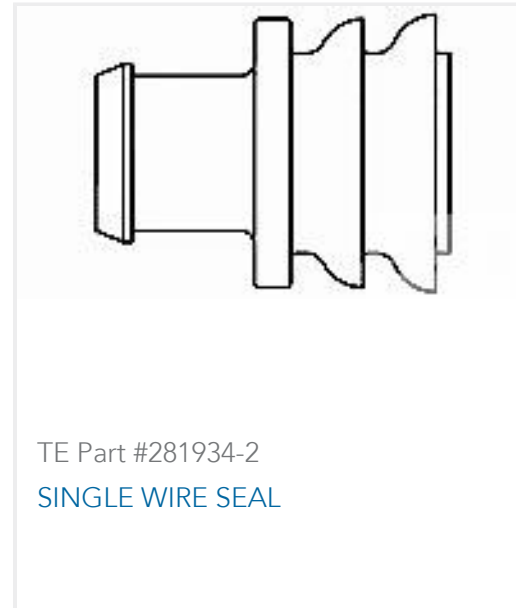
This information is provided based on reasonable inquiry of our suppliers and represents our current actual knowledge based on the information they provided. This information is subject to change. The part numbers that TE has identified as EU RoHS compliant have a maximum concentration of 0.1% by weight in homogenous materials for lead, hexavalent chromium, mercury, PBB, PBDE, DBP, BBP, DEHP, DIBP, and 0.01% for cadmium, or qualify for an exemption to these limits as defined in the Annexes of Directive 2011/65/EU (RoHS2). Finished electrical and electronic equipment products will be CE marked as required by Directive 2011/65/EU. Components may not be CE marked. Additionally, the part numbers that TE has identified as EU ELV compliant have a maximum concentration of 0.1% by weight in homogenous materials for lead, hexavalent chromium, and mercury, and 0.01% for cadmium, or qualify for an exemption to these limits as defined in the Annexes of Directive 2000/53/EC (ELV). Regarding the REACH Regulation, the information TE provides on SVHC in articles for this part number is based on the latest European Chemicals Agency (ECHA) 'Guidance on requirements for substances in articles' posted at this URL: <https://echa.europa.eu/guidance-documents/guidance-on-reach>

Compatible Parts



Customers Also Bought





Documents

CAD Files

[3D PDF](#)

3D

Customer View Model

[ENG_CVM_CVM_F00326-000_R.2d_dxf.zip](#)

English

Customer View Model

[ENG_CVM_CVM_F00326-000_R.3d_igs.zip](#)

English

Customer View Model

[ENG_CVM_CVM_F00326-000_R.3d_stp.zip](#)

English

By downloading the CAD file I accept and agree to the [Terms and Conditions](#) of use.

Product Specifications

[MTC Quick-Disconnect Connectors with Removable Contacts](#)

English