

Split Banding Ring

TE Internal #: EM6347-000

Split Ring Ferrule, Composite, Split Banding Ring

[View on TE.com >](#)



Connectors > Connector Accessories > Connector Strain Relief



Strain Relief Accessory Type: **Split Ring Ferrule**

Primary Product Material: **Composite**

Operating Temperature Range: **-65 – 175 °C [-85 – 347 °F]**

EU RoHS Compliance: **Compliant**

Features

Industry Standards

Compatible With Approved Standards Products	85049/93
---	----------

Dimensions

Product Length	22.35 mm [.88 in]
----------------	-------------------

Other

Entry Size Code	14
EU RoHS Compliance	Compliant

Product Type Features

Strain Relief Accessory Type	Split Ring Ferrule
------------------------------	--------------------

Body Features

Primary Product Material	Composite
--------------------------	-----------

Usage Conditions

Operating Temperature Range	-65 – 175 °C [-85 – 347 °F]
-----------------------------	-------------------------------

Product Compliance

[For compliance documentation, visit the product page on TE.com>](#)

EU RoHS Directive 2011/65/EU	Compliant
EU ELV Directive 2000/53/EC	Not Yet Reviewed
China RoHS 2 Directive MIIT Order No 32, 2016	No Restricted Materials Above Threshold
EU REACH Regulation (EC) No. 1907/2006	

Current ECHA Candidate List: JUNE 2024 (241)
 Candidate List Declared Against: JUNE 2022 (224)
 Does not contain REACH SVHC

Halogen Content

Low Halogen - Br, Cl, F, I < 900 ppm per homogenous material. Also BFR/CFR/PVC Free

Solder Process Capability

Not applicable for solder process capability

Product Compliance Disclaimer

This information is provided based on reasonable inquiry of our suppliers and represents our current actual knowledge based on the information they provided. This information is subject to change. The part numbers that TE has identified as EU RoHS compliant have a maximum concentration of 0.1% by weight in homogenous materials for lead, hexavalent chromium, mercury, PBB, PBDE, DBP, BBP, DEHP, DIBP, and 0.01% for cadmium, or qualify for an exemption to these limits as defined in the Annexes of Directive 2011/65/EU (RoHS2). Finished electrical and electronic equipment products will be CE marked as required by Directive 2011/65/EU. Components may not be CE marked. Additionally, the part numbers that TE has identified as EU ELV compliant have a maximum concentration of 0.1% by weight in homogenous materials for lead, hexavalent chromium, and mercury, and 0.01% for cadmium, or qualify for an exemption to these limits as defined in the Annexes of Directive 2000/53/EC (ELV). Regarding the REACH Regulation, the information TE provides on SVHC in articles for this part number is based on the latest European Chemicals Agency (ECHA) 'Guidance on requirements for substances in articles' posted at this URL: <https://echa.europa.eu/guidance-documents/guidance-on-reach>

Also in the Series | Split Banding Ring

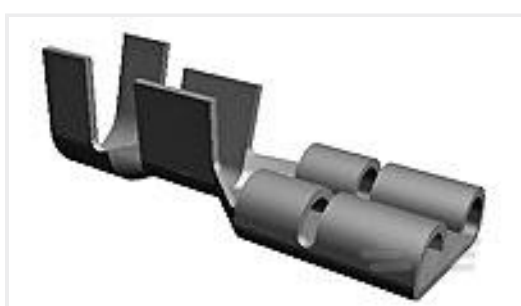


Connector Strain Relief(16)

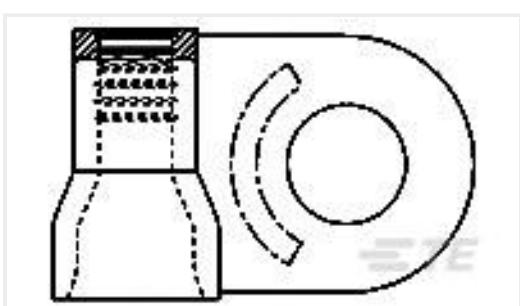
Customers Also Bought



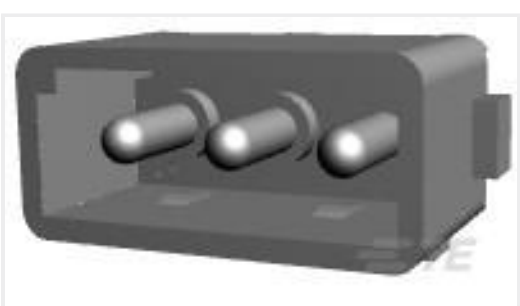
TE Part #933861-000
 SO63-3-9030



TE Part #100495-2
 250 FASTON,LIF REC.,16-20 AWG, TPBR



TE Part #32065
 TERMINAL,BODY FLAG R 22-16 6



TE Part #350423-1
 03P CMNL HDR ASSY PC NATL



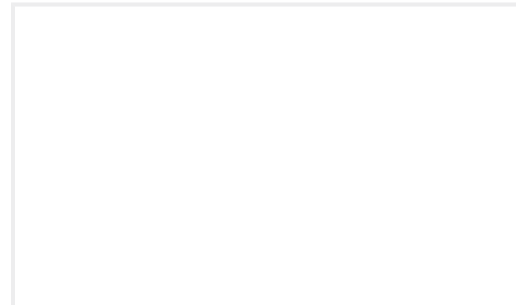
TE Part #065762-000
S03-02-R



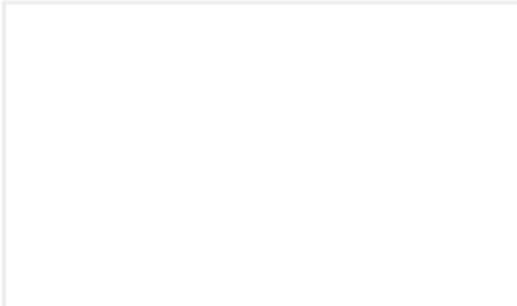
TE Part #EM6349-000
R85049/93-18



TE Part #5786555-5
50 50SR VRT RCPT,FL TOP,ACT PN



TE Part #MS27488-20-2
SEALING PLUGS



TE Part #MS27488-22-2
SEALING PLUG



TE Part #CZ6389-000
55PC0233-12-3/6/9CS2958

Documents

Product Drawings

[R85049/93-14](#)

English