



Wire Protection & Management > Heat Shrink Shapes > EMI Shielded Boots



Material Systems Code: **25**

Primary Product Material: **Modified Elastomer**

Adhesive Requirement: **Adhesive Purchased Separately**

Lipped: **No**

EU RoHS Compliance: **Compliant**

Features

Usage Conditions

| | |
|-----------------------------|--------------|
| Operating Temperature Range | -75 – 150 °C |
|-----------------------------|--------------|

Body Features

| | |
|--------------------------|--------------------|
| Primary Product Color | Black |
| Material Code | 25 |
| Material Systems Code | 25 |
| Primary Product Material | Modified Elastomer |

Configuration Features

| | |
|----------------------|-------------------------------|
| Adhesive Requirement | Adhesive Purchased Separately |
| Lipped | No |

Other

| | |
|--------------------|-----------|
| EU RoHS Compliance | Compliant |
|--------------------|-----------|

Product Compliance

[For compliance documentation, visit the product page on TE.com>](#)

| | |
|---|---|
| EU RoHS Directive 2011/65/EU | Compliant |
| EU ELV Directive 2000/53/EC | Not Yet Reviewed |
| China RoHS 2 Directive MIIT Order No 32, 2016 | No Restricted Materials Above Threshold |
| EU REACH Regulation (EC) No. 1907/2006 | |



Current ECHA Candidate List: JUNE 2024 (241)
 Candidate List Declared Against: JUNE 2024 (241)
 Does not contain REACH SVHC

| | |
|---------------------------|--|
| Halogen Content | Not Yet Reviewed for halogen content |
| Solder Process Capability | Not reviewed for solder process capability |

Product Compliance Disclaimer

This information is provided based on reasonable inquiry of our suppliers and represents our current actual knowledge based on the information they provided. This information is subject to change. The part numbers that TE has identified as EU RoHS compliant have a maximum concentration of 0.1% by weight in homogenous materials for lead, hexavalent chromium, mercury, PBB, PBDE, DBP, BBP, DEHP, DIBP, and 0.01% for cadmium, or qualify for an exemption to these limits as defined in the Annexes of Directive 2011/65/EU (RoHS2). Finished electrical and electronic equipment products will be CE marked as required by Directive 2011/65/EU. Components may not be CE marked. Additionally, the part numbers that TE has identified as EU ELV compliant have a maximum concentration of 0.1% by weight in homogenous materials for lead, hexavalent chromium, and mercury, and 0.01% for cadmium, or qualify for an exemption to these limits as defined in the Annexes of Directive 2000/53/EC (ELV). Regarding the REACH Regulation, the information TE provides on SVHC in articles for this part number is based on the latest European Chemicals Agency (ECHA) 'Guidance on requirements for substances in articles' posted at this URL: <https://echa.europa.eu/guidance-documents/guidance-on-reach>

Compatible Parts



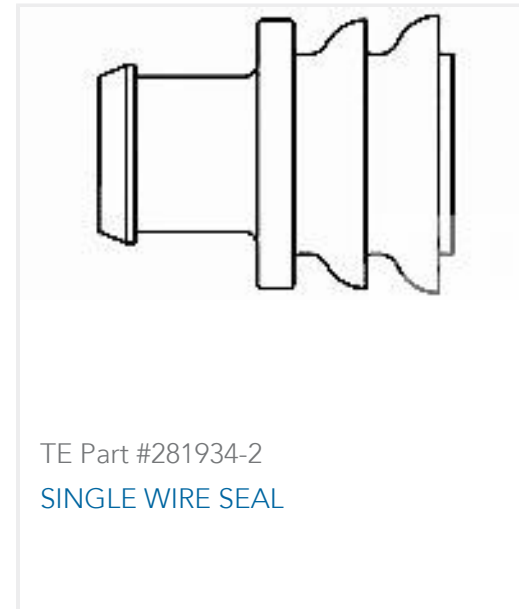
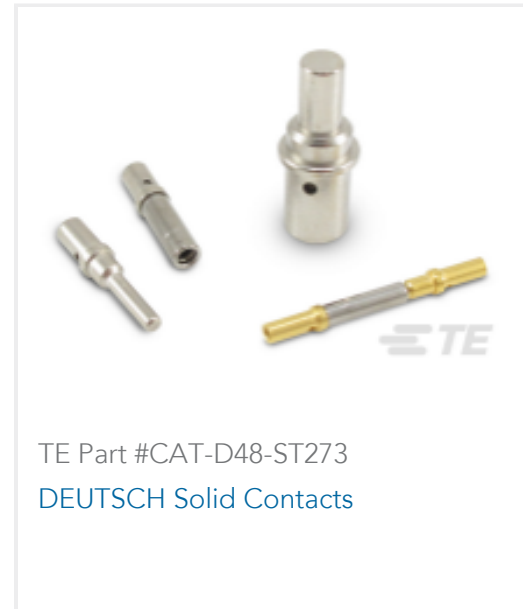
TE Part # 369276-000
 S1184-KIT-1

Also in the Series | RAYCHEM Rayaten



EMI Shielded Boots(79)

Customers Also Bought



Documents

Product Drawings

[234A052-25C-0](#)

English

Datasheets & Catalog Pages

[INSTALITE Molded Boots with Rayaten](#)

English