



RAYCHEM

TE Internal #: EG7236-000

600 VAC, Silver-Coated High Strength Copper Alloy, 22 AWG, -65 – 200 °C, Twisted Pair Cable

[View on TE.com >](#)

Wire & Cable > Twisted Pair Cable > 3 Core Twisted Pair Cable: Silver Coated Cable, 22 AWG



Operating Temperature Range: -65 – 200 °C [-85 – 392 °F]

Cable Type: **Spec 55**

Operating Voltage: **600 VAC**

Wire & Cable Insulation Material: **Modified Radiation Cross-linked ETFE Polymer**

Conductor Material: **Silver-Coated High Strength Copper Alloy**

[All 3 Core Twisted Pair Cable: Silver Coated Cable, 22 AWG \(6\)](#)

Features

Electrical Characteristics

Operating Voltage	600 VAC
-------------------	---------

Body Features

Wire & Cable Insulation Material	Modified Radiation Cross-linked ETFE Polymer
Conductor Material	Silver-Coated High Strength Copper Alloy

Dimensions

Wire Size	22 AWG
-----------	--------

Usage Conditions

Operating Temperature Range	-65 – 200 °C[-85 – 392 °F]
Cable Type	Spec 55

Product Compliance

[For compliance documentation, visit the product page on TE.com>](#)

EU RoHS Directive 2011/65/EU	Compliant
EU ELV Directive 2000/53/EC	Compliant
China RoHS 2 Directive MIIT Order No 32, 2016	No Restricted Materials Above Threshold
EU REACH Regulation (EC) No. 1907/2006	



Current ECHA Candidate List: JUNE 2025
(250)

Candidate List Declared Against: JAN 2025
(247)

Does not contain REACH SVHC

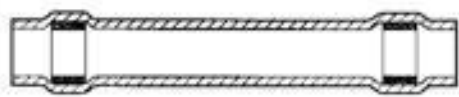
Halogen Content Out of Scope - excluded from Halogen requirements

Solder Process Capability Not applicable for solder process capability

Product Compliance Disclaimer

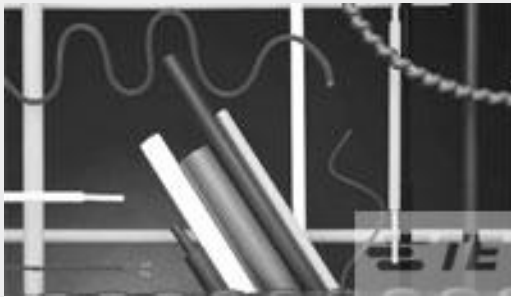
This information is provided based on reasonable inquiry of our suppliers and represents our current actual knowledge based on the information they provided. This information is subject to change. The part numbers that TE has identified as EU RoHS compliant have a maximum concentration of 0.1% by weight in homogenous materials for lead, hexavalent chromium, mercury, PBB, PBDE, DBP, BBP, DEHP, DIBP, and 0.01% for cadmium, or qualify for an exemption to these limits as defined in the Annexes of Directive 2011/65/EU (RoHS2). Finished electrical and electronic equipment products will be CE marked as required by Directive 2011/65/EU. Components may not be CE marked. Additionally, the part numbers that TE has identified as EU ELV compliant have a maximum concentration of 0.1% by weight in homogenous materials for lead, hexavalent chromium, and mercury, and 0.01% for cadmium, or qualify for an exemption to these limits as defined in the Annexes of Directive 2000/53/EC (ELV). Regarding the REACH Regulation, the information TE provides on SVHC in articles for this part number is based on the latest European Chemicals Agency (ECHA) 'Guidance on requirements for substances in articles' posted at this URL: <https://echa.europa.eu/guidance-documents/guidance-on-reach>

Compatible Parts



TE Part # D17660-000
D-200-82

Customers Also Bought



TE Part #5804464001
CGPT-25.4/12.7-4-FSP



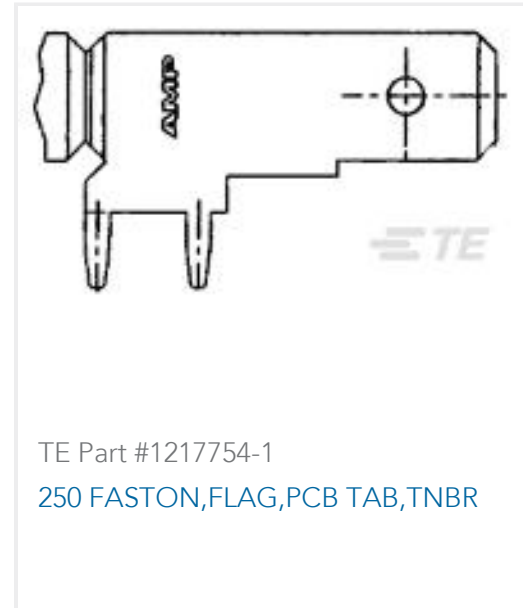
TE Part #280389-2
2X4P MODU II SHRD HDR,RT ANG,
0.38AU



TE Part #641964-1
02P UMNL PIN HDR ASSY POL 94VO



TE Part #641968-1
04P UMNL PIN HDR ASSY POL 94VO



Documents

Product Drawings

[55PC2134-22-3/6/9-9](#)

English

Datasheets & Catalog Pages

[Raychem Wire and Cable Quick Reference Guide](#)

English

Product Specifications

[Product Specification](#)

English