



ZHD-SCE

TE Internal #: EC9856-000

Ladder, Fluid Resistant & Low Fire Hazard, 2:1, Yellow, 1 Markers per Sleeve, 50 mm [2 in] Length, ZHD-SCE, Printable Tubing

[View on TE.com >](#)

Identification & Labeling > Printable Tubing > Fluid Resistant Sleeves, ZHD-SCE



Printable Tubing Type: **Ladder**

Printable Tubing Grade: **Fluid Resistant & Low Fire Hazard**

Shrink Ratio: **2:1**

Primary Product Color: **Yellow**

Markers per Sleeve: **1**

[All Fluid Resistant Sleeves, ZHD-SCE \(59\)](#)

Features

Printer/Label Features

Printer Technology	Thermal Transfer
--------------------	------------------

Packaging Features

Packaging Quantity	1000
--------------------	------

Product Type Features

Printable Tubing Type	Ladder
Printable Tubing Grade	Fluid Resistant & Low Fire Hazard

Body Features

Shrink Ratio	2:1
Primary Product Color	Yellow
Markers per Sleeve	1

Dimensions

Product Length	50 mm[2 in]
Expanded Inside Diameter (Min)	9.5 mm[.375 in]
Recovered Inside Diameter (Max)	4.7 mm[.187 in]
Compatible Cable Diameter Range	5.5 – 8.1 mm[.22 – .32 in]

Usage Conditions



Operating Temperature Range	-55 – 135 °C[-67 – 275 °F]
-----------------------------	----------------------------

Other

EU RoHS Compliance	Compliant
EU ELV Compliance	Compliant

Product Compliance

[For compliance documentation, visit the product page on TE.com>](#)

EU RoHS Directive 2011/65/EU	Compliant
EU ELV Directive 2000/53/EC	Compliant
China RoHS 2 Directive MIIT Order No 32, 2016	No Restricted Materials Above Threshold
EU REACH Regulation (EC) No. 1907/2006	Current ECHA Candidate List: JUNE 2024 (241) Candidate List Declared Against: JUNE 2024 (241) Does not contain REACH SVHC
Halogen Content	Low Halogen - Br, Cl, F, I < 900 ppm per homogenous material. Also BFR/CFR/PVC Free
Solder Process Capability	Not applicable for solder process capability

Product Compliance Disclaimer

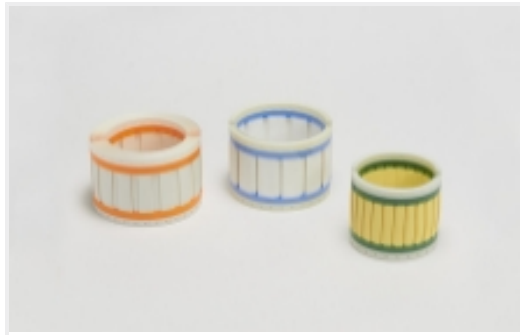
This information is provided based on reasonable inquiry of our suppliers and represents our current actual knowledge based on the information they provided. This information is subject to change. The part numbers that TE has identified as EU RoHS compliant have a maximum concentration of 0.1% by weight in homogenous materials for lead, hexavalent chromium, mercury, PBB, PBDE, DBP, BBP, DEHP, DIBP, and 0.01% for cadmium, or qualify for an exemption to these limits as defined in the Annexes of Directive 2011/65/EU (RoHS2). Finished electrical and electronic equipment products will be CE marked as required by Directive 2011/65/EU. Components may not be CE marked. Additionally, the part numbers that TE has identified as EU ELV compliant have a maximum concentration of 0.1% by weight in homogenous materials for lead, hexavalent chromium, and mercury, and 0.01% for cadmium, or qualify for an exemption to these limits as defined in the Annexes of Directive 2000/53/EC (ELV). Regarding the REACH Regulation, the information TE provides on SVHC in articles for this part number is based on the latest European Chemicals Agency (ECHA) 'Guidance on requirements for substances in articles' posted at this URL: <https://echa.europa.eu/guidance-documents/guidance-on-reach>

Compatible Parts





Also in the Series | ZHD-SCE



Printable Tubing(59)

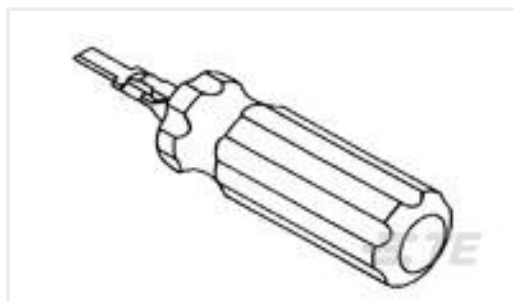
Customers Also Bought



TE Part #CAT-T3437-Z614
Fluid Resistant Sleeves, ZHD-SCE



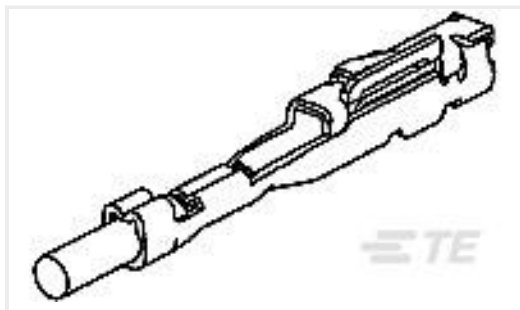
TE Part #1-967059-1
J-P-T GEH KOMPL 4P



TE Part #1276716-1
EXT-TOOL FOR DYNAMIC D2 CONN



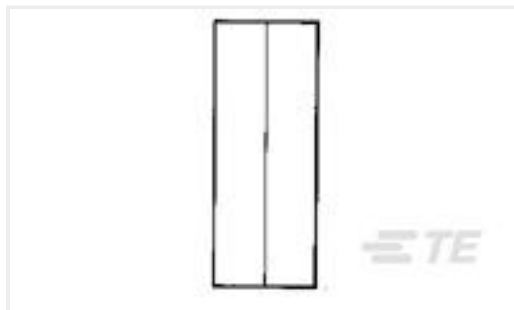
TE Part #828905-1
SINGLE-WIRE-SEAL(5MM HOLE)



TE Part #1123343-2
025 REC CONTACT GOLD FORMING



TE Part #1318107-1
DYNAMIC D-2000 REC CONT M L/P



TE Part #34130
SPLICE,SOLIS PARA 22-16



TE Part #2-1318118-9
DYNAMIC D2100 REC HSG 20P Y



TE Part #1108719-1
EMV-K.6/16.STO1.13G

Documents

Datasheets & Catalog Pages

IDENTIFICATION SELECTION GUIDE

English

TTDS for ZHD-SCE, LOW FIRE HAZARD, DIESEL RESISTANT

English

Product Specifications



Product Specification

English

IDENTIFICATION PRINTER PRODUCT RIBBON MATRIX

English

Instruction Sheets

[Instruction Sheet \(non U.S.\)](#)

English