

UV-SCE-3/8-2.0-4 ✓ ACTIVE

RAYCHEM | RAYCHEM UV-SCE

TE Internal #: EC6640-000

Ladder, UV Resistant, 2:1, Yellow, 1 Markers per Sleeve, 50 mm [2 in] Length, 9.5 mm [.375 in] Expanded Inside, RAYCHEM UV-SCE, Printable Tubing

[View on TE.com >](#)



Identification & Labeling > Printable Tubing > UV Resistant Sleeves, UV-SCE



Printable Tubing Type: **Ladder**

Printable Tubing Grade: **UV Resistant**

Shrink Ratio: **2:1**

Primary Product Color: **Yellow**

Markers per Sleeve: **1**

[All UV Resistant Sleeves, UV-SCE \(22\)](#)

Features

Printer/Label Features

| | |
|--------------------|------------------|
| Printer Technology | Thermal Transfer |
|--------------------|------------------|

Packaging Features

| | |
|--------------------|-----|
| Packaging Quantity | 250 |
|--------------------|-----|

Product Type Features

| | |
|------------------------|--------------|
| Printable Tubing Type | Ladder |
| Printable Tubing Grade | UV Resistant |

Body Features

| | |
|-----------------------|--------|
| Shrink Ratio | 2:1 |
| Primary Product Color | Yellow |
| Markers per Sleeve | 1 |

Dimensions

| | |
|---------------------------------|------------------------------|
| Product Length | 50 mm[2 in] |
| Expanded Inside Diameter (Min) | 9.5 mm[.375 in] |
| Recovered Inside Diameter (Max) | 4.75 mm[.187 in] |
| Compatible Cable Diameter Range | 5.3 – 8.1 mm[.209 – .319 in] |

Usage Conditions



| | |
|-----------------------------|--------------|
| Operating Temperature Range | -67 – 392 °C |
|-----------------------------|--------------|

Other

| | |
|--------------------|-----------|
| EU RoHS Compliance | Compliant |
| EU ELV Compliance | Compliant |

Product Compliance

[For compliance documentation, visit the product page on TE.com>](#)

| | |
|---|---|
| EU RoHS Directive 2011/65/EU | Compliant |
| EU ELV Directive 2000/53/EC | Compliant |
| China RoHS 2 Directive MIIT Order No 32, 2016 | No Restricted Materials Above Threshold |
| EU REACH Regulation (EC) No. 1907/2006 | Current ECHA Candidate List: JUNE 2024 (241) Candidate List Declared Against: JUNE 2024 (241) Does not contain REACH SVHC |
| Halogen Content | Low Bromine/Chlorine - Br and Cl < 900 ppm per homogenous material. Also BFR /CFR/PVC Free |
| Solder Process Capability | Not applicable for solder process capability |

Product Compliance Disclaimer

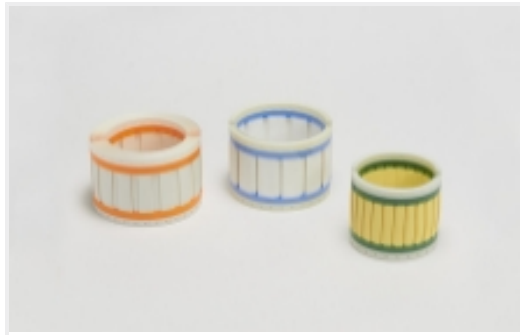
This information is provided based on reasonable inquiry of our suppliers and represents our current actual knowledge based on the information they provided. This information is subject to change. The part numbers that TE has identified as EU RoHS compliant have a maximum concentration of 0.1% by weight in homogenous materials for lead, hexavalent chromium, mercury, PBB, PBDE, DBP, BBP, DEHP, DIBP, and 0.01% for cadmium, or qualify for an exemption to these limits as defined in the Annexes of Directive 2011/65/EU (RoHS2). Finished electrical and electronic equipment products will be CE marked as required by Directive 2011/65/EU. Components may not be CE marked. Additionally, the part numbers that TE has identified as EU ELV compliant have a maximum concentration of 0.1% by weight in homogenous materials for lead, hexavalent chromium, and mercury, and 0.01% for cadmium, or qualify for an exemption to these limits as defined in the Annexes of Directive 2000/53/EC (ELV). Regarding the REACH Regulation, the information TE provides on SVHC in articles for this part number is based on the latest European Chemicals Agency (ECHA) 'Guidance on requirements for substances in articles' posted at this URL: <https://echa.europa.eu/guidance-documents/guidance-on-reach>

Compatible Parts





Also in the Series | RAYCHEM UV-SCE



[Printable Tubing\(22\)](#)

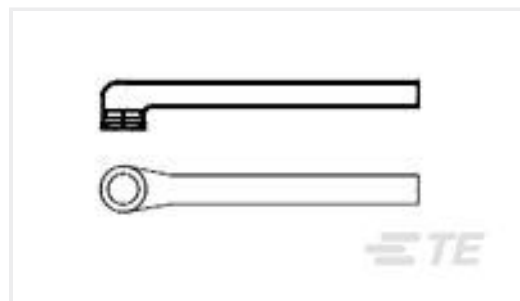
Customers Also Bought



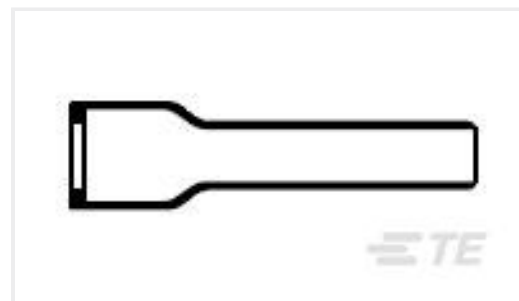
TE Part #159310-000
[SO63-5-55-22-5](#)



TE Part #747784-8
[JACKSCREW KIT,4-40, BULK](#)



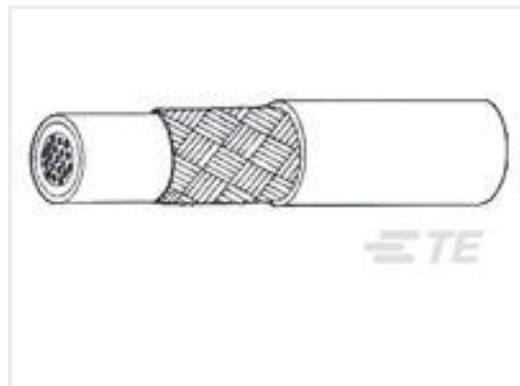
TE Part #808605-000
[222D132-4/42-0](#)



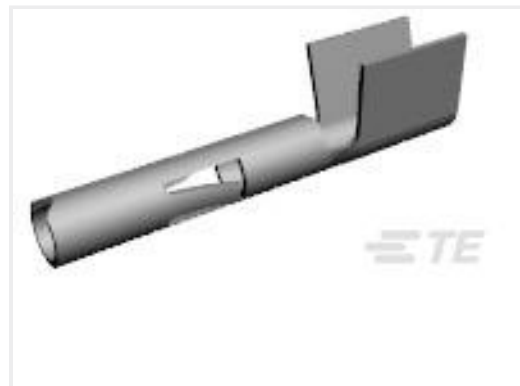
TE Part #811134-000
[202D221-12-0](#)



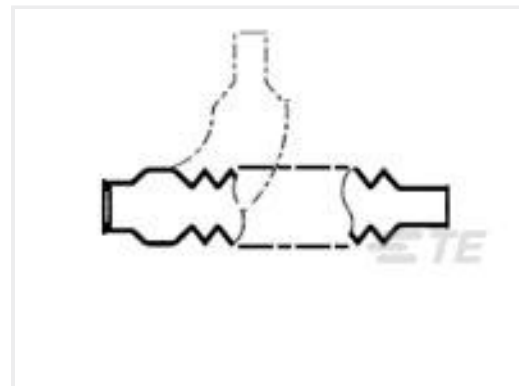
TE Part #EG4243-000
[PWR0113-0000-0](#)



TE Part #970155-000
[44AM1111-20-9-9CS2275](#)



TE Part #640310-3
[UMNL SOK 12-10 PTPPHBZ](#)



TE Part #806234-000
[202C621-50-0](#)



TE Part #EG4241-000
[PWR0113-00-0](#)

Documents

Datasheets & Catalog Pages

[UV-SCE](#)

English

Product Specifications

[UV-SCE](#)

English



IDENTIFICATION PRINTER PRODUCT RIBBON MATRIX

English

Instruction Sheets

[Instruction Sheet \(non U.S.\)](#)

English