



TE Internal #: EC1950-000

Ladder, Fluid Resistant, 3:1, Green, 1 Markers per Sleeve, 50.8 mm [2 in] Length, 25.4 mm [1 in] Expanded Inside, Printable Tubing

[View on TE.com >](#)

Identification & Labeling > Printable Tubing > D-SCE Fluid Resistant Sleeves



Printable Tubing Type: **Ladder**

Printable Tubing Grade: **Fluid Resistant**

Shrink Ratio: **3:1**

Primary Product Color: **Green**

Markers per Sleeve: **1**

[All D-SCE Fluid Resistant Sleeves \(65\)](#)

Features

Printer/Label Features

Printer Technology	Thermal Transfer
--------------------	------------------

Product Type Features

Printable Tubing Type	Ladder
Printable Tubing Grade	Fluid Resistant

Body Features

Shrink Ratio	3:1
Primary Product Color	Green
Markers per Sleeve	1

Dimensions

Product Length	50.8 mm[2 in]
Expanded Inside Diameter (Min)	25.4 mm[1 in]
Recovered Inside Diameter (Max)	8.46 mm[.333 in]
Compatible Cable Diameter Range	9.29 – 21.59 mm[.366 – .85 in]

Usage Conditions

Operating Temperature Range	-75 – 135 °C[-103 – 275 °F]
-----------------------------	-----------------------------

Other

EU RoHS Compliance	Compliant
--------------------	-----------



EU ELV Compliance

Compliant

Product Compliance

[For compliance documentation, visit the product page on TE.com>](#)

EU RoHS Directive 2011/65/EU

Compliant

EU ELV Directive 2000/53/EC

Compliant

China RoHS 2 Directive MIIT Order No 32, 2016

No Restricted Materials Above Threshold

EU REACH Regulation (EC) No. 1907/2006

Current ECHA Candidate List: JUNE 2024 (241)
 Candidate List Declared Against: JUNE 2024 (241)
 Does not contain REACH SVHC

Halogen Content

Not Low Halogen - contains Br or Cl > 900 ppm.

Solder Process Capability

Not applicable for solder process capability

Product Compliance Disclaimer

This information is provided based on reasonable inquiry of our suppliers and represents our current actual knowledge based on the information they provided. This information is subject to change. The part numbers that TE has identified as EU RoHS compliant have a maximum concentration of 0.1% by weight in homogenous materials for lead, hexavalent chromium, mercury, PBB, PBDE, DBP, BBP, DEHP, DIBP, and 0.01% for cadmium, or qualify for an exemption to these limits as defined in the Annexes of Directive 2011/65/EU (RoHS2). Finished electrical and electronic equipment products will be CE marked as required by Directive 2011/65/EU. Components may not be CE marked. Additionally, the part numbers that TE has identified as EU ELV compliant have a maximum concentration of 0.1% by weight in homogenous materials for lead, hexavalent chromium, and mercury, and 0.01% for cadmium, or qualify for an exemption to these limits as defined in the Annexes of Directive 2000/53/EC (ELV). Regarding the REACH Regulation, the information TE provides on SVHC in articles for this part number is based on the latest European Chemicals Agency (ECHA) 'Guidance on requirements for substances in articles' posted at this URL: <https://echa.europa.eu/guidance-documents/guidance-on-reach>

Compatible Parts



TE Part # 311292-000
 TMS-RJS-RIBBON-4DSCE



TE Part # 1-2186501-1
 T3212-SWARE-PRINTER



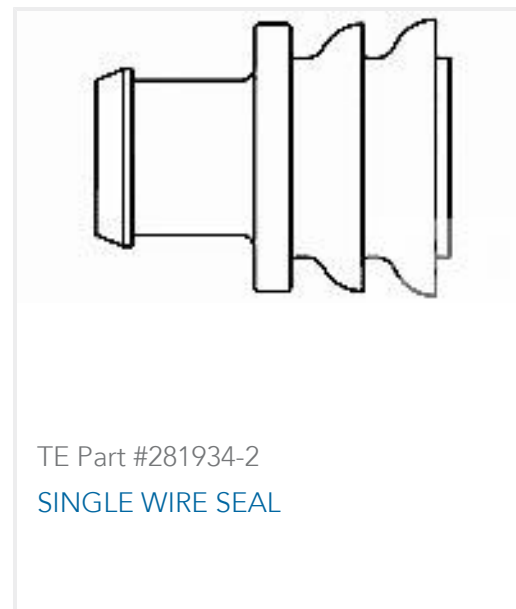
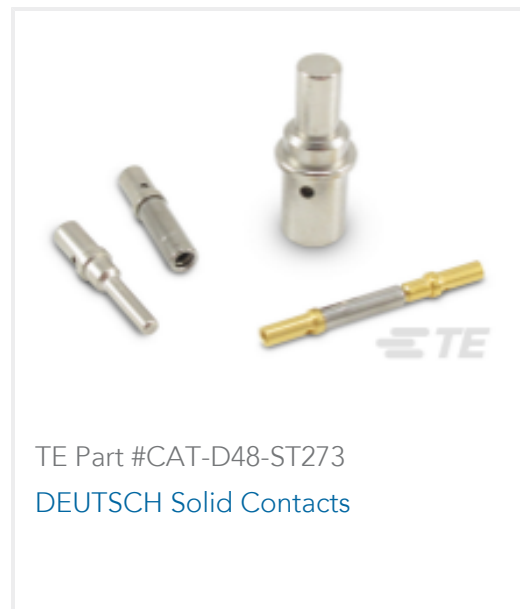
TE Part # F55931-000
 1966-RIBBON



TE Part # 1-2186503-1
 T3224-SWARE-PRINTER



Customers Also Bought



Documents

Datasheets & Catalog Pages

D-SCE Heat Shrink Identification Sleeves

English

Product Specifications

Product Specification

English

IDENTIFICATION PRINTER PRODUCT RIBBON MATRIX

English

Instruction Sheets

Instruction Sheet (non U.S.)

English