



Z-Type Marker

TE Internal #: EC1220-000

Red Pre-Printed Marker, Push-On, Size 18, Printed Marking 2, Black Print, Straight Cut, 4.5 mm [.177 in] Width, Flexible PVC, Z-Type Marker

[View on TE.com >](#)

Identification & Labeling > Pre-Printed Markers > Z-Type Push-On Markers



Marker Style: **Push-On**

Marker Size: **18**

Compatible Cable Diameter Range: **4.3 – 6.9 mm [.169 – .271 in]**

Primary Product Color: **Red**

Marker Cut: **Straight**

[All Z-Type Push-On Markers \(1453\)](#)

Features

Body Features

Marker Style	Push-On
Marker Size	18
Primary Product Color	Red
Primary Product Material	Flexible PVC

Dimensions

Compatible Cable Diameter Range	4.3 – 6.9 mm [.169 – .271 in]
Product Width	4.5 mm [.177 in]

Printer/Label Features

Marker Cut	Straight
Marking Details	2

Packaging Features

Packaging Quantity	500
--------------------	-----

Other

Printed Marking Color	Black
-----------------------	-------

Product Compliance

[For compliance documentation, visit the product page on TE.com>](#)



EU RoHS Directive 2011/65/EU	Compliant
EU ELV Directive 2000/53/EC	Compliant
China RoHS 2 Directive MIIT Order No 32, 2016	有害物质含量符合标准要求 No Restricted Substance(s) Above Threshold
EU REACH Regulation (EC) No. 1907/2006	Current ECHA Candidate List: JUNE 2025 (250) Candidate List Declared Against: JUNE 2025 (250) Does not contain REACH SVHC
Halogen Content	Not Low Halogen - contains Br or Cl > 900 ppm.
Solder Process Capability	Not applicable for solder process capability

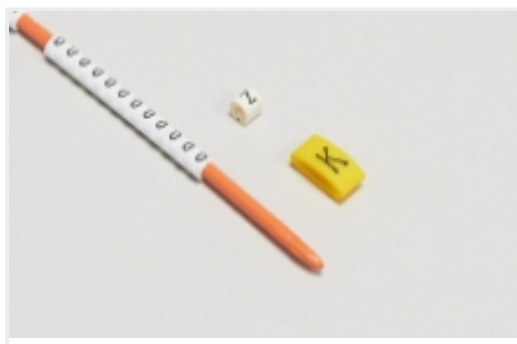
Product Compliance Disclaimer

This information is provided based on reasonable inquiry of our suppliers and represents our current actual knowledge based on the information they provided. This information is subject to change. The part numbers that TE has identified as EU RoHS compliant have a maximum concentration of 0.1% by weight in homogenous materials for lead, hexavalent chromium, mercury, PBB, PBDE, DBP, BBP, DEHP, DIBP, and 0.01% for cadmium, or qualify for an exemption to these limits as defined in the Annexes of Directive 2011/65/EU (RoHS2). Finished electrical and electronic equipment products will be CE marked as required by Directive 2011/65/EU. Components may not be CE marked. Additionally, the part numbers that TE has identified as EU ELV compliant have a maximum concentration of 0.1% by weight in homogenous materials for lead, hexavalent chromium, and mercury, and 0.01% for cadmium, or qualify for an exemption to these limits as defined in the Annexes of Directive 2000/53/EC (ELV). Regarding the REACH Regulation, the information TE provides on SVHC in articles for this part number is based on the latest European Chemicals Agency (ECHA) 'Guidance on requirements for substances in articles' posted at this URL: <https://echa.europa.eu/guidance-documents/guidance-on-reach>

Compatible Parts



Also in the Series | [Z-Type Marker](#)



Pre-Printed Markers(1395)

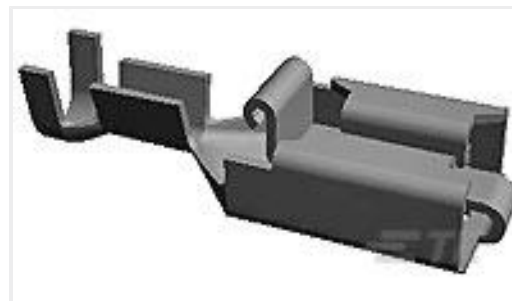
Customers Also Bought



TE Part #EC1222-000
06201404



TE Part #36916
TERMINAL,SOLIS R 1/0 5/16



TE Part #160759-4
PL 250 TERMINAL REC 0.5-1.5 MM2
TPPHBZ



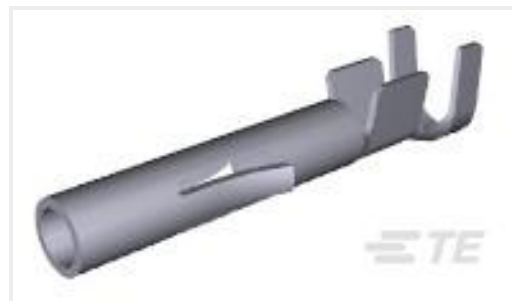
TE Part #CAT-035-DCRSS201
D-Sub Crimp Recpt Signal 9 Posn,
Socket Size 20, Shell Size 1



TE Part #167293-1
15P.HDP20 PLUG ASSY



TE Part #3-336369-5
250 FASTON HSG.,REC.,1 POS,BLACK



TE Part #350536-3
UMNL SOK 20-14 .0125 PTPPHBZ



TE Part #350779-1
04P UMNL PLUG HSG



TE Part #710028-1
XCT 70-8

Documents

Datasheets & Catalog Pages

Z-type Wire & Cable Markers

English

Z-TYPE Marker Technical datasheet

English

Cable Identification Product Shelf Life

English



Product Specifications

RW-2535 Specification for Pre-Printed Markers

English