



Wire Protection & Management > Heat Shrink Shapes > Heat Shrink Boots > Convoluted Heat Shrink Uni Boots: Lipped, Straight



Body Orientation: **Straight**

Molded Part Shape Code: **202**

Lipped: **Yes**

Material Code: **770**

Material Systems Code: **770**

[All Convoluted Heat Shrink Uni Boots: Lipped, Straight \(59\)](#)

## Features

### Dimensions

Connector or Backshell Outside Diameter	34 mm, 32 mm, 26 mm, 30 mm, 28 mm [1.02 in][1.1 in][1.18 in][1.26 in][1.34 in]
Compatible Cable Diameter (Max)	26 mm, 28 mm, 24 mm, 22 mm, 20 mm [1.02 in][1.1 in][.94 in][.78 in][.86 in]

### Body Features

Primary Product Material	NBCCS
Material Code	770
Material Systems Code	770

### Configuration Features

Lipped	Yes
--------	-----

### Housing Features

Body Orientation	Straight
------------------	----------

### Usage Conditions

Operating Temperature Range	-55 – 125 °C [-67 – 257 °F]
Resistance Protection	Chemical, Biological, Radiological & Nuclear (CBRN)

### Other

Molded Part Shape Code	202
EU RoHS Compliance	Compliant
EU ELV Compliance	Compliant

## Product Compliance

[For compliance documentation, visit the product page on TE.com>](#)

EU RoHS Directive 2011/65/EU	Compliant
EU ELV Directive 2000/53/EC	Compliant
China RoHS 2 Directive MIIT Order No 32, 2016	No Restricted Materials Above Threshold
EU REACH Regulation (EC) No. 1907/2006	Current ECHA Candidate List: JUNE 2024 (241) Candidate List Declared Against: JUNE 2024 (241) Does not contain REACH SVHC
Halogen Content	Low Bromine/Chlorine - Br and Cl < 900 ppm per homogenous material. Also BFR /CFR/PVC Free
Solder Process Capability	Not applicable for solder process capability

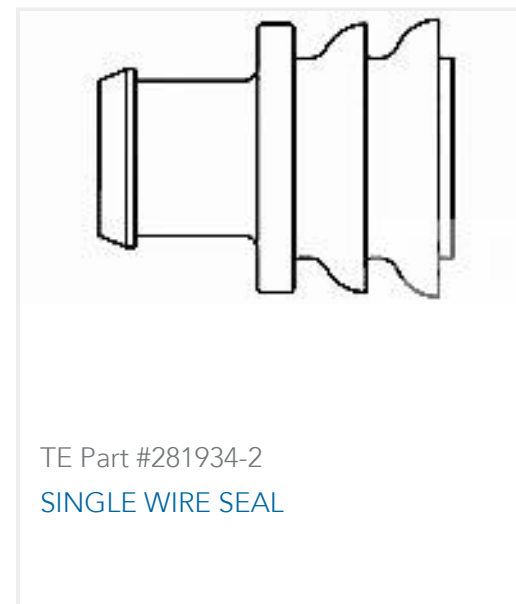
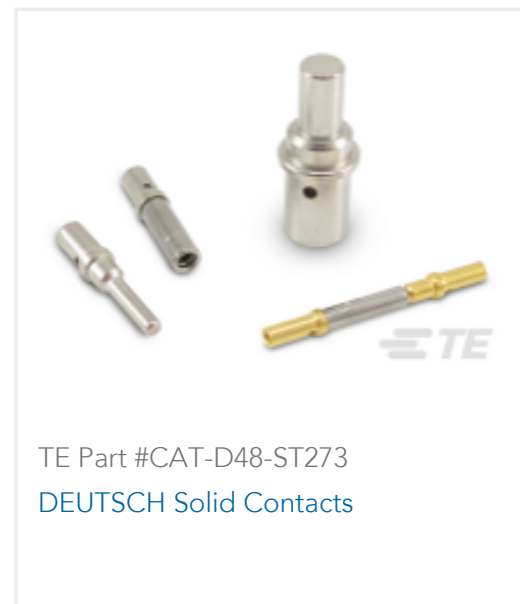
### Product Compliance Disclaimer

This information is provided based on reasonable inquiry of our suppliers and represents our current actual knowledge based on the information they provided. This information is subject to change. The part numbers that TE has identified as EU RoHS compliant have a maximum concentration of 0.1% by weight in homogenous materials for lead, hexavalent chromium, mercury, PBB, PBDE, DBP, BBP, DEHP, DIBP, and 0.01% for cadmium, or qualify for an exemption to these limits as defined in the Annexes of Directive 2011/65/EU (RoHS2). Finished electrical and electronic equipment products will be CE marked as required by Directive 2011/65/EU. Components may not be CE marked. Additionally, the part numbers that TE has identified as EU ELV compliant have a maximum concentration of 0.1% by weight in homogenous materials for lead, hexavalent chromium, and mercury, and 0.01% for cadmium, or qualify for an exemption to these limits as defined in the Annexes of Directive 2000/53/EC (ELV). Regarding the REACH Regulation, the information TE provides on SVHC in articles for this part number is based on the latest European Chemicals Agency (ECHA) 'Guidance on requirements for substances in articles' posted at this URL: <https://echa.europa.eu/guidance-documents/guidance-on-reach>

## Compatible Parts



## Customers Also Bought



## Documents

### Product Drawings

[202C642-770-0](#)

English

### Datasheets & Catalog Pages

[1654025\\_Sec4\\_-770](#)

English

### Raychem Molded Parts Visual Guide

English

### Product Specifications

Molded Components Nuclear, Biological, Chemical Contamination Survivable Modified Fluoropolymer, Radiation Crosslinked, Heat Shrinkable

English