

# DRC20-75P0102 ✓ ACTIVE

DEUTSCH | DEUTSCH DRC

TE Internal #: DRC20-75P0102

PCB Mount Receptacle, Vertical, Wire-to-Board, 75 Position, 4.42 mm [.174 in] Centerline, Fully Shrouded, Gold, Through Hole - Solder, Sealable

[View on TE.com >](#)



Connectors > PCB Connectors > PCB Headers & Receptacles > DEUTSCH DRC Headers



PCB Connector Assembly Type: **PCB Mount Receptacle**

PCB Mount Orientation: **Vertical**

Connector System: **Wire-to-Board**

Number of Positions: **75**

Number of Rows: **5**

[All DEUTSCH DRC Headers \(44\)](#)

## Features

### Electrical Characteristics

Operating Voltage	250 VDC
Voltage Rating (Max)	250 VDC
Nominal Voltage Architecture	24 V, 12 V

### Dimensions

Connector Width	144.42 mm[5.686 in]
PCB Thickness (Recommended)	.78 – 2.36 mm[.031 – .093 in]
Profile Height from PCB	28.32 mm[1.115 in]
Connector Length	46.41 mm[1.827 in]

### Packaging Features

Packaging Quantity	60
Packaging Method	Box

### Industry Standards



IP Rating	Not Tested
UL Rating	Recognized
UL Flammability Rating	UL 94V-0

### Usage Conditions

Operating Temperature (Max)	125 °C[257 °F]
Operating Temperature Range	-55 – 125 °C[-67 – 257 °F]

### Body Features

Connector & Keying Code	0102
Primary Product Color	Black

### Operation/Application

Shielded	No
Circuit Application	Power & Signal

### Mechanical Attachment

Panel Mount Feature	With
Mating Retention Type	Locking Interface
Mounting Holes	With
Mating Retention	With
PCB Mount Retention Type	Mounting Screw
PCB Mount Retention	With
PCB Mount Alignment	With
Connector Mounting Type	Board Mount
Mating Alignment	Without

### Contact Features

Mating Pin Diameter	2.39 mm, 1.02 mm[.094 in][.04 in]
Contact Mating Area Plating Material	Gold
Contact Type	Pin
Contact Current Rating (Max)	25 A, 7.5 A

### Configuration Features

Number of Signal Positions	68
Number of Sections	4
PCB Mount Orientation	Vertical
Number of Positions	75



Number of Rows	5
----------------	---

### Product Type Features

Mixed & Hybrid Header	No
PCB Connector Assembly Type	PCB Mount Receptacle
Connector System	Wire-to-Board
Header Type	Fully Shrouded
Sealable	Yes
Connector & Contact Terminates To	Wire & Cable

### Termination Features

Termination Method to PCB	Through Hole - Solder
---------------------------	-----------------------

### Housing Features

Centerline (Pitch)	4.42 mm [.174 in]
--------------------	-------------------

### Other

EU RoHS Compliance	Compliant with Exemptions
EU ELV Compliance	Compliant with Exemptions

## Product Compliance

[For compliance documentation, visit the product page on TE.com>](#)

EU RoHS Directive 2011/65/EU	Compliant with Exemptions
EU ELV Directive 2000/53/EC	Compliant with Exemptions
China RoHS 2 Directive MIIT Order No 32, 2016	Restricted Materials Above Threshold
EU REACH Regulation (EC) No. 1907/2006	<p>Current ECHA Candidate List: JUNE 2024 (241)</p> <p>Candidate List Declared Against: JUNE 2024 (241)</p> <p>SVHC &gt; Threshold:</p> <p>Octamethylcyclotetrasiloxane (D4) (.5% in Component Part)</p> <p>Dodecamethylcyclohexasiloxane (D6) (.5% in Component Part)</p> <p>Decamethylcyclopentasiloxane (D5) (.5% in Component Part)</p> <p>Pb (1.2% in Component Part)</p> <p><b>Article Safe Usage Statements:</b> Do not eat, drink or smoke when using this product. Wash thoroughly after handling. Recycle if possible and dispose of the article by following all applicable governmental regulations relevant to your geographic location.</p>

Halogen Content	Not Low Halogen - contains Br or Cl > 900 ppm.
-----------------	--

Solder Process Capability	Not reviewed for solder process capability
---------------------------	--


Product Compliance Disclaimer

This information is provided based on reasonable inquiry of our suppliers and represents our current actual knowledge based on the information they provided. This information is subject to change. The part numbers that TE has identified as EU RoHS compliant have a maximum concentration of 0.1% by weight in homogenous materials for lead, hexavalent chromium, mercury, PBB, PBDE, DBP, BBP, DEHP, DIBP, and 0.01% for cadmium, or qualify for an exemption to these limits as defined in the Annexes of Directive 2011/65/EU (RoHS2). Finished electrical and electronic equipment products will be CE marked as required by Directive 2011/65/EU. Components may not be CE marked. Additionally, the part numbers that TE has identified as EU ELV compliant have a maximum concentration of 0.1% by weight in homogenous materials for lead, hexavalent chromium, and mercury, and 0.01% for cadmium, or qualify for an exemption to these limits as defined in the Annexes of Directive 2000/53/EC (ELV). Regarding the REACH Regulation, the information TE provides on SVHC in articles for this part number is based on the latest European Chemicals Agency (ECHA) 'Guidance on requirements for substances in articles' posted at this URL: <https://echa.europa.eu/guidance-documents/guidance-on-reach>

### Compatible Parts




TE Part # CAT-D799-CH8172  
DEUTSCH DRC Housings

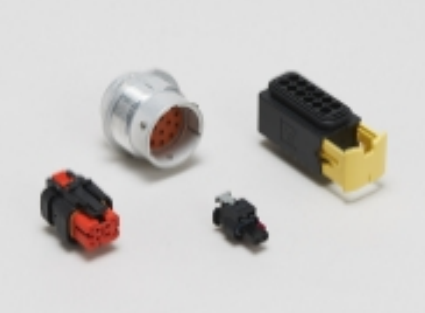


TE Part # 0504-005-3801  
DUST CAP, 38P, REC, BLK, DRC20


### Also in the Series | DEUTSCH DRC



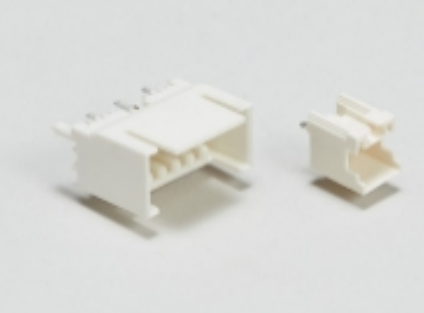
Automotive Headers(44)



Automotive Housings(117)

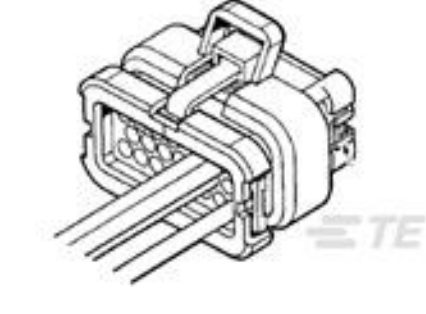


Connector Strain Relief(3)



Wire-to-Board Headers & Receptacles (44)

### Customers Also Bought



TE Part #776273-2  
14POS,AMPSEAL,SOC HSG ASSY,SLD, COD 2



TE Part #DRC22-40PA  
40P RECP ASM



TE Part #1011-231-0305  
BKSHL, 3P, BLK, PLG, ST, NW6/7.5/8.5 /10



TE Part #DRC20-50P01  
HDR, 50P, BLK, ST, AU/NI/CU, 01



## Documents

### Product Drawings

[HDR, 75P, BLK, ST, AU/NI/CU, 12/20 ,0102](#)

English

### CAD Files

[3D PDF](#)

3D

Customer View Model

[ENG\\_CVM\\_CVM\\_DRC20-75P0102\\_99\\_c-drc20-75p0102-99.2d\\_dxf.zip](#)

English

Customer View Model

[ENG\\_CVM\\_CVM\\_DRC20-75P0102\\_99\\_c-drc20-75p0102-99.3d\\_igs.zip](#)

English

Customer View Model

[ENG\\_CVM\\_CVM\\_DRC20-75P0102\\_99\\_c-drc20-75p0102-99.3d\\_stp.zip](#)

English

By downloading the CAD file I accept and agree to the [Terms and Conditions](#) of use.

### Datasheets & Catalog Pages

[TERMINALS AND CONNECTORS](#)

English

### Product Specifications

[Product Specification](#)

English