



DEUTSCH

TE Internal #: DG1236R1437S13025

TE Internal Description: PLUG ASSY

[View on TE.com >](#)



Product Compliance

[For compliance documentation, visit the product page on TE.com>](#)

EU RoHS Directive 2011/65/EU	Not Compliant
EU ELV Directive 2000/53/EC	Compliant
China RoHS 2 Directive MIIT Order No 32, 2016	有害物质含量超出标准 Restricted Substance(s) Above Threshold
EU REACH Regulation (EC) No. 1907/2006	Current ECHA Candidate List: JUNE 2025 (250) Candidate List Declared Against: JUNE 2025 (250) SVHC > Threshold: Decamethylcyclopentasiloxane (D5) (5% in Component Part) Pb (1% in Component Part) Article Safe Usage Statements: Do not eat, drink or smoke when using this product. Wash thoroughly after handling. Recycle if possible and dispose of the article by following all applicable governmental regulations relevant to your geographic location.
Halogen Content	Not Yet Reviewed for halogen content
Solder Process Capability	Not reviewed for solder process capability

Product Compliance Disclaimer

This information is provided based on reasonable inquiry of our suppliers and represents our current actual knowledge based on the information they provided. This information is subject to change. The part numbers that TE has identified as EU RoHS compliant have a maximum concentration of 0.1% by weight in homogenous materials for lead, hexavalent chromium, mercury, PBB, PBDE, DBP, BBP, DEHP, DIBP, and 0.01% for cadmium, or qualify for an exemption to these limits as defined in the Annexes of Directive 2011/65/EU (RoHS2). Finished electrical and electronic equipment products will be CE marked as required by Directive 2011/65/EU. Components may not be CE marked. Additionally, the part numbers that TE has identified as EU ELV compliant have a maximum concentration of 0.1% by weight in homogenous materials for lead, hexavalent chromium, and mercury, and 0.01% for cadmium, or qualify for an exemption to these limits as defined in the Annexes of Directive 2000/53/EC (ELV). Regarding the REACH Regulation, the information TE provides on SVHC in articles for this part number is based on the latest European Chemicals Agency (ECHA) 'Guidance on requirements for substances in articles' posted at this URL: <https://echa.europa.eu/guidance-documents/guidance-on-reach>

Customers Also Bought



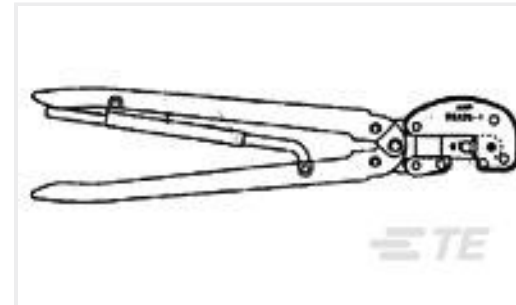
TE Part #ABC06N-12P-4048
IN-LINE PLUG



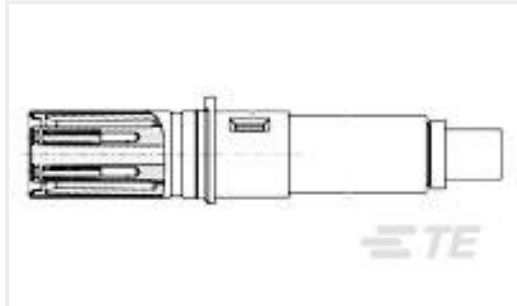
TE Part #D369-P99-NP1
369 9 WAY PLUG, CRIMP, PIN



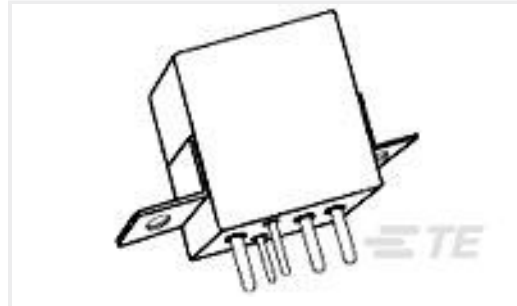
TE Part #CAT-D369-R99
Rectangular Connectors, 9 Way
Receptacle



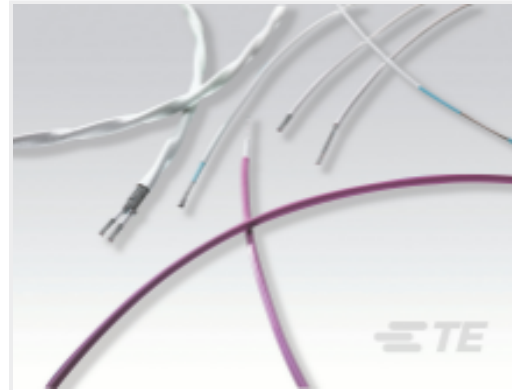
TE Part #576778
HHHT PIDG PEEK STRATO 24-22 ASSY



TE Part #1445693-3
SOCKET CONTACT, QUADRAX, SZ8, RR



TE Part #2-1617748-8
FCA-125-22=M6106/19-022



TE Part #149851-000
55PC2141-20-MST4-9CS2743



TE Part #EM0573-000
55A0821-22-6/9CS3477



TE Part #EM5104-000
55A0811-20-2LL-CS3476

Documents

Datasheets & Catalog Pages

[DEUTSCH DG123 MIL-C-29600 Connectors](#)

English