



Heat Shrink Tubing > Versafit-V4 Heat Shrink Tubing



Primary Product Color: **Black**

Shrink Ratio: **2:1**

Wall Type: **Single Wall**

Recovered Inside Diameter (Max): **.4 mm [.016 in]**

Primary Product Material: **Irradiated Modified Polyolefin**

[All Versafit-V4 Heat Shrink Tubing \(16\)](#)

Features

Electrical Characteristics

Operating Voltage (Max)	.3 kV
-------------------------	-------

Usage Conditions

Shrink Temperature (Min)	70 °C
Tubing Flammability Type	Highly Flame-Retardant
Operating Temperature Range	-30 – 125 °C
Recovery Temperature	90 °C

Dimensions

Recovered Wall Thickness (Tolerance)	.25 mm[.01 in]
Recovered Inside Diameter (Max)	.4 mm[.016 in]
Expanded Inside Diameter (Min)	1.2 mm[.047 in]
Tubing Size Range	.4 – 1.2 mm[.015 – .047 in]

Body Features

Primary Product Color	Black
Shrink Ratio	2:1
Primary Product Material	Irradiated Modified Polyolefin
Flexibility	Very Flexible



Product Type Features

Wall Type	Single Wall
-----------	-------------

Packaging Features

Packaging Method	Package
------------------	---------

Operation/Application

Mechanical Resistance	Strain Relief, Wrinkling
-----------------------	--------------------------

Product Availability

Applicable Region	Global
-------------------	--------

Other

Meets Low Outgassing Requirements	No
Product Source	China
EU RoHS Compliance	Compliant
EU ELV Compliance	Compliant

Product Compliance

[For compliance documentation, visit the product page on TE.com>](#)

EU RoHS Directive 2011/65/EU	Compliant
EU ELV Directive 2000/53/EC	Compliant
China RoHS 2 Directive MIIT Order No 32, 2016	No Restricted Materials Above Threshold
EU REACH Regulation (EC) No. 1907/2006	Current ECHA Candidate List: JUNE 2024 (241) Candidate List Declared Against: JUNE 2024 (241) Does not contain REACH SVHC
Halogen Content	Not Low Halogen - contains Br or Cl > 900 ppm.
Solder Process Capability	Not applicable for solder process capability

Product Compliance Disclaimer

This information is provided based on reasonable inquiry of our suppliers and represents our current actual knowledge based on the information they provided. This information is subject to change. The part numbers that TE has identified as EU RoHS compliant have a maximum concentration of 0.1% by weight in homogenous materials for lead, hexavalent chromium, mercury, PBB, PBDE, DBP, BBP, DEHP, DIBP, and 0.01% for cadmium, or qualify for an exemption to these limits as defined in the Annexes of Directive 2011/65/EU (RoHS2). Finished electrical and electronic equipment products will be CE marked as required by Directive 2011/65/EU. Components may not be CE marked. Additionally, the part numbers that TE has identified as EU ELV compliant have a maximum concentration of 0.1% by weight in homogenous materials for lead, hexavalent chromium, and mercury, and 0.01% for cadmium, or qualify for an exemption to these limits as defined in the Annexes of Directive 2000/53/EC (ELV). Regarding the REACH Regulation, the information TE provides

on SVHC in articles for this part number is based on the latest European Chemicals Agency (ECHA) 'Guidance on requirements for substances in articles' posted at this URL: <https://echa.europa.eu/guidance-documents/guidance-on-reach>

Compatible Parts

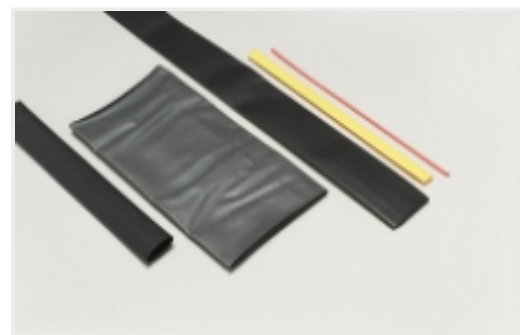


TE Part # EG1114-000
CV1981-ST-230V1600W-EU

Also in the Series | RAYCHEM Versafit V4



Dual Wall Tubing(1)



Heat Shrink Tubing(20)



Single Wall Tubing(19)

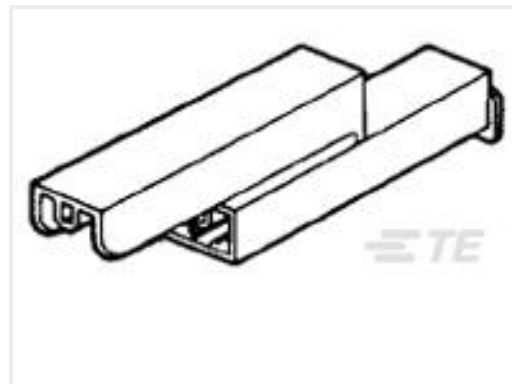
Customers Also Bought



TE Part #CAT-AM7017-H8172
AMP COMMON TERMINATION
HOUSINGS



TE Part #42547-2
RING 26-22 AWG TPBR



TE Part #174712-1
PL 187 (4.8 MM) HOUSING
RECEPTACLE



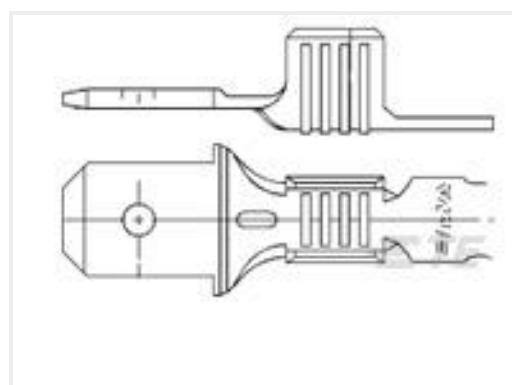
TE Part #175411-1
110 PL REC. 24-20AWG PTBR



TE Part #292156-3
CT RELAY HDR ASSY FREE HANGING



TE Part #60529-2
187 FASTON REC 20-16 AWG TPBR



TE Part #63919-1
187 FASTON TAB 18-14 AWG TPBR



TE Part #1744417-3
3 POS EP 2.5 HSG, GLOW WIRE



TE Part #A85745-000
V4-0.6-0-SP

Documents

Product Drawings

[V4-0.8-0-SP-SM](#)

English

Datasheets & Catalog Pages

[Measuring_Single_Wall_Tubing](#)

English

[Selecting_Correct_Tubing_1216](#)

English

[Very-Thin-Wall, Highly Flame-Retardant, Metric-Sized Heat-Shrinkable Tubing](#)

English

[Versafit v4 Tubing](#)

English

Product Specifications

[Application Specification](#)

English