



Connectors > Rectangular Connectors > Standard Rectangular Connectors



Connector Product Type: **Housing Kit**

Connector & Housing Type: **Plug**

Mating Alignment: **With**

Mating Alignment Type: **Keyed**

Mating Retention: **With**

Features

Dimensions

Row-to-Row Spacing	2.54 mm[.1 in]
--------------------	----------------

Body Features

Connector & Keying Code	AC
Shell Plating Material	Nickel
Strain Relief Type	Cable Clamp

Electrical Characteristics

Operating Voltage	1500 VAC
-------------------	----------

Contact Features

Contact Type	Pin
Wire Contact Termination Area Plating Material	Gold
Contact Mating Area Plating Material	Gold
Contact Retention Within Housing	With
Contact Current Rating (Max)	5 A

Mechanical Attachment

Panel Mount Feature Type	Mounting Ears
Mating Alignment	With
Mating Alignment Type	Keyed
Mating Retention	With



Mating Retention Type	Jackscrew
Connector Mounting Type	Cable Mount (Free-Hanging)

Product Type Features

Connector Shell Size	02
Connector Product Type	Housing Kit
Connector & Housing Type	Plug
Connector System	Wire-to-Wire
Sealable	Yes
Connector & Contact Terminates To	Wire & Cable

Termination Features

Termination Method to Wire & Cable	Crimp
------------------------------------	-------

Configuration Features

Number of Positions	40
Number of Rows	2

Housing Features

	.099 in
--	---------

Usage Conditions

Operating Temperature Range	-65 – 125 °C[-85 – 257 °F]
-----------------------------	----------------------------

Operation/Application

Shielded	Yes
Circuit Application	Power & Signal

Industry Standards

UL Flammability Rating	UL 94V-0
------------------------	----------

Other

EU RoHS Compliance	Compliant
EU ELV Compliance	Compliant

Product Compliance

[For compliance documentation, visit the product page on TE.com>](#)

EU RoHS Directive 2011/65/EU	Compliant
EU ELV Directive 2000/53/EC	Compliant

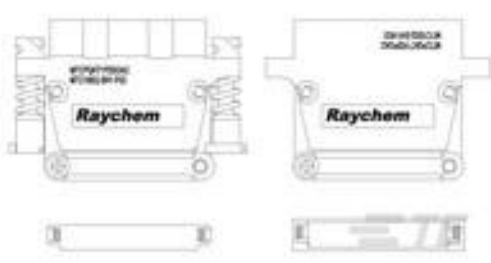


China RoHS 2 Directive MIIT Order No 32, 2016	No Restricted Materials Above Threshold
EU REACH Regulation (EC) No. 1907/2006	Current ECHA Candidate List: JUNE 2024 (241) Candidate List Declared Against: JAN 2024 (240) Does not contain REACH SVHC
Halogen Content	Not Yet Reviewed for halogen content
Solder Process Capability	Not applicable for solder process capability

Product Compliance Disclaimer

This information is provided based on reasonable inquiry of our suppliers and represents our current actual knowledge based on the information they provided. This information is subject to change. The part numbers that TE has identified as EU RoHS compliant have a maximum concentration of 0.1% by weight in homogenous materials for lead, hexavalent chromium, mercury, PBB, PBDE, DBP, BBP, DEHP, DIBP, and 0.01% for cadmium, or qualify for an exemption to these limits as defined in the Annexes of Directive 2011/65/EU (RoHS2). Finished electrical and electronic equipment products will be CE marked as required by Directive 2011/65/EU. Components may not be CE marked. Additionally, the part numbers that TE has identified as EU ELV compliant have a maximum concentration of 0.1% by weight in homogenous materials for lead, hexavalent chromium, and mercury, and 0.01% for cadmium, or qualify for an exemption to these limits as defined in the Annexes of Directive 2000/53/EC (ELV). Regarding the REACH Regulation, the information TE provides on SVHC in articles for this part number is based on the latest European Chemicals Agency (ECHA) 'Guidance on requirements for substances in articles' posted at this URL: <https://echa.europa.eu/guidance-documents/guidance-on-reach>

Compatible Parts



TE Part # F88806-000
[MTCPQKT2R22SGAC](#)

Customers Also Bought

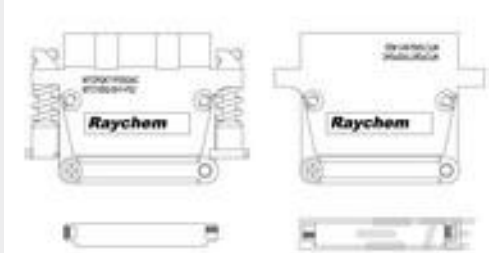


TE Part #073706-000
[55PC0211-22-4CS2970](#)

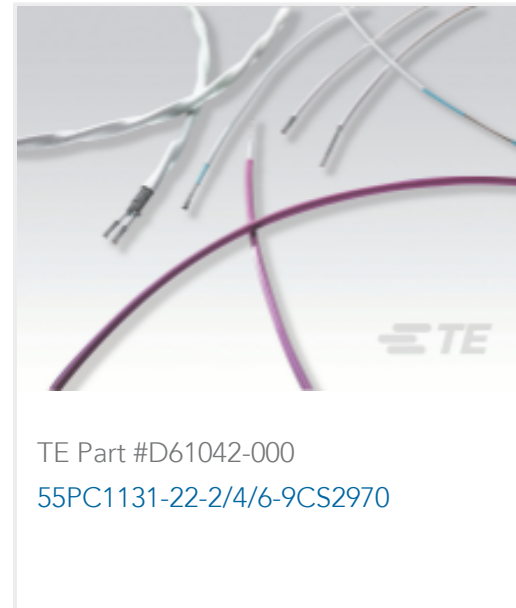
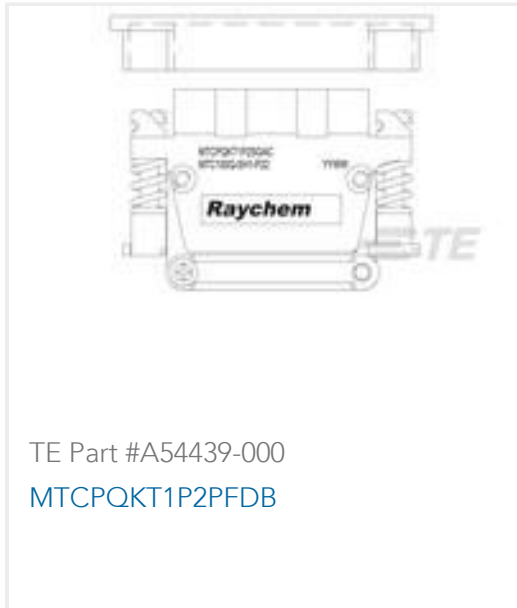
TE Part #A82004-000
[MTCPQKT2P22PGBC](#)



TE Part #216787-000
[SO96-3-55-22-90](#)



TE Part #C48416-000
[MTCPQKT1P2PFBA](#)



Documents

CAD Files

3D PDF

3D

Customer View Model

[ENG_CVM_CVM_D32136-000_K_c-d32136-000-k.2d_dxf.zip](#)

English

Customer View Model

[ENG_CVM_CVM_D32136-000_K_c-d32136-000-k.3d_igs.zip](#)

English

Customer View Model

[ENG_CVM_CVM_D32136-000_K_c-d32136-000-k.3d_stp.zip](#)

English

By downloading the CAD file I accept and agree to the [Terms and Conditions](#) of use.

Product Specifications

[MTC Quick-Disconnect Connectors with Removable Contacts](#)

English