

# RNF-3000-4.5/1.5-6-SP ✓ ACTIVE

RAYCHEM | RAYCHEM RNF-3000

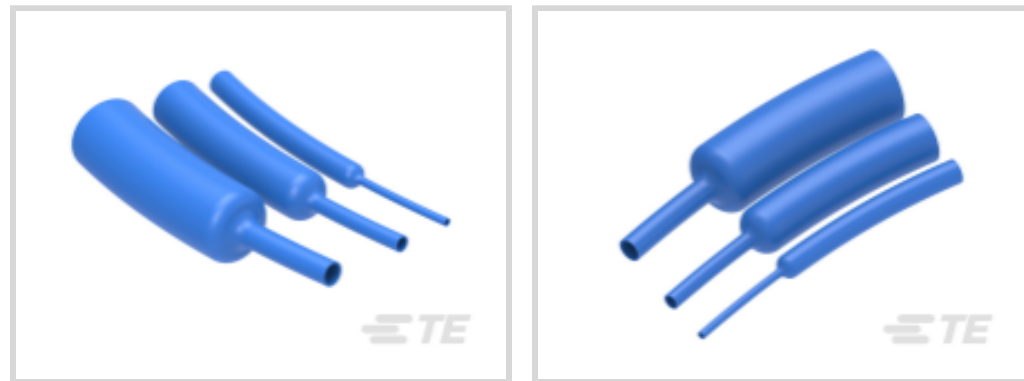
TE Internal #: D275394001

Heat Shrink Tubing, Blue, 3:1, Single Wall Tubing, Shrinks To 1.5 mm [.059 in], Irradiated Modified Polyolefin, RAYCHEM RNF-3000

[View on TE.com >](#)



Heat Shrink Tubing > RNF-3000 Heat Shrink Tubing



Tubing Product Type: **Heat Shrink Tubing**

Primary Product Color: **Blue**

Shrink Ratio: **3:1**

Wall Type: **Single Wall**

Recovered Inside Diameter (Max): **1.5 mm [.059 in]**

[All RNF-3000 Heat Shrink Tubing \(209\)](#)

## Features

### Electrical Characteristics

Operating Voltage (Max)	.6 kV
-------------------------	-------

### Usage Conditions

Shrink Temperature (Min)	80 °C
Tubing Flammability Type	Flame-Retardant
Operating Temperature Range	-55 – 135 °C
Recovery Temperature	120 °C

### Dimensions

Recovered Wall Thickness (Nominal)	.55 mm[.022 in]
Recovered Wall Thickness (Tolerance)	.1 mm[.003 in]
Recovered Inside Diameter (Max)	1.5 mm[.059 in]
Expanded Inside Diameter (Min)	4.5 mm[.177 in]
Tubing Size Range	1.5 – 4.5 mm[.059 – .177 in]

### Body Features

Fluid Type	Lubricating Oil, Hydraulic Fluid, Water, Gasoline
Primary Product Color	Blue
Shrink Ratio	3:1



Primary Product Material	Irradiated Modified Polyolefin
--------------------------	--------------------------------

Flexibility	Flexible
-------------	----------

### Product Type Features

Tubing Product Type	Heat Shrink Tubing
---------------------	--------------------

Wall Type	Single Wall
-----------	-------------

### Packaging Features

Packaging Method	Box
------------------	-----

### Operation/Application

Mechanical Resistance	Mechanical Damage, Fluids, Strain Relief, Abrasion
-----------------------	--

### Product Availability

Applicable Region	Global
-------------------	--------

### Other

Meets Low Outgassing Requirements	No
-----------------------------------	----

Product Source	Czech Republic
----------------	----------------

EU RoHS Compliance	Compliant
--------------------	-----------

EU ELV Compliance	Compliant
-------------------	-----------

### Product Compliance

[For compliance documentation, visit the product page on TE.com>](#)

EU RoHS Directive 2011/65/EU	Compliant
------------------------------	-----------

EU ELV Directive 2000/53/EC	Compliant
-----------------------------	-----------

China RoHS 2 Directive MIIT Order No 32, 2016	No Restricted Materials Above Threshold
---	---

EU REACH Regulation (EC) No. 1907/2006	Current ECHA Candidate List: JUNE 2024 (241) Candidate List Declared Against: JUNE 2024 (241) Does not contain REACH SVHC
--	---

Halogen Content	Not Low Halogen - contains Br or Cl > 900 ppm.
-----------------	--

Solder Process Capability	Not applicable for solder process capability
---------------------------	--

#### Product Compliance Disclaimer

This information is provided based on reasonable inquiry of our suppliers and represents our current actual knowledge based on the information they provided. This information is subject to change. The part numbers that TE has identified as EU RoHS compliant have a maximum concentration of 0.1% by weight in homogenous materials for lead, hexavalent



chromium, mercury, PBB, PBDE, DBP, BBP, DEHP, DIBP, and 0.01% for cadmium, or qualify for an exemption to these limits as defined in the Annexes of Directive 2011/65/EU (RoHS2). Finished electrical and electronic equipment products will be CE marked as required by Directive 2011/65/EU. Components may not be CE marked. Additionally, the part numbers that TE has identified as EU ELV compliant have a maximum concentration of 0.1% by weight in homogenous materials for lead, hexavalent chromium, and mercury, and 0.01% for cadmium, or qualify for an exemption to these limits as defined in the Annexes of Directive 2000/53/EC (ELV). Regarding the REACH Regulation, the information TE provides on SVHC in articles for this part number is based on the latest European Chemicals Agency (ECHA) 'Guidance on requirements for substances in articles' posted at this URL: <https://echa.europa.eu/guidance-documents/guidance-on-reach>

## Compatible Parts



TE Part # EG1114-000  
CV1981-ST-230V1600W-EU

## Also in the Series | RAYCHEM RNF-3000



Heat Shrink Tubing(209)



Orange Heat Shrink Tubing(11)



Single Wall Tubing(209)

## Customers Also Bought



TE Part #1-1670921-1  
5POS, MCON 1.2 LL REC SEALED



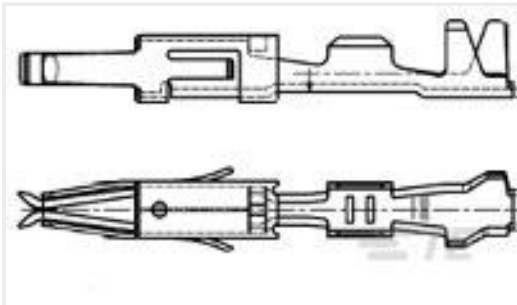
TE Part #2138529-1  
STRAIN RELIEF,8 POSITION AMPSEAL



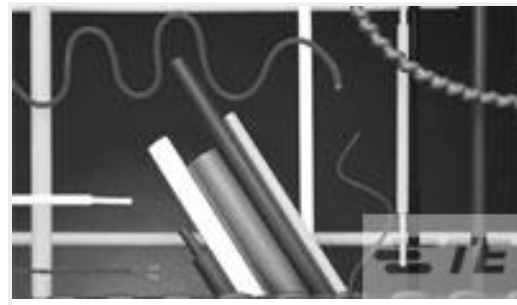
TE Part #284425-1  
3 POS CONNECTOR FOR INJECTION



TE Part #0460-208-12141  
PIN, SOLID, SIZE 12, EXTENDED PCB, NI



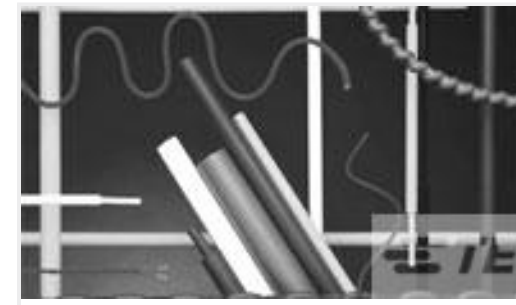
TE Part #962875-5  
MT2 REC 1.6 Contact SWS Au



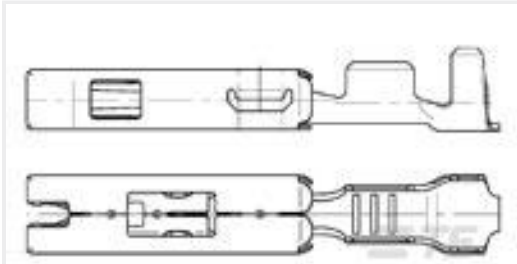
TE Part #5068054008  
CGPT-3.2/1.6-2-SP



TE Part #CAT-T4827-CH8172  
Timer Connector Housing



TE Part #8709614001  
GPO-135-2.4/1.2-0-SP



TE Part #929027-1  
1.5MM SFC

## Documents

### Product Drawings

[RNF-3000-4.5/1.5-6-SP](#)

English

### Datasheets & Catalog Pages

[RNF-300 Tubing](#)

English

### Product Specifications

[Application Specification](#)

English