



RAYCHEM | RAYCHEM TXR

TE Internal #: CZ6614-000

Ruggedized, Backshell, .2 – 12.7 mm [.01 – .5 in] Cable Entry, Aluminum, Straight, 21 / G Shell Size, RAYCHEM TXR

[View on TE.com >](#)

Connectors > Connector Accessories > Connector Backshells



Connector Backshell Product Style: **Ruggedized**

Connector Backshell Product Type: **Backshell**

Cable Entry Diameter: **.2 – 12.7 mm [.01 – .5 in]**

Primary Product Material: **Aluminum**

Body Orientation: **Straight**

Features

Industry Standards

Connector Detail Specification Number	D38999/24, D38999/20, D38999/47, D38999/46, D38999/40, D38999/26, D38999/42
---------------------------------------	---

Usage Conditions

Salt Spray Resistance	500 Hr
Operating Temperature Range	-65 – 175 °C[-85 – 347 °F]

Body Features

Primary Product Color	Black
Primary Product Material	Aluminum
Primary Product Plating Material	Zinc Nickel (ASTM B841)

Dimensions

Product Length	26.5 mm[1.04 in]
Compatible Cable Diameter Range	6.4 – 10.2 mm[.25 – .4 in]
Cable Entry Diameter	.2 – 12.7 mm[.01 – .5 in]

Product Type Features

Termination Device Included	TR08AI
Connector Backshell Product Style	Ruggedized
Connector Backshell Product Type	Backshell
Termination Device Type	Tinel-Lock Adapter, Tinel-Lock Ring, Side-



Entry Tinel-Lock Ring

Housing Features

Body Orientation	Straight
Compatible With Connector Shape	Circular

Operation/Application

Compatible With Connector Shell Size	G, 21
--------------------------------------	-------

Other

Connector Interface Specification	MIL-DTL-38999 Series IV/Class F,W, MIL-DTL-38999 Series IV/Class C,W, MIL-DTL-38999 Series IV/Class C,F,W, MIL-DTL-38999 Series III/Class C,F,K,W
TE Connector Interface Code	40
EU RoHS Compliance	Compliant with Exemptions
EU ELV Compliance	Not Compliant

Product Compliance

For compliance documentation, visit the product page on [TE.com](#)>

EU RoHS Directive 2011/65/EU	Compliant with Exemptions
EU ELV Directive 2000/53/EC	Not Compliant
China RoHS 2 Directive MIIT Order No 32, 2016	Restricted Materials Above Threshold
EU REACH Regulation (EC) No. 1907/2006	Current ECHA Candidate List: JUNE 2024 (241) Candidate List Declared Against: JUL 2021 (219) SVHC > Threshold: Pb (.3% in Machined aluminum body) Article Safe Usage Statements: Do not eat, drink or smoke when using this product. Wash thoroughly after handling. Recycle if possible and dispose of the article by following all applicable governmental regulations relevant to your geographic location.
Halogen Content	Low Halogen - Br, Cl, F, I < 900 ppm per homogenous material. Also BFR/CFR/PVC Free
Solder Process Capability	Not applicable for solder process capability

Product Compliance Disclaimer

This information is provided based on reasonable inquiry of our suppliers and represents our current actual knowledge based on the information they provided. This information is subject to change. The part numbers that TE has identified as EU RoHS compliant have a maximum concentration of 0.1% by weight in homogenous materials for lead, hexavalent chromium, mercury, PBB, PBDE, DBP, BBP, DEHP, DIBP, and 0.01% for cadmium, or qualify for an exemption to these limits as defined in the Annexes of Directive 2011/65/EU (RoHS2). Finished electrical and electronic equipment products will be CE marked as required by Directive 2011/65/EU. Components may not be CE marked. Additionally, the part numbers that TE has identified as EU ELV compliant have a maximum concentration of 0.1% by weight in homogenous

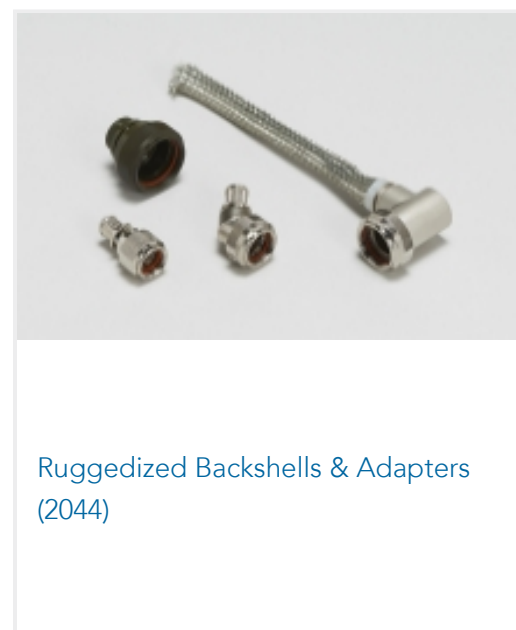
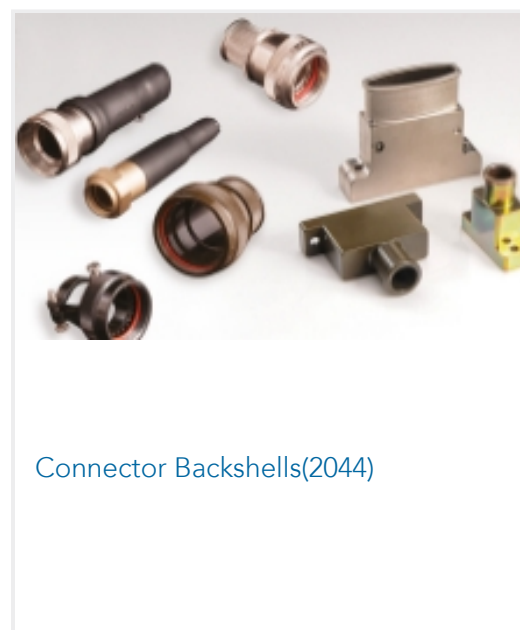
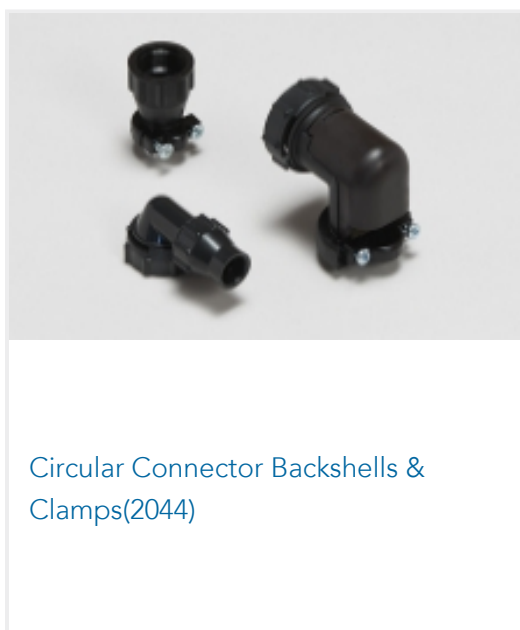


materials for lead, hexavalent chromium, and mercury, and 0.01% for cadmium, or qualify for an exemption to these limits as defined in the Annexes of Directive 2000/53/EC (ELV). Regarding the REACH Regulation, the information TE provides on SVHC in articles for this part number is based on the latest European Chemicals Agency (ECHA) 'Guidance on requirements for substances in articles' posted at this URL: <https://echa.europa.eu/guidance-documents/guidance-on-reach>

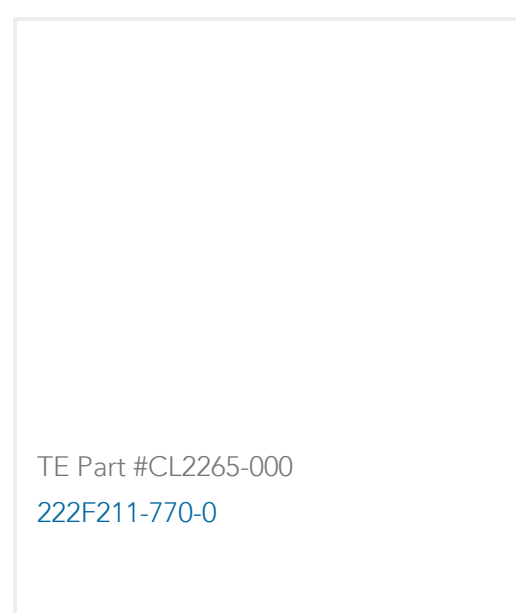
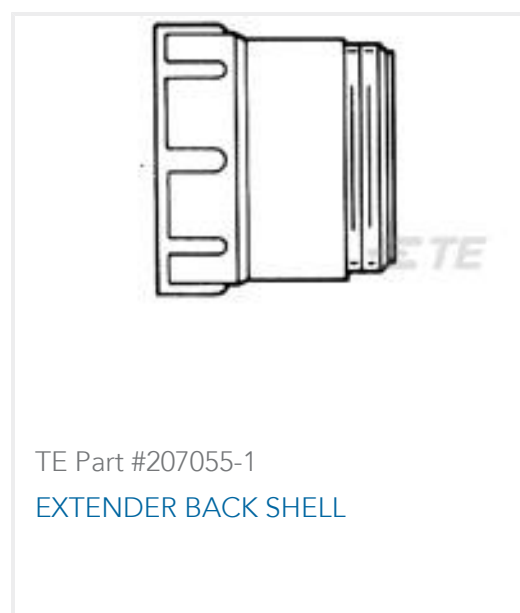
Compatible Parts



Also in the Series | RAYCHEM TXR



Customers Also Bought





Documents

CAD Files

3D PDF

3D

Customer View Model

[ENG_CVM_CVM_CZ6614-000_6.2d_dxf.zip](#)

English

Customer View Model

[ENG_CVM_CVM_CZ6614-000_6.3d_igs.zip](#)

English

Customer View Model

[ENG_CVM_CVM_CZ6614-000_6.3d_stp.zip](#)

English

By downloading the CAD file I accept and agree to the [Terms and Conditions](#) of use.

Datasheets & Catalog Pages

5-1654025-5_sec6_Adapters

English

Product Specifications

General Information Package for Tinel-Lock Adapters

English

[Braid termination using a Tinel Lock Ring installed using a resistance heater.](#)

French

[Braid termination using a Tinel Lock Ring installed using a resistance heater.](#)

English

[PERFORMANCE SPECIFICATION Tinel-Lock Rings, Heat Recoverable for Braid Termination](#)

English

General Harness Repair Manual

English

[ASSEMBLY GUIDE for Tinel -Lock Rings, Heat Recoverable for Braid Temination](#)

English

Product Specification

English

TXR40AZ00-2008AI

Ruggedized, Backshell, .2 – 12.7 mm [.01 – .5 in] Cable Entry, Aluminum, Straight, 21 /
G Shell Size, RAYCHEM TXR

