



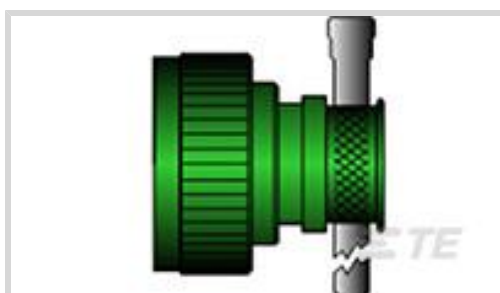
RAYCHEM

TE Internal #: CW2898-000

TE Internal Description: R85049/88-17W02

Mil-Spec: [R85049/88-17W02]

[View on TE.com >](#)



Product Compliance


[For compliance documentation, visit the product page on TE.com>](#)

EU RoHS Directive 2011/65/EU	Not Compliant
EU ELV Directive 2000/53/EC	Compliant
China RoHS 2 Directive MIIT Order No 32, 2016	Restricted Materials Above Threshold
EU REACH Regulation (EC) No. 1907/2006	<p>Current ECHA Candidate List: JUNE 2024 (241)</p> <p>Candidate List Declared Against: JAN 2024 (240)</p> <p>SVHC > Threshold:</p> <p>Pb (.3% in BODY & NUT)</p> <p>Cd (3% in BODY & NUT)</p> <p>Article Safe Usage Statements: Use personal protective equipment as required. Do not eat, drink or smoke when using this product. Wash thoroughly after handling. Recycle if possible and dispose of the article by following all applicable governmental regulations relevant to your geographic location.</p>
Halogen Content	Low Halogen - Br, Cl, F, I < 900 ppm per homogenous material. Also BFR/CFR/PVC Free
Solder Process Capability	Not applicable for solder process capability

Product Compliance Disclaimer

This information is provided based on reasonable inquiry of our suppliers and represents our current actual knowledge based on the information they provided. This information is subject to change. The part numbers that TE has identified as EU RoHS compliant have a maximum concentration of 0.1% by weight in homogenous materials for lead, hexavalent chromium, mercury, PBB, PBDE, DBP, BBP, DEHP, DIBP, and 0.01% for cadmium, or qualify for an exemption to these limits as defined in the Annexes of Directive 2011/65/EU (RoHS2). Finished electrical and electronic equipment products will be CE marked as required by Directive 2011/65/EU. Components may not be CE marked. Additionally, the part numbers that TE has identified as EU ELV compliant have a maximum concentration of 0.1% by weight in homogenous materials for lead, hexavalent chromium, and mercury, and 0.01% for cadmium, or qualify for an exemption to these limits as defined in the Annexes of Directive 2000/53/EC (ELV). Regarding the REACH Regulation, the information TE provides on SVHC in articles for this part number is based on the latest European Chemicals Agency (ECHA) 'Guidance on requirements for substances in articles' posted at this URL: <https://echa.europa.eu/guidance-documents/guidance-on-reach>

Customers Also Bought

TE Part #808381-000
202D132-4/42-0



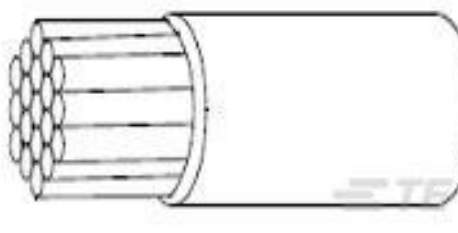
TE Part #352171-1
Z-PACK/B F-HDR. 95P




TE Part #5177985-6
0.8FH,R05H.5,140,08/Sn,TR,SC



TE Part #YDTS26W17-35PNV001
PLUG ASSY



TE Part #216112-002
22759/32-22-9



TE Part #11026588-00
44007RC,THERM,ROHS



TE Part #9-1393222-1
V23061B1005A301=MINISTARKSTROM



TE Part #320571
PIDG R 22-16 COMM 22-18MIL 1/4



TE Part #CW2903-000
R85049/88-21W03

Documents

Product Drawings R85049/88-17W02

English

CAD Files

3D PDF

3D

Customer View Model

[ENG_CVM_CVM_CW2898-000_A1.2d_dxf.zip](#)

English

Customer View Model

[ENG_CVM_CVM_CW2898-000_A1.3d_igs.zip](#)

English

Customer View Model

[ENG_CVM_CVM_CW2898-000_A1.3d_stp.zip](#)

English

By downloading the CAD file I accept and agree to the [Terms and Conditions](#) of use.

Datasheets & Catalog Pages



A85049 - PART MARK

English

AS85049 Adapters and Band Straps

English

Product Specifications

General Harness Repair Manual

English