

M85049/128-7 ✓ ACTIVE

RAYCHEM | RAYCHEM AS85049

TE Internal #: CW2824-000

Screened, Backshell, 303 Stainless Steel, None / Self-Locking Shield

Band Termination, RAYCHEM AS85049

[View on TE.com >](#)



Connectors > Connector Accessories > Connector Backshells



Connector Backshell Product Style: **Screened**

Connector Backshell Product Type: **Backshell**

Primary Product Material: **303 Stainless Steel**

Sealable: **Yes**

Termination Device Type: **None, Self-Locking Shield Band**

## Features

### Product Type Features

Connector Backshell Product Style	Screened
Connector Backshell Product Type	Backshell
Sealable	Yes
Termination Device Type	None, Self-Locking Shield Band

### Body Features

Primary Product Material	303 Stainless Steel
--------------------------	---------------------

### Housing Features

Compatible With Connector Shape	Circular
---------------------------------	----------

### Industry Standards

Connector Detail Specification Number	M85049/128-7
---------------------------------------	--------------

## Product Compliance

[For compliance documentation, visit the product page on TE.com>](#)

EU RoHS Directive 2011/65/EU	Compliant
EU ELV Directive 2000/53/EC	Compliant
China RoHS 2 Directive MIIT Order No 32, 2016	No Restricted Materials Above Threshold
EU REACH Regulation (EC) No. 1907/2006	Current ECHA Candidate List: JUNE 2025 (250) Candidate List Declared Against: JAN 2025 (247)



Does not contain REACH SVHC

Halogen Content

Low Halogen - Br, Cl, F < 900 ppm per homogenous material. Also BFR/CFR/PVC Free

Solder Process Capability

Not applicable for solder process capability

Product Compliance Disclaimer

This information is provided based on reasonable inquiry of our suppliers and represents our current actual knowledge based on the information they provided. This information is subject to change. The part numbers that TE has identified as EU RoHS compliant have a maximum concentration of 0.1% by weight in homogenous materials for lead, hexavalent chromium, mercury, PBB, PBDE, DBP, BBP, DEHP, DIBP, and 0.01% for cadmium, or qualify for an exemption to these limits as defined in the Annexes of Directive 2011/65/EU (RoHS2). Finished electrical and electronic equipment products will be CE marked as required by Directive 2011/65/EU. Components may not be CE marked. Additionally, the part numbers that TE has identified as EU ELV compliant have a maximum concentration of 0.1% by weight in homogenous materials for lead, hexavalent chromium, and mercury, and 0.01% for cadmium, or qualify for an exemption to these limits as defined in the Annexes of Directive 2000/53/EC (ELV). Regarding the REACH Regulation, the information TE provides on SVHC in articles for this part number is based on the latest European Chemicals Agency (ECHA) 'Guidance on requirements for substances in articles' posted at this URL: <https://echa.europa.eu/guidance-documents/guidance-on-reach>

Also in the Series | **RAYCHEM AS85049**



Circular Connector Backshells & Clamps(3)



Connector Backshells(3)



Screened Backshells & Adapters(3)

Customers Also Bought



TE Part #CAT-D369-P33  
Rectangular Connectors: 3-Way Plug



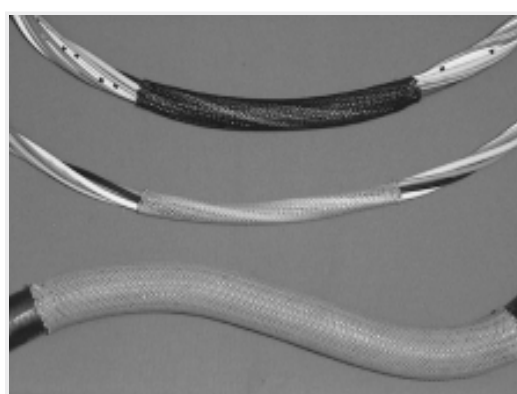
TE Part #CW2823-000  
R85049/128-3



TE Part #D369-R33-NS0  
369 3 WAY REC, NO CONTACTS, SKT



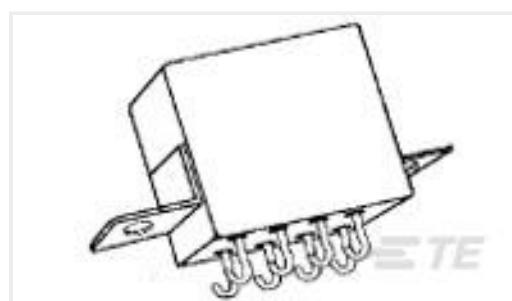
TE Part #D369-P99-NS1  
369 9 WAY PLUG, CRIMP, SKT



TE Part #E865454001  
VERSAFLEX-FR-3/4-09-SP



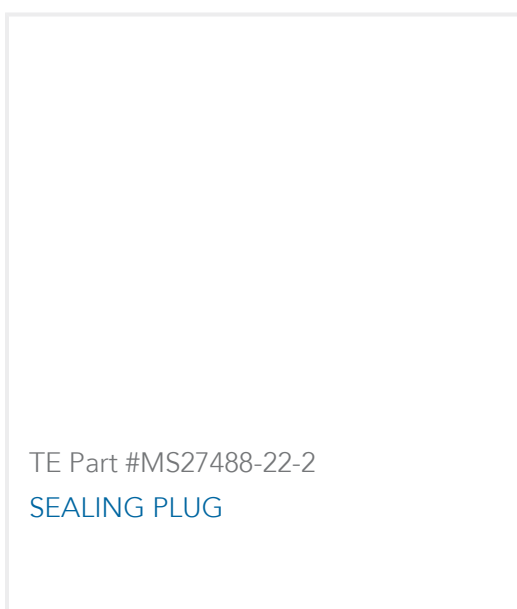
TE Part #1617086-6  
3SBM1071A2 = M39016/31-003M



TE Part #4-1617758-8  
FCB-205-0223M=M83536/2-023M



TE Part #11029320-00  
44036RC,THERM,ROHS



TE Part #MS27488-22-2  
SEALING PLUG

## Documents

### Product Drawings

[R85049/128-7](#)

English

### Datasheets & Catalog Pages

[AS85049 Adapters and Band Straps](#)

English

### Instruction Sheets

[Instruction Sheet \(U.S.\)](#)

English