



Product Compliance

[For compliance documentation, visit the product page on TE.com>](#)

EU RoHS Directive 2011/65/EU	Not Compliant
EU ELV Directive 2000/53/EC	Not Compliant
China RoHS 2 Directive MIIT Order No 32, 2016	Restricted Materials Above Threshold
EU REACH Regulation (EC) No. 1907/2006	<p>Current ECHA Candidate List: JUNE 2024 (241)</p> <p>Candidate List Declared Against: JUL 2021 (219)</p> <p>SVHC > Threshold:</p> <p>Pb (.3% in BODY & NUT)</p> <p>Cd (3% in BODY & NUT)</p> <p>Article Safe Usage Statements: Use personal protective equipment as required. Do not eat, drink or smoke when using this product. Wash thoroughly after handling. Recycle if possible and dispose of the article by following all applicable governmental regulations relevant to your geographic location.</p>
Halogen Content	Low Halogen - Br, Cl, F, I < 900 ppm per homogenous material. Also BFR/CFR/PVC Free
Solder Process Capability	Not applicable for solder process capability

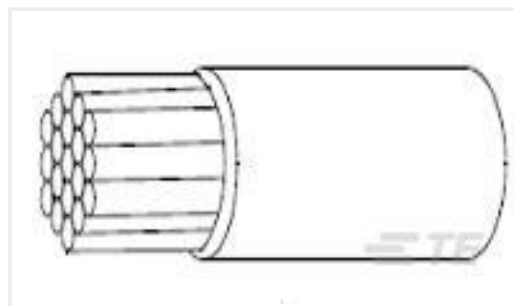
Product Compliance Disclaimer

This information is provided based on reasonable inquiry of our suppliers and represents our current actual knowledge based on the information they provided. This information is subject to change. The part numbers that TE has identified as EU RoHS compliant have a maximum concentration of 0.1% by weight in homogenous materials for lead, hexavalent chromium, mercury, PBB, PBDE, DBP, BBP, DEHP, DIBP, and 0.01% for cadmium, or qualify for an exemption to these limits as defined in the Annexes of Directive 2011/65/EU (RoHS2). Finished electrical and electronic equipment products will be CE marked as required by Directive 2011/65/EU. Components may not be CE marked. Additionally, the part numbers that TE has identified as EU ELV compliant have a maximum concentration of 0.1% by weight in homogenous materials for lead, hexavalent chromium, and mercury, and 0.01% for cadmium, or qualify for an exemption to these limits as defined in the Annexes of Directive 2000/53/EC (ELV). Regarding the REACH Regulation, the information TE provides on SVHC in articles for this part number is based on the latest European Chemicals Agency (ECHA) 'Guidance on requirements for substances in articles' posted at this URL: <https://echa.europa.eu/guidance-documents/guidance-on-reach>

Customers Also Bought



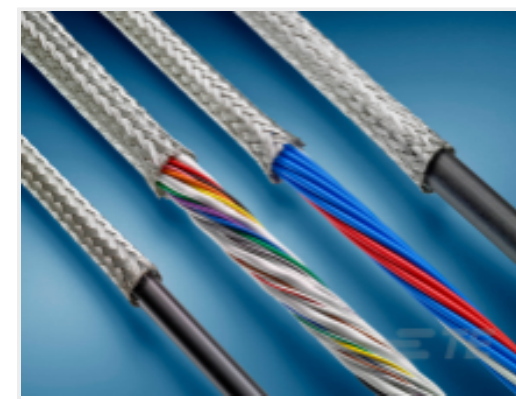
TE Part #2-1623730-4
BCHE 4 W 68R 5%



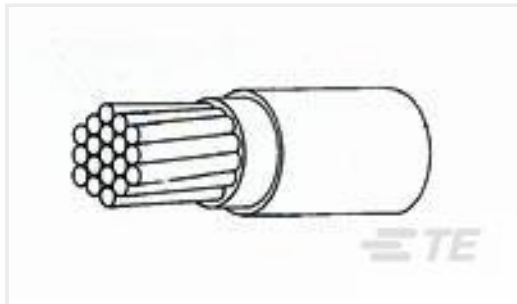
TE Part #216027-008
55A0111-26-9



TE Part #1-338068-8
MICRO-MATCH FTE, 18P



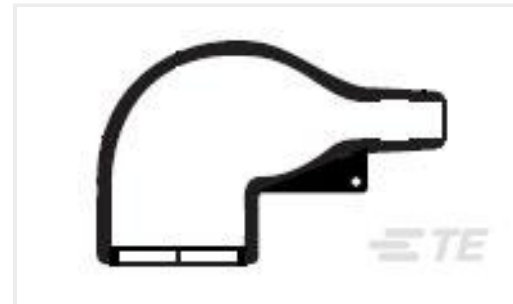
TE Part #CQ50483001
RAY-101-7.5(10)



TE Part #2820403012
44A0111-24-0



TE Part #181271-2
MOD 2 CONTACT REC.



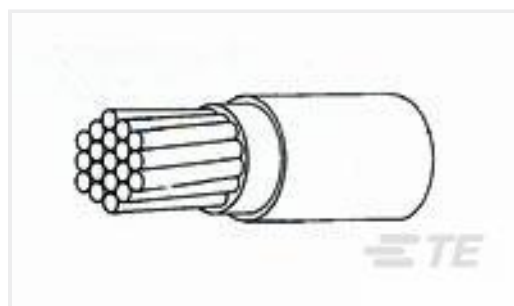
TE Part #903960-000
222K163-25/225-0



TE Part #1-215083-8
MICRO-MATCH MOW.18P



TE Part #2161213004
55A0111-16-2



TE Part #F013703001
44A0111-12-0CK0001

Documents

Product Drawings BNX40AB00-2212AX

English

CAD Files

3D PDF

3D

Customer View Model

[ENG_CVM_CVM_CU4384-000_B.2d_dxf.zip](#)

English

Customer View Model

[ENG_CVM_CVM_CU4384-000_B.3d_igs.zip](#)

English

Customer View Model

[ENG_CVM_CVM_CU4384-000_B.3d_stp.zip](#)

English

By downloading the CAD file I accept and agree to the [Terms and Conditions](#) of use.

Datasheets & Catalog Pages



[5-1654025-5_sec6_Adapters](#)

English

[Product Specifications](#)

[General Information Package for BNDXXA \(Band Strap\) Adapters](#)

English

[General Harness Repair Manual](#)

English

[Product Specification](#)

English