



## Product Compliance

[For compliance documentation, visit the product page on TE.com>](#)

|   |   |
|---|---|
| EU RoHS Directive 2011/65/EU                  | Compliant   |
| EU ELV Directive 2000/53/EC                   | Compliant   |
| China RoHS 2 Directive MIIT Order No 32, 2016 | No Restricted Materials Above Threshold   |
| EU REACH Regulation (EC) No. 1907/2006        | Current ECHA Candidate List: JUNE 2024 (241)<br>Candidate List Declared Against: JUNE 2024 (241)<br>Does not contain REACH SVHC |
| Halogen Content                               | Out of Scope - excluded from Halogen requirements   |
| Solder Process Capability                     | Not applicable for solder process capability  |

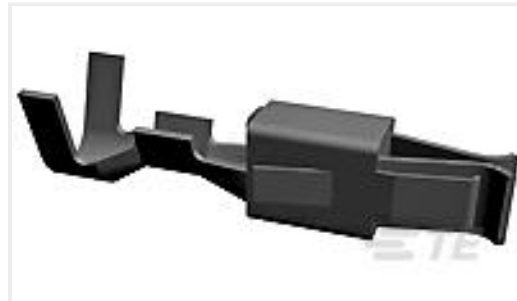
### Product Compliance Disclaimer

This information is provided based on reasonable inquiry of our suppliers and represents our current actual knowledge based on the information they provided. This information is subject to change. The part numbers that TE has identified as EU RoHS compliant have a maximum concentration of 0.1% by weight in homogenous materials for lead, hexavalent chromium, mercury, PBB, PBDE, DBP, BBP, DEHP, DIBP, and 0.01% for cadmium, or qualify for an exemption to these limits as defined in the Annexes of Directive 2011/65/EU (RoHS2). Finished electrical and electronic equipment products will be CE marked as required by Directive 2011/65/EU. Components may not be CE marked. Additionally, the part numbers that TE has identified as EU ELV compliant have a maximum concentration of 0.1% by weight in homogenous materials for lead, hexavalent chromium, and mercury, and 0.01% for cadmium, or qualify for an exemption to these limits as defined in the Annexes of Directive 2000/53/EC (ELV). Regarding the REACH Regulation, the information TE provides on SVHC in articles for this part number is based on the latest European Chemicals Agency (ECHA) 'Guidance on requirements for substances in articles' posted at this URL: <https://echa.europa.eu/guidance-documents/guidance-on-reach>

## Customers Also Bought



TE Part #5677594005  
RNF-3000-12/4-0-SP



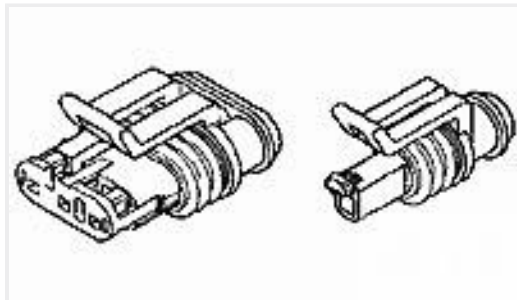
TE Part #927770-1  
JPT REC 2.8 Contact SWS Sn



TE Part #CAT-D485-B128  
Backshells, DEUTSCH DTM



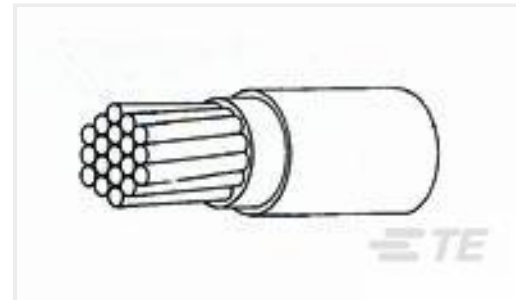
TE Part #T4131012051-000  
M12, REAR MOUNT, FEMALE, A, 5P,  
SOLDER WIRE



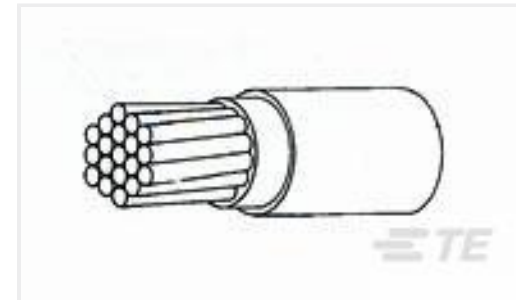
TE Part #282080-1  
AMP SUPERSEAL 1.5 SERIES 2P PL



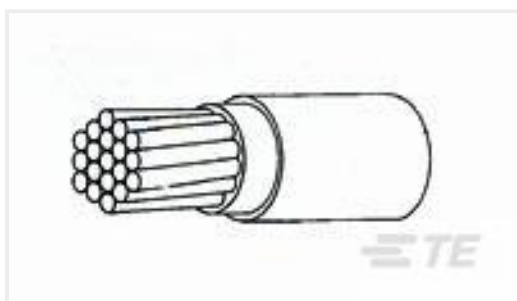
TE Part #DTM12S-BT-BK  
BOOT, 12P, PLG, ST, BLK



TE Part #4755453001  
44A0111-20-2CK0300



TE Part #CD61183001  
44A0111-20-9CK0300



TE Part #CD61153001  
44A0111-20-6CK0300

## Documents

[Product Drawings](#)  
[44A0111-20-5CK0300](#)

English