

# BSTS-04X4FR ✓ ACTIVE

RAYCHEM | RAYCHEM BSTS-FR

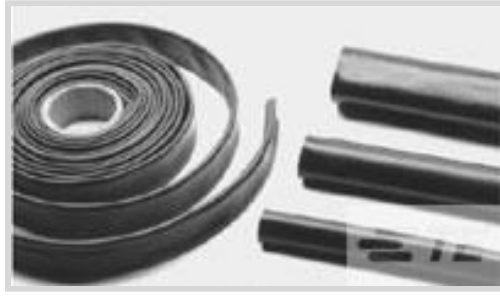
TE Internal #: CB5005-000

Heat Shrink Tubing, Black, 3:1, Single Wall Tubing, Shrinks To 3.81 mm [.15 in], Irradiated Modified Polyolefin, RAYCHEM BSTS-FR

[View on TE.com >](#)



Heat Shrink Tubing > BSTS/BSTS-FR Heat Shrink Tubing



Tubing Product Type: **Heat Shrink Tubing**

Primary Product Color: **Black**

Shrink Ratio: **3:1**

Wall Type: **Single Wall**

Recovered Inside Diameter (Max): **3.81 mm [.15 in]**

[All BSTS/BSTS-FR Heat Shrink Tubing \(80\)](#)

## Features

### Electrical Characteristics

Operating Voltage (Max)	.6 kV
-------------------------	-------

### Usage Conditions

Resistance Properties	Moisture
-----------------------	----------

Shrink Temperature (Min)	90 °C
--------------------------	-------

Tubing Flammability Type	Flame-Retardant
--------------------------	-----------------

Operating Temperature Range	-55 – 110 °C
-----------------------------	--------------

Recovery Temperature	121 °C
----------------------	--------

### Dimensions

	48 in
--	-------

Recovered Wall Thickness (Tolerance)	2.41 mm, 1.78 mm[.07 in][.095 in]
--------------------------------------	-----------------------------------

Recovered Inside Diameter (Max)	3.81 mm[.15 in]
---------------------------------	-----------------

Expanded Inside Diameter (Min)	10.16 mm[.4 in]
--------------------------------	-----------------

Tubing Size Range	3.81 – 10.16 mm[.15 – .4 in]
-------------------	------------------------------

### Body Features

Fluid Type	Water
------------	-------

Primary Product Color	Black
-----------------------	-------

Shrink Ratio	3:1
--------------	-----



Primary Product Material	Irradiated Modified Polyolefin
--------------------------	--------------------------------

Flexibility	Semi-Rigid
-------------	------------

### Product Type Features

Tubing Product Type	Heat Shrink Tubing
---------------------	--------------------

Wall Type	Single Wall
-----------	-------------

### Packaging Features

Packaging Method	Box
------------------	-----

### Operation/Application

Mechanical Resistance	Mechanical Damage, Fluids, Strain Relief, Abrasion
-----------------------	--

### Product Availability

Applicable Region	Global
-------------------	--------

### Other

Meets Low Outgassing Requirements	No
-----------------------------------	----

Product Source	Czech Republic
----------------	----------------

EU RoHS Compliance	Compliant
--------------------	-----------

EU ELV Compliance	Compliant
-------------------	-----------

## Product Compliance

[For compliance documentation, visit the product page on TE.com>](#)

EU RoHS Directive 2011/65/EU	Compliant
------------------------------	-----------

EU ELV Directive 2000/53/EC	Compliant
-----------------------------	-----------

China RoHS 2 Directive MIIT Order No 32, 2016	No Restricted Materials Above Threshold
---	---

EU REACH Regulation (EC) No. 1907/2006	Current ECHA Candidate List: JUNE 2024 (241) Candidate List Declared Against: JAN 2023 (233) Does not contain REACH SVHC
--	--

Halogen Content	Not Yet Reviewed for halogen content
-----------------	--------------------------------------

Solder Process Capability	Not applicable for solder process capability
---------------------------	--

#### Product Compliance Disclaimer

This information is provided based on reasonable inquiry of our suppliers and represents our current actual knowledge based on the information they provided. This information is subject to change. The part numbers that TE has identified as EU RoHS compliant have a maximum concentration of 0.1% by weight in homogenous materials for lead, hexavalent chromium, mercury, PBB, PBDE, DBP, BBP, DEHP, DIBP, and 0.01% for cadmium, or qualify for an exemption to these limits as defined in the Annexes of Directive 2011/65/EU (RoHS2). Finished electrical and electronic equipment products

will be CE marked as required by Directive 2011/65/EU. Components may not be CE marked. Additionally, the part numbers that TE has identified as EU ELV compliant have a maximum concentration of 0.1% by weight in homogenous materials for lead, hexavalent chromium, and mercury, and 0.01% for cadmium, or qualify for an exemption to these limits as defined in the Annexes of Directive 2000/53/EC (ELV). Regarding the REACH Regulation, the information TE provides on SVHC in articles for this part number is based on the latest European Chemicals Agency (ECHA) 'Guidance on requirements for substances in articles' posted at this URL: <https://echa.europa.eu/guidance-documents/guidance-on-reach>

## Compatible Parts

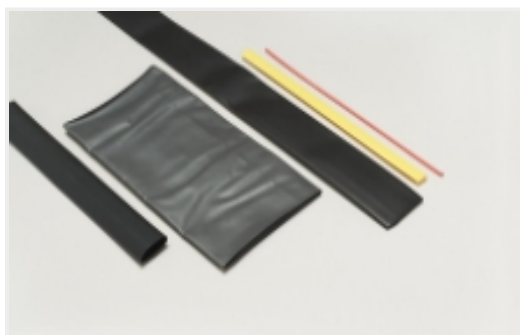


TE Part # 955018-000  
CLTEQ-M105-TUNNEL-OVEN



TE Part # 2326489-1  
MODEL 105 TUNNEL OVEN, 36"  
ENTRY, STAND A

## Also in the Series | RAYCHEM BSTS-FR



Heat Shrink Tubing(35)



Single Wall Tubing(35)

## Customers Also Bought



TE Part #CAT-AM71-CH8172  
AMP SUPERSEAL 1.5MM,  
CONNECTOR HOUSING



TE Part #114017-ZZ  
SEALING PLUG, SIZE 12/16, WHT



TE Part #DT04-2P  
REC, 2P, GRY, N



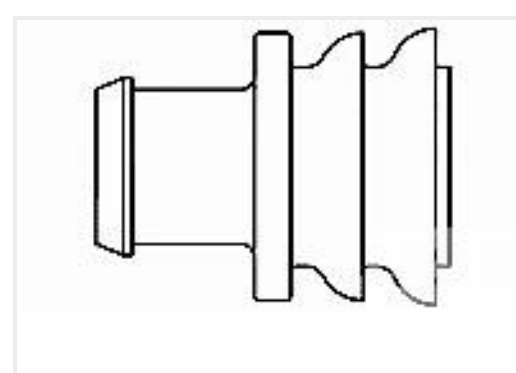
TE Part #DT06-2S  
PLG, 2P, GRY, N



TE Part #CAT-D487-W416  
Wedgelocks: DEUTSCH DT



TE Part #CAT-D48-ST273  
DEUTSCH Solid Contacts



TE Part #281934-2  
SINGLE WIRE SEAL



## Documents

### Product Drawings

[BSTS-04X4FR](#)

English

---

### Datasheets & Catalog Pages

[Measuring\\_Single\\_Wall\\_Tubing](#)

English

[BSTS\\_BSTS-FR Pages from 9-1773447-9](#)

English

[Selecting\\_Correct\\_Tubing\\_1216](#)

English

---

### Product Specifications

[Application Specification](#)

English