



Wire & Cable > Twisted Pair Cable > SPEC 80 Twisted Pair Cable: FlexLine Cable, Tin Coated, 8-20 AWG



Operating Temperature Range: -65 – 150 °C [-85 – 302 °F]

Cable Type: **Spec 80**

Operating Voltage: **600 VAC**

Wire & Cable Insulation Material: **Modified Radiation Cross-linked ETFE Polymer**

Conductor Material: **Tin-Coated Copper**

[All SPEC 80 Twisted Pair Cable: FlexLine Cable, Tin Coated, 8-20 AWG \(22\)](#)

Features

Usage Conditions

Operating Temperature Range	-65 – 150 °C [-85 – 302 °F]
Cable Type	Spec 80

Electrical Characteristics

Operating Voltage	600 VAC
-------------------	---------

Body Features

Wire & Cable Insulation Material	Modified Radiation Cross-linked ETFE Polymer
Conductor Material	Tin-Coated Copper

Dimensions

Wire Size	10 AWG
-----------	--------

Other

EU RoHS Compliance	Compliant
EU ELV Compliance	Compliant

Product Compliance

[For compliance documentation, visit the product page on TE.com>](#)

EU RoHS Directive 2011/65/EU	Compliant
EU ELV Directive 2000/53/EC	Compliant
China RoHS 2 Directive MIIT Order No 32, 2016	No Restricted Materials Above Threshold
EU REACH Regulation (EC) No. 1907/2006	Current ECHA Candidate List: JUNE 2024 (241) Candidate List Declared Against: JAN 2024 (240) Does not contain REACH SVHC
Halogen Content	Out of Scope - excluded from Halogen requirements
Solder Process Capability	Not applicable for solder process capability

Product Compliance Disclaimer

This information is provided based on reasonable inquiry of our suppliers and represents our current actual knowledge based on the information they provided. This information is subject to change. The part numbers that TE has identified as EU RoHS compliant have a maximum concentration of 0.1% by weight in homogenous materials for lead, hexavalent chromium, mercury, PBB, PBDE, DBP, BBP, DEHP, DIBP, and 0.01% for cadmium, or qualify for an exemption to these limits as defined in the Annexes of Directive 2011/65/EU (RoHS2). Finished electrical and electronic equipment products will be CE marked as required by Directive 2011/65/EU. Components may not be CE marked. Additionally, the part numbers that TE has identified as EU ELV compliant have a maximum concentration of 0.1% by weight in homogenous materials for lead, hexavalent chromium, and mercury, and 0.01% for cadmium, or qualify for an exemption to these limits as defined in the Annexes of Directive 2000/53/EC (ELV). Regarding the REACH Regulation, the information TE provides on SVHC in articles for this part number is based on the latest European Chemicals Agency (ECHA) 'Guidance on requirements for substances in articles' posted at this URL: <https://echa.europa.eu/guidance-documents/guidance-on-reach>

Compatible Parts

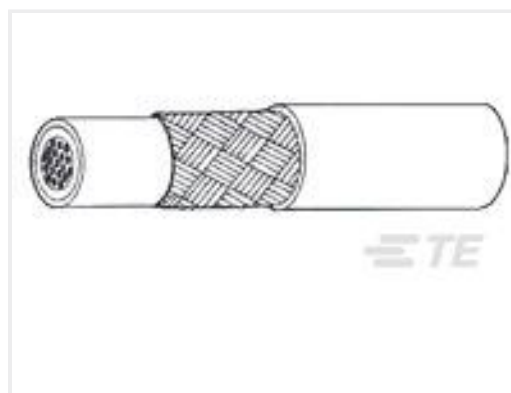


TE Part # 0662-207-0882
CONT SOC ASSY

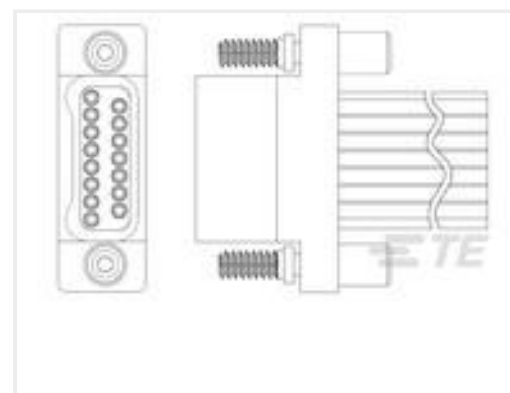
Customers Also Bought



TE Part #C31298-000
55PC0121-22-2/6



TE Part #387811-000
44A1111-20-4-9



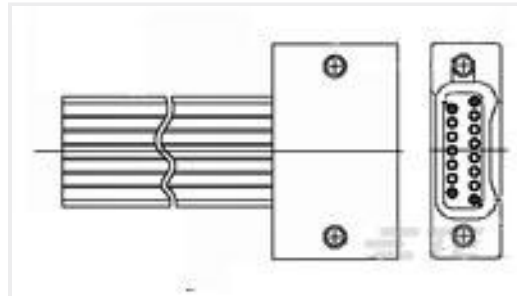
TE Part #8-1589946-7
STM025PCODM018N = W DUALOBE



TE Part #BTH1-15-08-1-ZN
BTH1-15-08-1-ZN



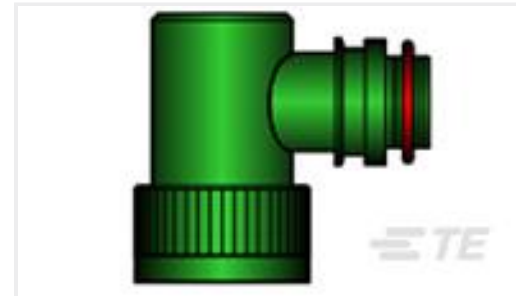
TE Part #70H1-19-16-1-B
70H1-19-16-1-B



TE Part #4-1589777-3
STM065SC2DM024N = WDUALOBE



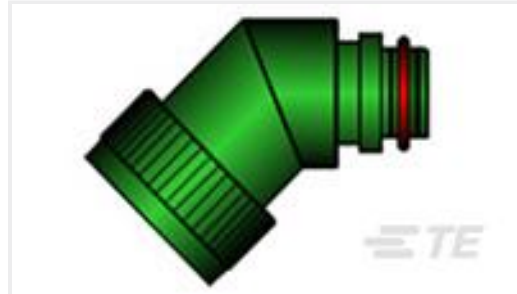
TE Part #228311-000
HEX40-AC-00-21-A9-1-DS



TE Part #CS0143-000
TXR40SJ90-2418BI



TE Part #70A1-20-16-1-B
70A1-20-16-1-B



TE Part #A05444-000
TXR41AB45-2008BI

Documents

Product Drawings

[82A0121-10-0/9](#)

English

Datasheets & Catalog Pages

[1654025_Sec9_SPEC80](#)

English

[Raychem Wire and Cable Quick Reference Guide](#)

English

Product Specifications

[Product Specification](#)

English