



Connectors > Connector Accessories > Connector Backshells



Connector Backshell Product Style: **Unscreened**

Connector Backshell Product Type: **Backshell**

Primary Product Material: **Aluminum Alloy**

Body Orientation: **Swept Right Angle**

Compatible With Connector Shell Size: **15**

Features

Industry Standards

Connector Detail Specification Number	MIL-DTL-38999
---------------------------------------	---------------

Dimensions

Product Length	28.3 mm[1.11 in]
----------------	------------------

Product Type Features

Connector Backshell Product Style	Unscreened
Connector Backshell Product Type	Backshell
Sealable	Yes

Body Features

Primary Product Material	Aluminum Alloy
Primary Product Plating Material	Electroless Nickel

Housing Features

Body Orientation	Swept Right Angle
Compatible With Connector Shape	Circular

Operation/Application

Compatible With Connector Shell Size	15
--------------------------------------	----

Other

Connector Interface Specification	MIL-DTL-38999 Series III & IV
-----------------------------------	-------------------------------



TE Connector Interface Code	40
Entry Size Code	10
EU RoHS Compliance	Compliant with Exemptions

Usage Conditions

Operating Temperature Range	-65 – 200 °C[-85 – 392 °F]
-----------------------------	----------------------------

Product Compliance

[For compliance documentation, visit the product page on TE.com>](#)

EU RoHS Directive 2011/65/EU	Compliant with Exemptions
EU ELV Directive 2000/53/EC	Not Yet Reviewed
China RoHS 2 Directive MIIT Order No 32, 2016	Restricted Materials Above Threshold
EU REACH Regulation (EC) No. 1907/2006	<p>Current ECHA Candidate List: JUNE 2024 (241)</p> <p>Candidate List Declared Against: JAN 2024 (240)</p> <p>SVHC > Threshold:</p> <p>Pb (.3% in BACKSHELL AND NUT)</p> <p>Article Safe Usage Statements: Do not eat, drink or smoke when using this product. Wash thoroughly after handling. Recycle if possible and dispose of the article by following all applicable governmental regulations relevant to your geographic location.</p>
Halogen Content	Low Halogen - Br, Cl, F, I < 900 ppm per homogenous material. Also BFR/CFR/PVC Free
Solder Process Capability	Not applicable for solder process capability

Product Compliance Disclaimer

This information is provided based on reasonable inquiry of our suppliers and represents our current actual knowledge based on the information they provided. This information is subject to change. The part numbers that TE has identified as EU RoHS compliant have a maximum concentration of 0.1% by weight in homogenous materials for lead, hexavalent chromium, mercury, PBB, PBDE, DBP, BBP, DEHP, DIBP, and 0.01% for cadmium, or qualify for an exemption to these limits as defined in the Annexes of Directive 2011/65/EU (RoHS2). Finished electrical and electronic equipment products will be CE marked as required by Directive 2011/65/EU. Components may not be CE marked. Additionally, the part numbers that TE has identified as EU ELV compliant have a maximum concentration of 0.1% by weight in homogenous materials for lead, hexavalent chromium, and mercury, and 0.01% for cadmium, or qualify for an exemption to these limits as defined in the Annexes of Directive 2000/53/EC (ELV). Regarding the REACH Regulation, the information TE provides on SVHC in articles for this part number is based on the latest European Chemicals Agency (ECHA) 'Guidance on requirements for substances in articles' posted at this URL: <https://echa.europa.eu/guidance-documents/guidance-on-reach>

Compatible Parts



TE Part # CW2823-000
R85049/128-3

Also in the Series | Polamco Swept Elbow



Circular Connector Backshells & Clamps(25)



Connector Backshells(25)



Unscreened Backshells & Adapters(25)

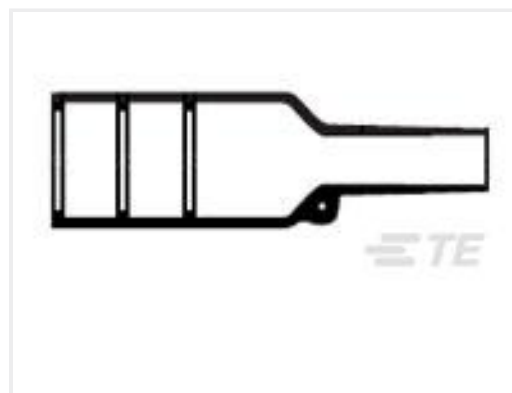
Customers Also Bought



TE Part #843193-000
101A062-3/42-0



TE Part #ADP-SMAF-SMPF-G
SMA Jack to SMP Jack



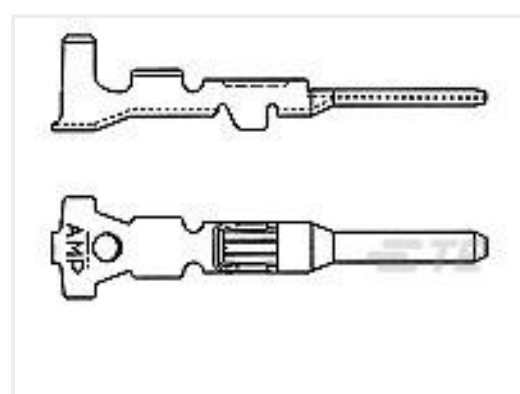
TE Part #879241-000
202K163-25/86-0



TE Part #BTH3-25-20-1-ZN-SB
BTH3-25-20-1-ZN-SB



TE Part #BTH3-15-08-4-J
BTH3-15-08-4-J



TE Part #282465-1
MINI MIC TAB CONTACT >1,5-



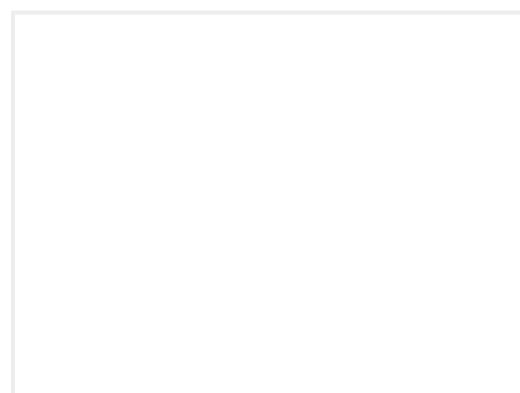
TE Part #1-1618002-8
EV200HAANA=RELAY, SPST-NO WITH



TE Part #6-2176610-1
EP 1W (SS) 330R 5%



TE Part #AAF1148-00
BTH3-17-12-1-C-SE



TE Part #DTS25F09-98PN-958H
RECEPT ASSY.DTS #9. (SV02-001 SOLENOID)



Documents

Product Drawings

[BTH3-15-10-1-C-SE](#)

English

CAD Files

Customer View Model

[ENG_CVM_CVM_AAF1146-00_AB.3d_stp.zip](#)

English

Customer View Model

[ENG_CVM_CVM_AAF1146-00_AB.2d_dxf.zip](#)

English

Customer View Model

[ENG_CVM_CVM_AAF1146-00_AB.3d_igs.zip](#)

English

3D PDF

3D

By downloading the CAD file I accept and agree to the [Terms and Conditions](#) of use.