



Product Compliance

[For compliance documentation, visit the product page on TE.com>](#)

EU RoHS Directive 2011/65/EU	Compliant
EU ELV Directive 2000/53/EC	Compliant
China RoHS 2 Directive MIIT Order No 32, 2016	No Restricted Materials Above Threshold
EU REACH Regulation (EC) No. 1907/2006	Current ECHA Candidate List: JUNE 2024 (241) Candidate List Declared Against: JUNE 2024 (241) Does not contain REACH SVHC
Halogen Content	Not Low Halogen - contains Br or Cl > 900 ppm.
Solder Process Capability	Not applicable for solder process capability

Product Compliance Disclaimer

This information is provided based on reasonable inquiry of our suppliers and represents our current actual knowledge based on the information they provided. This information is subject to change. The part numbers that TE has identified as EU RoHS compliant have a maximum concentration of 0.1% by weight in homogenous materials for lead, hexavalent chromium, mercury, PBB, PBDE, DBP, BBP, DEHP, DIBP, and 0.01% for cadmium, or qualify for an exemption to these limits as defined in the Annexes of Directive 2011/65/EU (RoHS2). Finished electrical and electronic equipment products will be CE marked as required by Directive 2011/65/EU. Components may not be CE marked. Additionally, the part numbers that TE has identified as EU ELV compliant have a maximum concentration of 0.1% by weight in homogenous materials for lead, hexavalent chromium, and mercury, and 0.01% for cadmium, or qualify for an exemption to these limits as defined in the Annexes of Directive 2000/53/EC (ELV). Regarding the REACH Regulation, the information TE provides on SVHC in articles for this part number is based on the latest European Chemicals Agency (ECHA) 'Guidance on requirements for substances in articles' posted at this URL: <https://echa.europa.eu/guidance-documents/guidance-on-reach>

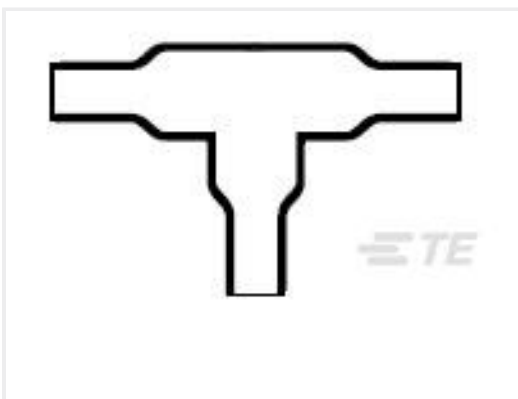
Compatible Parts



Customers Also Bought



TE Part #ZPF0000000000000359
006-0937-16



TE Part #820059-000
301A022-25-0



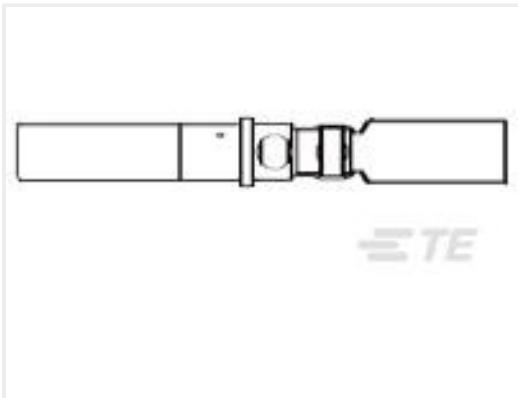
TE Part #ZPF00000000000018705
FDDBA 50-8 E1 PN 090 A838



TE Part #650139-000
D-436-52



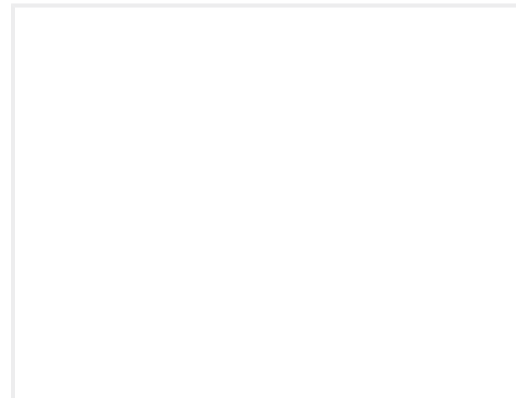
TE Part #2176506-1
CJP 150W 6R8 5% Lead



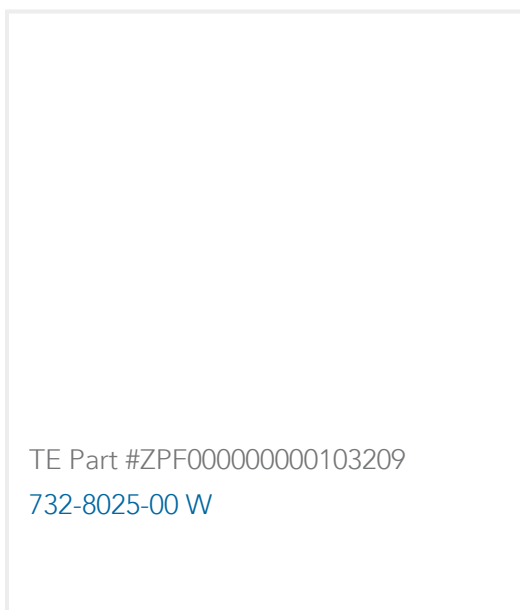
TE Part #601216-000
D-602-1108



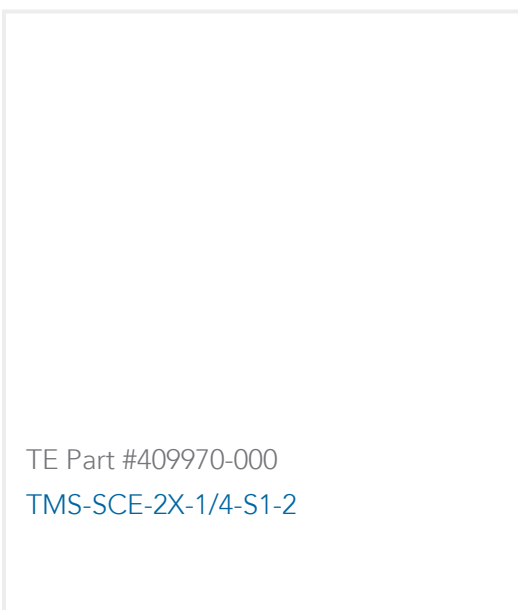
TE Part #814089-000
222A174-3-0



TE Part #D94888-000
TMS-SCE-2X-1/4-S1-4



TE Part #ZPF00000000000103209
732-8025-00 W



TE Part #409970-000
TMS-SCE-2X-1/4-S1-2

Documents

Product Drawings

[TMS-SCE-2X-1/4-S1-9](#)

English

Datasheets & Catalog Pages

[TMS-SCE Heat Shrinkable Sleeves](#)

English

[Cable Identification Product Shelf Life](#)

English

Product Specifications

[Product Specification](#)

English

[IDENTIFICATION PRINTER PRODUCT RIBBON MATRIX](#)

English

Instruction Sheets

[Instruction Sheet \(non U.S.\)](#)

English

