



Wire Protection & Management > Interconnect Devices > SolderSleeve Shield Terminators



Operating Temperature (Max): **200 °C**

Expanded Inside Diameter (Min): **4.32 mm [.17 in]**

Recovered Inside Diameter (Max): **3 mm [.118 in]**

Pre-Installed Lead: **Yes**

Resistance Properties: **Immersion Protection**

## Features

### Product Type Features

Interconnect Device Splice Type	SolderSleeve
---------------------------------	--------------

### Dimensions

Product Length	31 mm[1.221 in]
----------------	-----------------

Expanded Inside Diameter (Min)	4.32 mm[.17 in]
--------------------------------	-----------------

Recovered Inside Diameter (Max)	3 mm[.118 in]
---------------------------------	---------------

### Usage Conditions

Operating Temperature (Max)	200 °C
-----------------------------	--------

Resistance Properties	Immersion Protection
-----------------------	----------------------

Wire Temperature (Max)	200 °C
------------------------	--------

### Configuration Features

Pre-Installed Lead	Yes
--------------------	-----

### Other

EU RoHS Compliance	Compliant with Exemptions
--------------------	---------------------------

EU ELV Compliance	Compliant with Exemptions
-------------------	---------------------------

## Product Compliance

[For compliance documentation, visit the product page on TE.com>](#)

EU RoHS Directive 2011/65/EU	Compliant with Exemptions
------------------------------	---------------------------



EU ELV Directive 2000/53/EC

Compliant with Exemptions

China RoHS 2 Directive MIIT Order No 32, 2016

Restricted Materials Above Threshold

EU REACH Regulation (EC) No. 1907/2006

Current ECHA Candidate List: JUNE 2024 (241)

Candidate List Declared Against: JUNE 2024 (241)

SVHC > Threshold:

Pb (93.5% in Solder)

**Article Safe Usage Statements:**

Do not eat, drink or smoke when using this product. Wash thoroughly after handling. Recycle if possible and dispose of the article by following all applicable governmental regulations relevant to your geographic location.

Halogen Content

Low Bromine/Chlorine - Br and Cl < 900 ppm per homogenous material. Also BFR /CFR/PVC Free

Solder Process Capability

Not applicable for solder process capability

**Product Compliance Disclaimer**

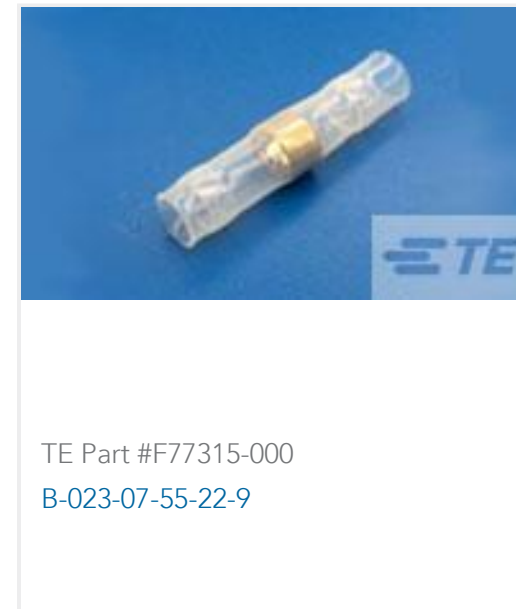
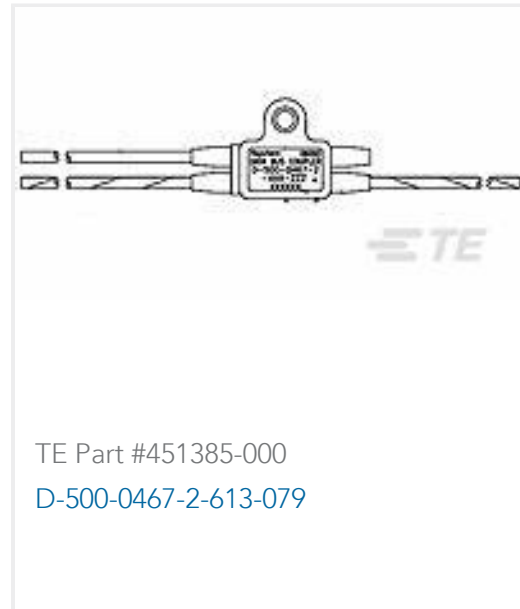
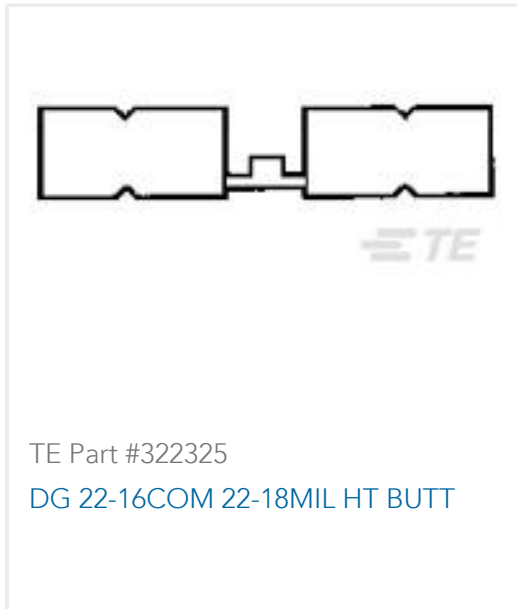
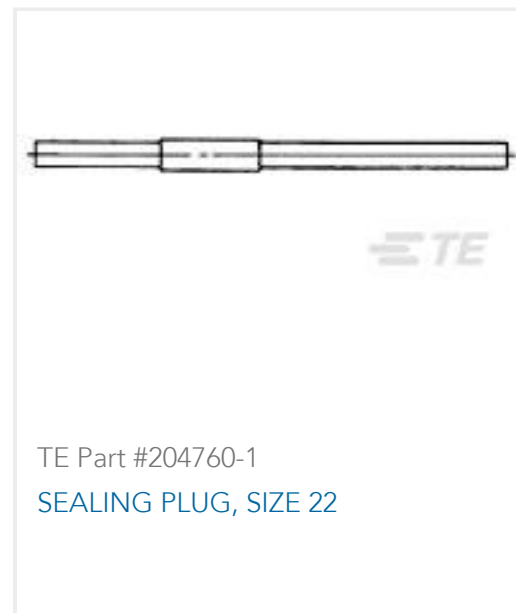
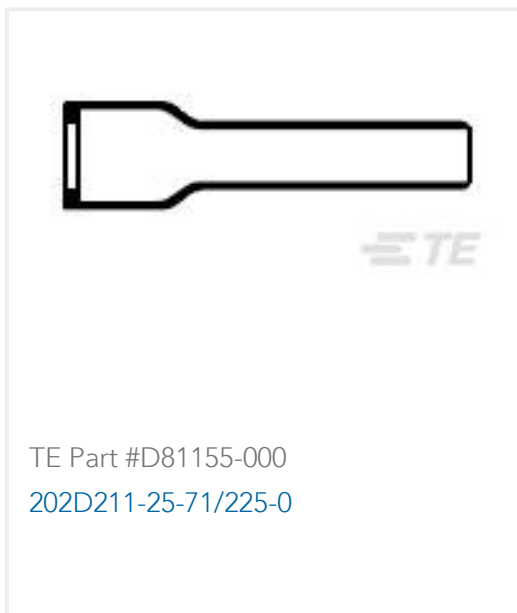
This information is provided based on reasonable inquiry of our suppliers and represents our current actual knowledge based on the information they provided. This information is subject to change. The part numbers that TE has identified as EU RoHS compliant have a maximum concentration of 0.1% by weight in homogenous materials for lead, hexavalent chromium, mercury, PBB, PBDE, DBP, BBP, DEHP, DIBP, and 0.01% for cadmium, or qualify for an exemption to these limits as defined in the Annexes of Directive 2011/65/EU (RoHS2). Finished electrical and electronic equipment products will be CE marked as required by Directive 2011/65/EU. Components may not be CE marked. Additionally, the part numbers that TE has identified as EU ELV compliant have a maximum concentration of 0.1% by weight in homogenous materials for lead, hexavalent chromium, and mercury, and 0.01% for cadmium, or qualify for an exemption to these limits as defined in the Annexes of Directive 2000/53/EC (ELV). Regarding the REACH Regulation, the information TE provides on SVHC in articles for this part number is based on the latest European Chemicals Agency (ECHA) 'Guidance on requirements for substances in articles' posted at this URL: <https://echa.europa.eu/guidance-documents/guidance-on-reach>

## Compatible Parts



TE Part # EG8162-000  
HL1920E-230V-EURO

## Customers Also Bought



## Documents

### Product Drawings

[B-023-00-55-22-9](#)

English

### Product Specifications

[Installation Procedure for B-023-XX](#)

English

### Product Specification

English