



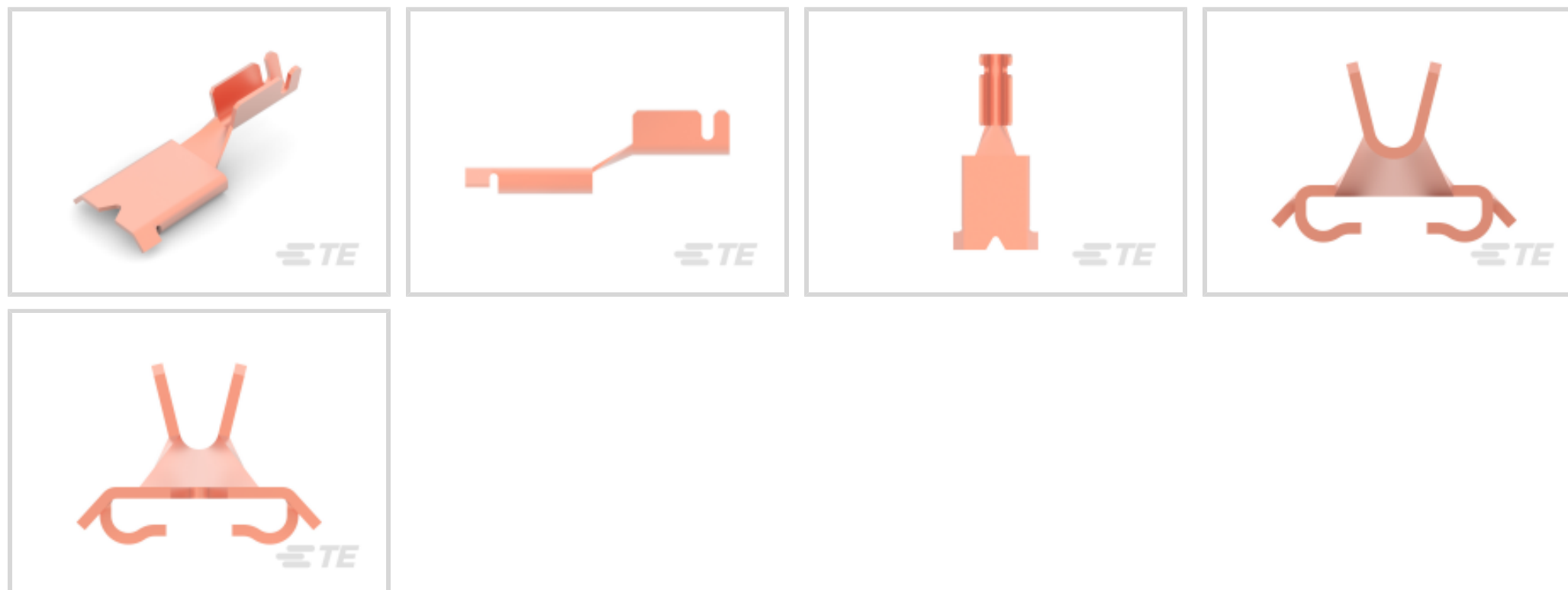
AMPLIVAR

TE Internal #: 969116-2

Quick Disconnect Receptacle, 19 – 16 AWG, .65 – 1.31 mm² Wire, 1200 – 2600 CMA, Stator - Straight Reverse, Copper Tin Alloy, AMPLIVAR

[View on TE.com >](#)

Terminals & Splices > Quick Disconnects



Quick Disconnect Terminal Type: **Receptacle**

Wire Size: **1200 – 2600 CMA**

Terminal Orientation: **Stator - Straight Reverse**

Features

Product Type Features

Compatible With Discrete Wire Type	Magnet Wire
------------------------------------	-------------

Termination Features

Product Terminates To	Wire & Cable
-----------------------	--------------

Mechanical Attachment

Wire Insulation Support	With
-------------------------	------

Other

Line	AMPLIVAR
EU RoHS Compliance	Compliant
EU ELV Compliance	Compliant

Packaging Features

Packaging Quantity	2000
Packaging Method	Reel

Dimensions

Product Length	22.2 mm[.874 in]
Terminal Material Thickness	.45 mm[.018 in]



Wire Size	1200 – 2600 CMA
-----------	-----------------

Contact Features

Quick Disconnect Terminal Type	Receptacle
Terminal Orientation	Stator - Straight Reverse
Contact Base Material	Copper Tin Alloy
Terminal Plating Material	Unplated
Crimp Type	F-Crimp
Barrel Type	Open

Usage Conditions

Insulation Option	Uninsulated
Operating Temperature Range	-65 – 150 °C[-85 – 302 °F]

Product Compliance

[For compliance documentation, visit the product page on TE.com>](#)

EU RoHS Directive 2011/65/EU	Compliant
EU ELV Directive 2000/53/EC	Compliant
China RoHS 2 Directive MIIT Order No 32, 2016	No Restricted Materials Above Threshold
EU REACH Regulation (EC) No. 1907/2006	Current ECHA Candidate List: JUNE 2024 (241) Candidate List Declared Against: JAN 2024 (240) Does not contain REACH SVHC
Halogen Content	Low Halogen - Br, Cl, F, I < 900 ppm per homogenous material. Also BFR/CFR/PVC Free
Solder Process Capability	Not applicable for solder process capability

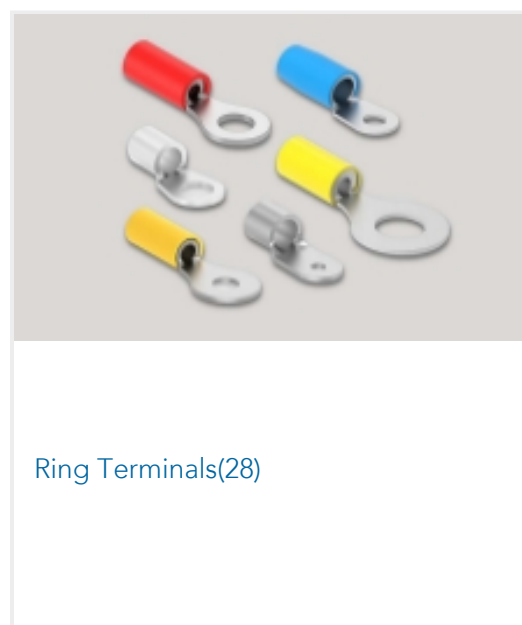
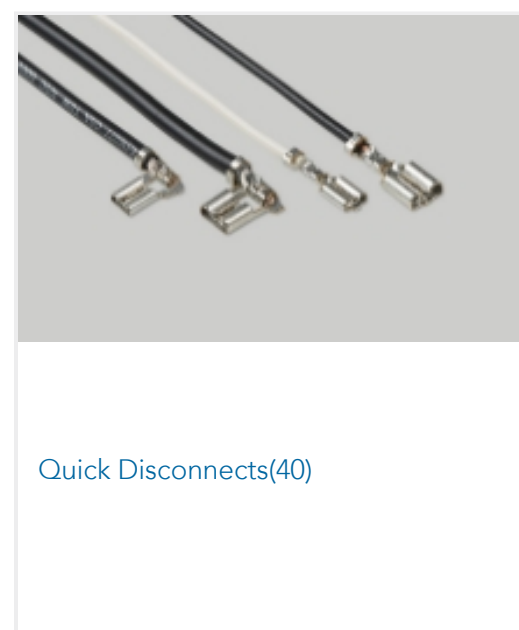
Product Compliance Disclaimer

This information is provided based on reasonable inquiry of our suppliers and represents our current actual knowledge based on the information they provided. This information is subject to change. The part numbers that TE has identified as EU RoHS compliant have a maximum concentration of 0.1% by weight in homogenous materials for lead, hexavalent chromium, mercury, PBB, PBDE, DBP, BBP, DEHP, DIBP, and 0.01% for cadmium, or qualify for an exemption to these limits as defined in the Annexes of Directive 2011/65/EU (RoHS2). Finished electrical and electronic equipment products will be CE marked as required by Directive 2011/65/EU. Components may not be CE marked. Additionally, the part numbers that TE has identified as EU ELV compliant have a maximum concentration of 0.1% by weight in homogenous materials for lead, hexavalent chromium, and mercury, and 0.01% for cadmium, or qualify for an exemption to these limits as defined in the Annexes of Directive 2000/53/EC (ELV). Regarding the REACH Regulation, the information TE provides on SVHC in articles for this part number is based on the latest European Chemicals Agency (ECHA) 'Guidance on requirements for substances in articles' posted at this URL: <https://echa.europa.eu/guidance-documents/guidance-on-reach>

Compatible Parts

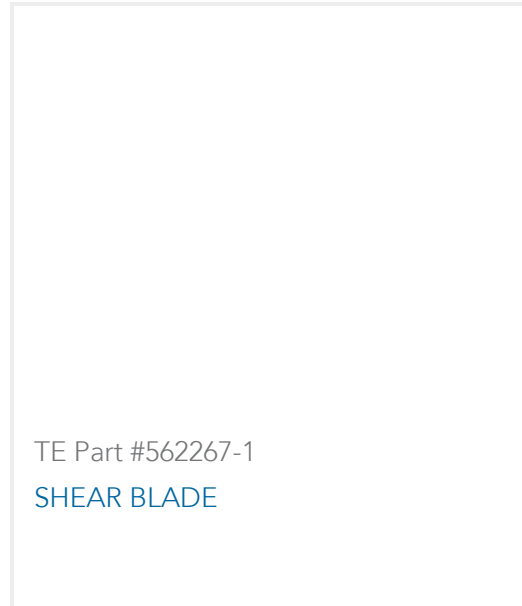


Also in the Series | **AMPLIVAR**





Customers Also Bought



Documents

Product Drawings

[AMPLIVAR SOCKET 6,3 SPECIAL](#)

English

[AMPLIVAR SOCKET 6,3 SPECIAL](#)

English

CAD Files

Customer View Model

[ENG_CVM_CVM_969116-2_A.2d_dxf.zip](#)

English

[3D PDF](#)

3D

Customer View Model

[ENG_CVM_CVM_969116-2_A.3d_igs.zip](#)

English

Customer View Model

[ENG_CVM_CVM_969116-2_A.3d_stp.zip](#)

English

By downloading the CAD file I accept and agree to the [Terms and Conditions](#) of use.

Product Specifications

[Application Specification](#)

English

[AMPLIVAR Stator Receptacles with FASTON Mating End](#)

English