

966140-1 ✓ ACTIVE

AMP | AMP MCP Connector System

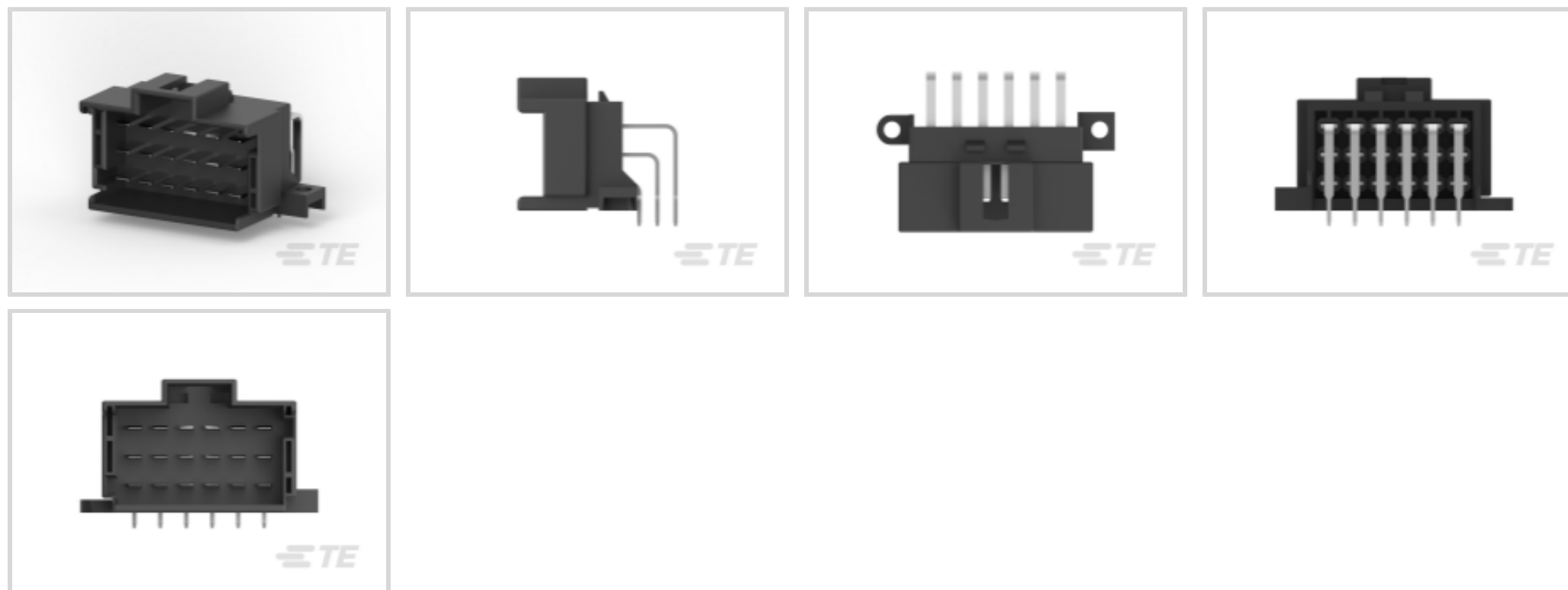
TE Internal #: 966140-1

PCB Mount Header, Horizontal, Wire-to-Board, 18 Position, 3.5 mm
[.138 in] Centerline, Fully Shrouded, Tin, AMP MCP Connector
System

[View on TE.com >](#)



Connectors > PCB Connectors > PCB Headers & Receptacles > AMP MCP Unsealed Headers



PCB Connector Assembly Type: **PCB Mount Header**

PCB Mount Orientation: **Horizontal**

Connector System: **Wire-to-Board**

Number of Positions: **18**

Number of Rows: **3**

[All AMP MCP Unsealed Headers \(17\)](#)

Features

Electrical Characteristics

Operating Voltage	24 VDC
Nominal Voltage Architecture	24 V, 12 V

Dimensions

Connector Width	20.3 mm[.791 in]
Profile Height from PCB	26.2 mm[1.031 in]
Connector Length	46 mm[1.811 in]

Packaging Features

Packaging Quantity	112
Packaging Method	Tray

Usage Conditions

Operating Temperature (Max)	80 °C, 90 °C, 100 °C, 85 °C, 65 °C, 75 °C, 70 °C[212 °F]
-----------------------------	--

Operating Temperature Range	-30 – 100 °C[-22 – 212 °F]
-----------------------------	----------------------------

Body Features

Connector & Keying Code	A
Primary Product Color	Black

Operation/Application

Shielded	No
Circuit Application	Signal

Mechanical Attachment

Panel Mount Feature	With
Mating Retention Type	Locking Interface
Mounting Holes	With
Mating Retention	With
PCB Mount Retention Type	Solder Tail
PCB Mount Retention	Without
PCB Mount Alignment	Without
Connector Mounting Type	Panel Mount
Mating Alignment	With

Contact Features

Contact Size	3mm
Mating Tab Width	2.8 mm[.11 in]
Mating Tab Thickness	.8 mm[.031 in]
Contact Mating Area Plating Material	Tin
Contact Type	Tab

Configuration Features

Number of Signal Positions	18
PCB Mount Orientation	Horizontal
Number of Positions	18
Number of Rows	3

Product Type Features

Mixed & Hybrid Header	No
Connector Shape	Rectangular
PCB Connector Assembly Type	PCB Mount Header



Connector System	Wire-to-Board
Header Type	Fully Shrouded
Sealable	No
Connector & Contact Terminates To	Printed Circuit Board

Termination Features

Termination Method to PCB	Through Hole - Solder
---------------------------	-----------------------

Housing Features

Centerline (Pitch)	3.5 mm [.138 in]
--------------------	------------------

Industry Standards

UL Flammability Rating	UL 94HB
------------------------	---------

Other

EU RoHS Compliance	Compliant
EU ELV Compliance	Compliant

Product Compliance

[For compliance documentation, visit the product page on TE.com>](#)

EU RoHS Directive 2011/65/EU	Compliant
EU ELV Directive 2000/53/EC	Compliant
China RoHS 2 Directive MIIT Order No 32, 2016	No Restricted Materials Above Threshold
EU REACH Regulation (EC) No. 1907/2006	Current ECHA Candidate List: JUNE 2024 (241) Candidate List Declared Against: JUNE 2024 (241) Does not contain REACH SVHC
Halogen Content	BFR/CFR/PVC Free, but Br/Cl >900 ppm in other sources.
Solder Process Capability	Wave solder capable to 260°C

Product Compliance Disclaimer

This information is provided based on reasonable inquiry of our suppliers and represents our current actual knowledge based on the information they provided. This information is subject to change. The part numbers that TE has identified as EU RoHS compliant have a maximum concentration of 0.1% by weight in homogenous materials for lead, hexavalent chromium, mercury, PBB, PBDE, DBP, BBP, DEHP, DIBP, and 0.01% for cadmium, or qualify for an exemption to these limits as defined in the Annexes of Directive 2011/65/EU (RoHS2). Finished electrical and electronic equipment products will be CE marked as required by Directive 2011/65/EU. Components may not be CE marked. Additionally, the part numbers that TE has identified as EU ELV compliant have a maximum concentration of 0.1% by weight in homogenous materials for lead, hexavalent chromium, and mercury, and 0.01% for cadmium, or qualify for an exemption to these limits as defined in the Annexes of Directive 2000/53/EC (ELV). Regarding the REACH Regulation, the information TE provides

on SVHC in articles for this part number is based on the latest European Chemicals Agency (ECHA) 'Guidance on requirements for substances in articles' posted at this URL: <https://echa.europa.eu/guidance-documents/guidance-on-reach>

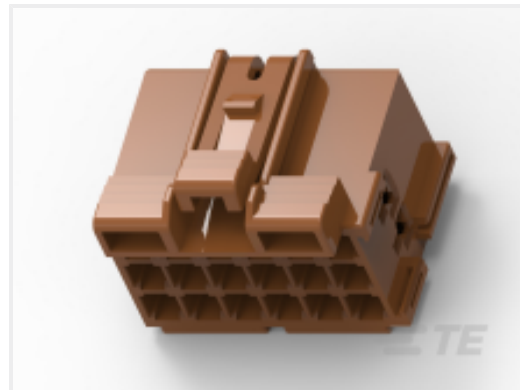
Compatible Parts



TE Part # CAT-T4827-CH8172
Timer Connector Housing



TE Part # 2-967624-6
JUN-POW-TIM GEH 18P



TE Part # 3-967624-6
JUN-POW-TIM GEH 18P

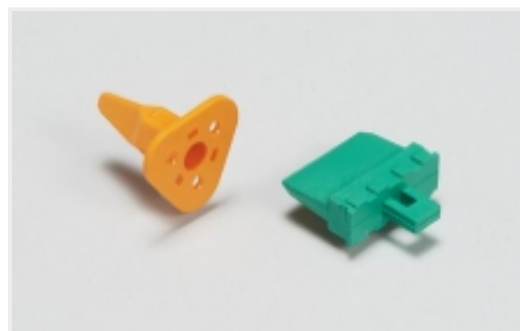


TE Part # CAT-AM705-CH8173
AMP Unsealed Connector Housing

Also in the Series | AMP MCP Connector System



Automotive Connector Caps & Covers (24)



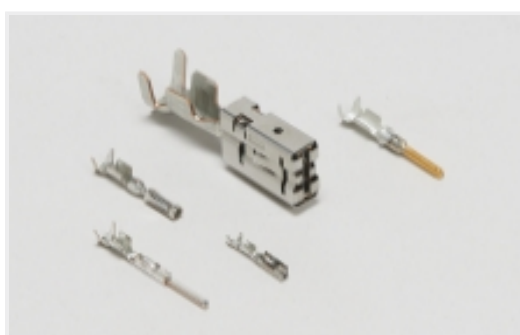
Automotive Connector Locks & Position Assurance(4)



Automotive Headers(31)



Automotive Housings(265)



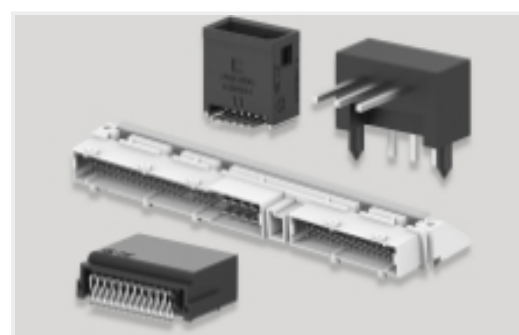
Automotive Terminals(7)



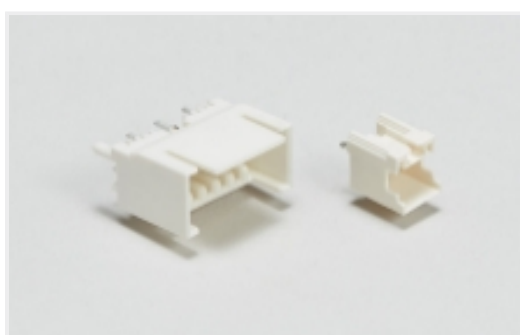
Insertion & Extraction Tools(13)



Other Automotive Connector Accessories(2)



PCB Headers & Receptacles(31)



Wire-to-Board Headers & Receptacles (30)

Customers Also Bought



Documents

Product Drawings

[MESSERLEISTE 18P](#)

English

CAD Files

Customer View Model

[ENG_CVM_CVM_966140-1_F.2d_dxf.zip](#)

English

[3D PDF](#)

3D

Customer View Model

[ENG_CVM_CVM_966140-1_F.3d_igs.zip](#)

English

Customer View Model

[ENG_CVM_CVM_966140-1_F.3d_stp.zip](#)

English

By downloading the CAD file I accept and agree to the [Terms and Conditions](#) of use.

Product Specifications

[Application Specification](#)

English