

44A0111-16-9CK0001

✓ ACTIVE

RAYCHEM

TE Internal #: 9656663001

TE Internal Description: 44A0111-16-9CK0001

[View on TE.com >](#)



## Product Compliance

[For compliance documentation, visit the product page on TE.com>](#)

EU RoHS Directive 2011/65/EU	Compliant
EU ELV Directive 2000/53/EC	Compliant
China RoHS 2 Directive MIIT Order No 32, 2016	No Restricted Materials Above Threshold
EU REACH Regulation (EC) No. 1907/2006	Current ECHA Candidate List: JUNE 2024 (241) Candidate List Declared Against: JUNE 2024 (241) Does not contain REACH SVHC
Halogen Content	Low Bromine/Chlorine - Br and Cl < 900 ppm per homogenous material. Also BFR /CFR/PVC Free
Solder Process Capability	Not applicable for solder process capability

### Product Compliance Disclaimer

This information is provided based on reasonable inquiry of our suppliers and represents our current actual knowledge based on the information they provided. This information is subject to change. The part numbers that TE has identified as EU RoHS compliant have a maximum concentration of 0.1% by weight in homogenous materials for lead, hexavalent chromium, mercury, PBB, PBDE, DBP, BBP, DEHP, DIBP, and 0.01% for cadmium, or qualify for an exemption to these limits as defined in the Annexes of Directive 2011/65/EU (RoHS2). Finished electrical and electronic equipment products will be CE marked as required by Directive 2011/65/EU. Components may not be CE marked. Additionally, the part numbers that TE has identified as EU ELV compliant have a maximum concentration of 0.1% by weight in homogenous materials for lead, hexavalent chromium, and mercury, and 0.01% for cadmium, or qualify for an exemption to these limits as defined in the Annexes of Directive 2000/53/EC (ELV). Regarding the REACH Regulation, the information TE provides on SVHC in articles for this part number is based on the latest European Chemicals Agency (ECHA) 'Guidance on requirements for substances in articles' posted at this URL: <https://echa.europa.eu/guidance-documents/guidance-on-reach>

## Customers Also Bought



TE Part #3830943001  
44A0131-16-0/2/9



TE Part #EH6079-000  
342A034-100/180-0



TE Part #2650503004  
44A0811-8-9



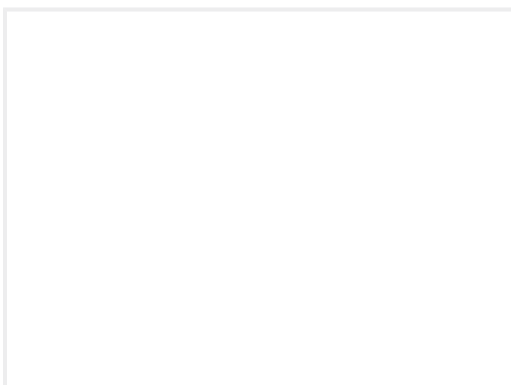
TE Part #282218-006  
81044/12-20-9



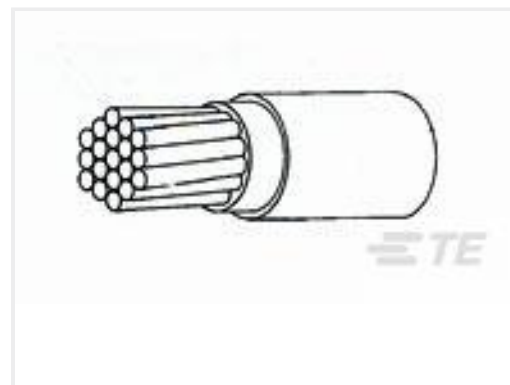
TE Part #0291943001  
FTR16-25-0



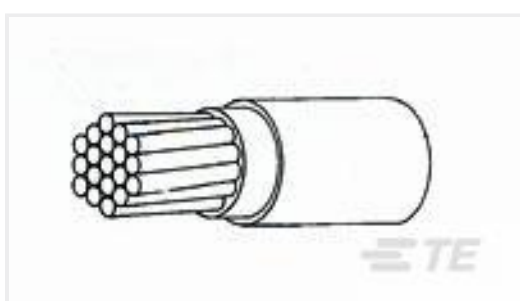
TE Part #3825623001  
44A0131-20-0/2/9



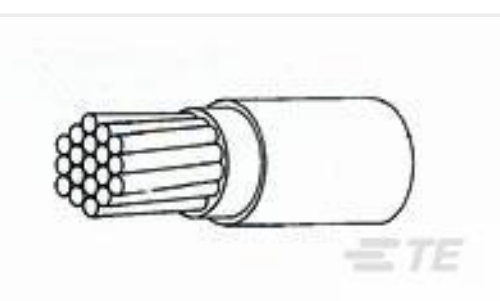
TE Part #CQ90253001  
FDR25S-0-0CK0638



TE Part #CD61183001  
44A0111-20-9CK0300



TE Part #1433003001  
44A0111-20-9CK0001



TE Part #F114063001  
44A0111-12-9CK0001

## Documents

### Datasheets & Catalog Pages

[1654025\\_Sec9\\_SPEC44](#)

English