

964739-1 ✓ ACTIVE

AMP | Timer Connector System, Junior Power Timer

TE Internal #: 964739-1

24 Position Housing, Housing for Male Terminals, Wire-to-Wire, 5 mm [.196 in] Centerline, Black, Wire & Cable, Power, Hybrid

[View on TE.com >](#)



Connectors > Automotive Connectors > Automotive Housings



Number of Positions: 24

Connector & Housing Type: **Housing for Male Terminals**

Mating Tab Width: 2.8 mm [.11 in]

Connector System: **Wire-to-Wire**

Centerline (Pitch): 5 mm [.196 in]

Features

Dimensions

Row-to-Row Spacing	6 mm
Product Width	21.8 mm
Product Length	65.8 mm
Connector Height	38 mm

Packaging Features

Packaging Method	Loose Piece
------------------	-------------

Mechanical Attachment

Strain Relief	Without
Terminal Position Assurance	No
Mating Alignment Type	Keyed
Mating Alignment	With
Connector Mounting Type	Cable Mount (Free-Hanging)

Housing Features

Housing Material	PBT GF
------------------	--------



Centerline (Pitch)	5 mm [.196 in]
--------------------	----------------

Contact Features

Contact Size	2.8mm
Contact Type	Tab
Mating Tab Width	2.8 mm [.11 in]
Contact Current Rating (Max)	30 A

Product Type Features

Mixed & Hybrid Connector	No
Connector Shape	Rectangular
Connector & Housing Type	Housing for Male Terminals
Connector System	Wire-to-Wire
Sealable	No
Primary Locking Feature	On the Terminal
Connector & Contact Terminates To	Wire & Cable

Configuration Features

Blank Cavity Position	0
Number of Positions	24
Number of Rows	2

Electrical Characteristics

Nominal Voltage Architecture	12 V
------------------------------	------

Body Features

Primary Product Color	Black
Connector & Keying Code	A1

Usage Conditions

Operating Temperature (Max)	80 °C [176 °F]
Operating Temperature Range	-40 – 80 °C [-40 – 176 °F]

Operation/Application

Circuit Application	Power
---------------------	-------

Other

EU RoHS Compliance	Compliant
EU ELV Compliance	Compliant

Product Compliance

For compliance documentation, visit the product page on [TE.com](#)>

EU RoHS Directive 2011/65/EU	Compliant
EU ELV Directive 2000/53/EC	Compliant
China RoHS 2 Directive MIIT Order No 32, 2016	No Restricted Materials Above Threshold
EU REACH Regulation (EC) No. 1907/2006	Current ECHA Candidate List: JUNE 2024 (241) Candidate List Declared Against: JUNE 2024 (241) Does not contain REACH SVHC
Halogen Content	Low Halogen - Br, Cl, F, I < 900 ppm per homogenous material. Also BFR/CFR/PVC Free
Solder Process Capability	Not applicable for solder process capability

Product Compliance Disclaimer

This information is provided based on reasonable inquiry of our suppliers and represents our current actual knowledge based on the information they provided. This information is subject to change. The part numbers that TE has identified as EU RoHS compliant have a maximum concentration of 0.1% by weight in homogenous materials for lead, hexavalent chromium, mercury, PBB, PBDE, DBP, BBP, DEHP, DIBP, and 0.01% for cadmium, or qualify for an exemption to these limits as defined in the Annexes of Directive 2011/65/EU (RoHS2). Finished electrical and electronic equipment products will be CE marked as required by Directive 2011/65/EU. Components may not be CE marked. Additionally, the part numbers that TE has identified as EU ELV compliant have a maximum concentration of 0.1% by weight in homogenous materials for lead, hexavalent chromium, and mercury, and 0.01% for cadmium, or qualify for an exemption to these limits as defined in the Annexes of Directive 2000/53/EC (ELV). Regarding the REACH Regulation, the information TE provides on SVHC in articles for this part number is based on the latest European Chemicals Agency (ECHA) 'Guidance on requirements for substances in articles' posted at this URL: <https://echa.europa.eu/guidance-documents/guidance-on-reach>

Compatible Parts



Also in the Series | [Junior Power Timer](#)



Automotive Connector Caps & Covers (11)



Automotive Connector Locks & Position Assurance (15)



Automotive Housings (195)



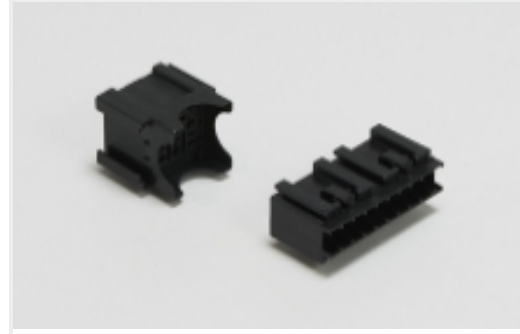
Automotive Terminals (110)



Busbars & Terminals (1)



Insertion & Extraction Tools (18)



Module Components (1)



Other Automotive Connector Accessories (1)

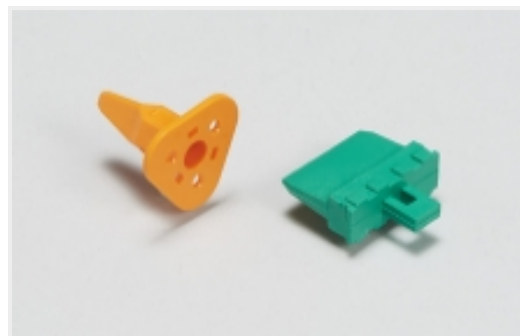


Special Purpose Terminals (2)

Also in the Series | Timer Connector System



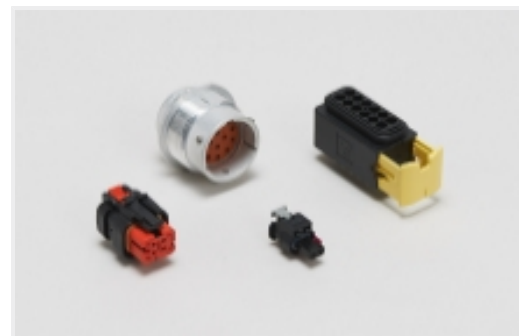
Automotive Connector Caps & Covers (11)



Automotive Connector Locks & Position Assurance (15)



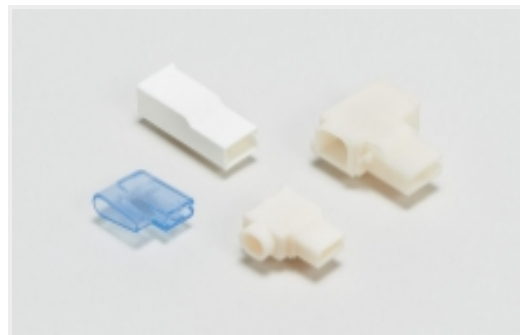
Automotive Headers (19)



Automotive Housings (195)



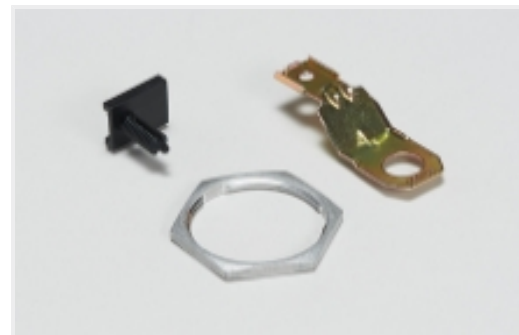
Connector Seals & Cavity Plugs (36)



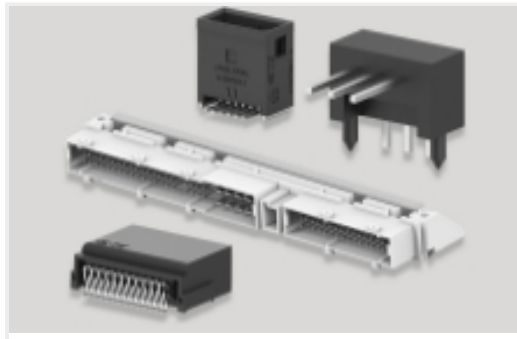
Crimp Terminal Housings (13)



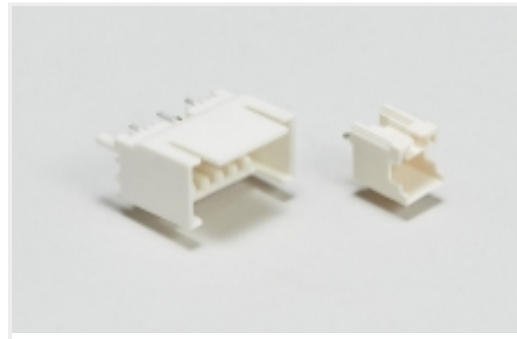
Insertion & Extraction Tools (18)



Other Automotive Connector Accessories (1)



PCB Headers & Receptacles(19)

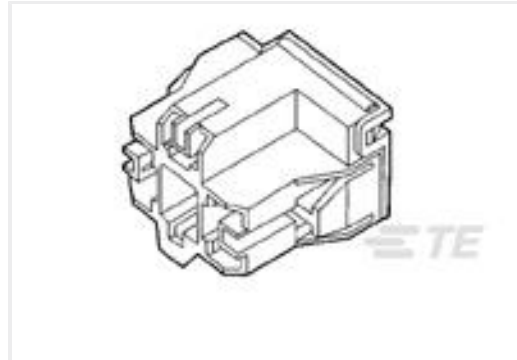


Wire-to-Board Headers & Receptacles (19)

Customers Also Bought



TE Part #964740-1
KONTAKTSICHERUNG24P



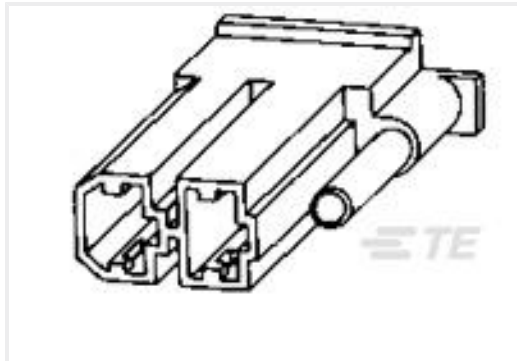
TE Part #172615-2
POSITIVE LOCK 312 HOUSING
RECEPTACLE



TE Part #966500-1
JPT GEH KOMPL 24P



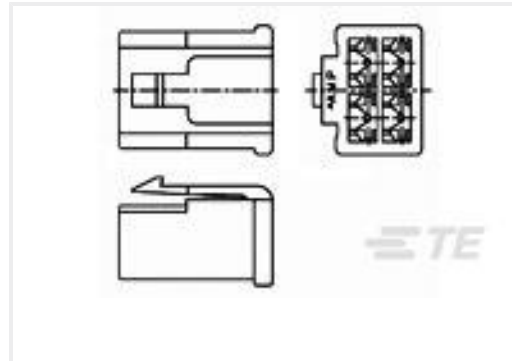
TE Part #CAT-T4827-CH8172
Timer Connector Housing



TE Part #171447-2
FF 375 PLUG HSG 2P NYLON BLACK



TE Part #174200-1
250 FASTON HSG.,REC.,3 POS,
NATRUAL



TE Part #174202-1
250 FASTON HSG.,REC.,4 POS,
NATRUAL



TE Part #174204-1
250 FASTON HSG.,REC.,6 POS,
NATRUAL



TE Part #1544317-2
PC 2V 8MM WP NG1 B

Documents

Product Drawings

[FLA-STE-GEH2,8 24P](#)

English

CAD Files

Customer View Model

[ENG_CVM_964739-1_D.3d_igs.zip](#)

English

Customer View Model



[ENG_CVM_964739-1_D.3d_stp.zip](#)

English

Customer View Model

[ENG_CVM_964739-1_D.2d_dxf.zip](#)

English

3D PDF

English

By downloading the CAD file I accept and agree to the [Terms and Conditions](#) of use.