



Connectors > PCB Connectors > Wire-to-Board Connectors > Wire-to-Board Connector Assemblies & Housings



Connector Product Type: **Housing**

Connector & Housing Type: **Receptacle**

Connector System: **Wire-to-Wire**

Number of Positions: **9**

Centerline (Pitch): **5 mm [.197 in]**

Features

Industry Standards

RAST Version	None
UL Flammability Rating	UL 94V-2
Glow Wire Rating	Glow Wire

Packaging Features

Packaging Method	Box & Carton
Packaging Quantity	1200

Dimensions

Connector Height	.57 mm, 14.4 mm
Connector Length	45 mm[1.771 in]

Mechanical Attachment

Strain Relief	Without
Locking Latch Between Cavity Number	2&3/7&8
Panel Mount Feature	Without
Mating Retention Type	Latch
PCB Mount Retention	Without

Mating Retention	With
Connector Mounting Type	Cable Mount (Free-Hanging)

Housing Features

Housing Material	Nylon
Centerline (Pitch)	5 mm [.197 in]

Configuration Features

Keying & Polarized Rib Location	2b/5a
Number of Positions	9
Number of Rows	1

Product Type Features

Connector Product Type	Housing
Connector & Housing Type	Receptacle
Connector System	Wire-to-Wire
Sealable	No
Connector & Contact Terminates To	Wire & Cable

Body Features

Primary Product Color	Black
-----------------------	-------

Termination Features

Termination Method to Wire & Cable	Crimp
------------------------------------	-------

Operation/Application

Circuit Application	Power & Signal
---------------------	----------------

Other

EU RoHS Compliance	Compliant
EU ELV Compliance	Compliant

Product Compliance

[For compliance documentation, visit the product page on TE.com>](#)

EU RoHS Directive 2011/65/EU	Compliant
EU ELV Directive 2000/53/EC	Compliant
China RoHS 2 Directive MIIT Order No 32, 2016	No Restricted Materials Above Threshold
EU REACH Regulation (EC) No. 1907/2006	Current ECHA Candidate List: JUNE 2024 (241)

Candidate List Declared Against: JUNE 2023 (235)

Does not contain REACH SVHC

Halogen Content

Low Halogen - Br, Cl, F, I < 900 ppm per homogenous material. Also BFR/CFR/PVC Free

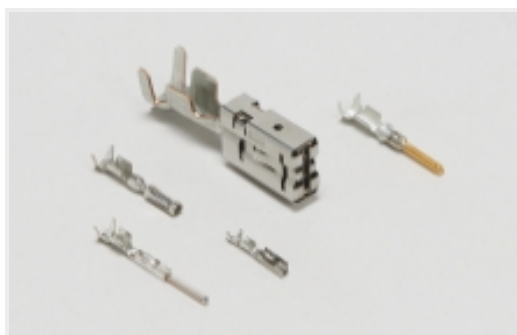
Solder Process Capability

Not applicable for solder process capability

Product Compliance Disclaimer

This information is provided based on reasonable inquiry of our suppliers and represents our current actual knowledge based on the information they provided. This information is subject to change. The part numbers that TE has identified as EU RoHS compliant have a maximum concentration of 0.1% by weight in homogenous materials for lead, hexavalent chromium, mercury, PBB, PBDE, DBP, BBP, DEHP, DIBP, and 0.01% for cadmium, or qualify for an exemption to these limits as defined in the Annexes of Directive 2011/65/EU (RoHS2). Finished electrical and electronic equipment products will be CE marked as required by Directive 2011/65/EU. Components may not be CE marked. Additionally, the part numbers that TE has identified as EU ELV compliant have a maximum concentration of 0.1% by weight in homogenous materials for lead, hexavalent chromium, and mercury, and 0.01% for cadmium, or qualify for an exemption to these limits as defined in the Annexes of Directive 2000/53/EC (ELV). Regarding the REACH Regulation, the information TE provides on SVHC in articles for this part number is based on the latest European Chemicals Agency (ECHA) 'Guidance on requirements for substances in articles' posted at this URL: <https://echa.europa.eu/guidance-documents/guidance-on-reach>

Also in the Series | **RAST 5 IDC Connectors**



Automotive Terminals(8)



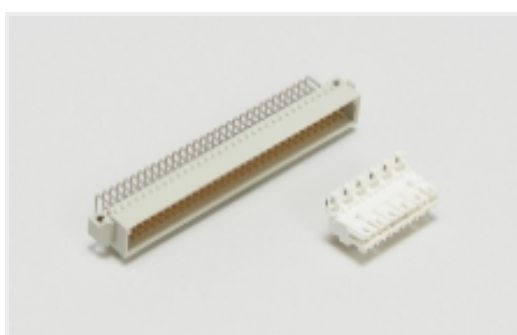
Connector Contacts(12)



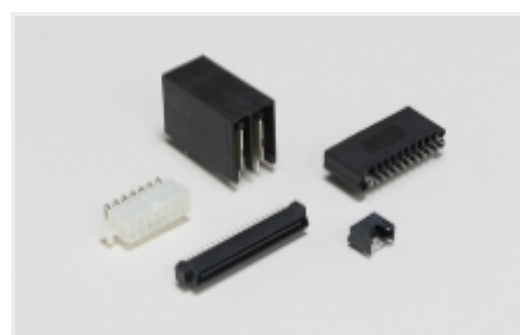
Power Contacts(3)



Rectangular Connector Housings(1)

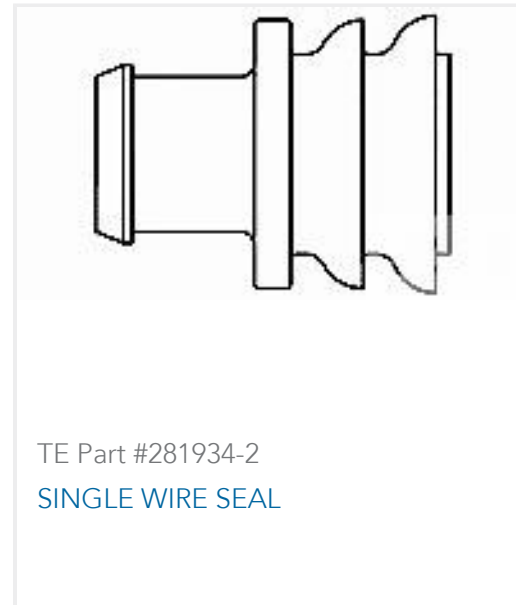
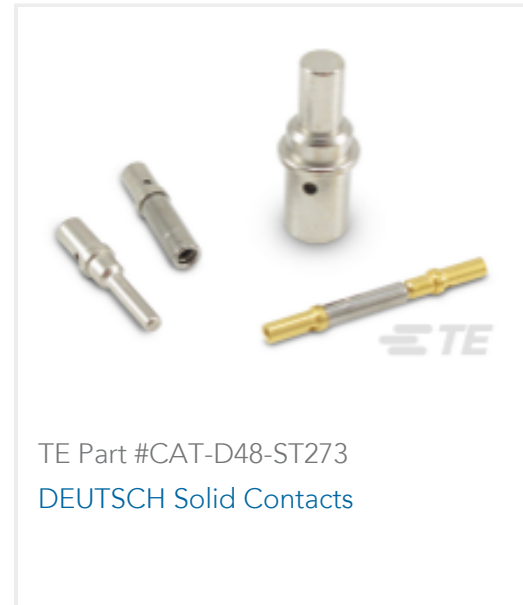


Standard Edge Connectors(31)



Standard Rectangular Connectors(64)

Customers Also Bought



Documents

Product Drawings

STD-TIMER GEH 9P

English

CAD Files

3D PDF

3D

Customer View Model

[ENG_CVM_CVM_964702-2_E_c-964702-2-e.2d_dxf.zip](#)

English

Customer View Model

[ENG_CVM_CVM_964702-2_E_c-964702-2-e.3d_igs.zip](#)

English

Customer View Model

[ENG_CVM_CVM_964702-2_E_c-964702-2-e.3d_stp.zip](#)

English

By downloading the CAD file I accept and agree to the [Terms and Conditions](#) of use.

Datasheets & Catalog Pages

RAST Connector System Catalog

English

Agency Approvals

VDE Certificate

English