



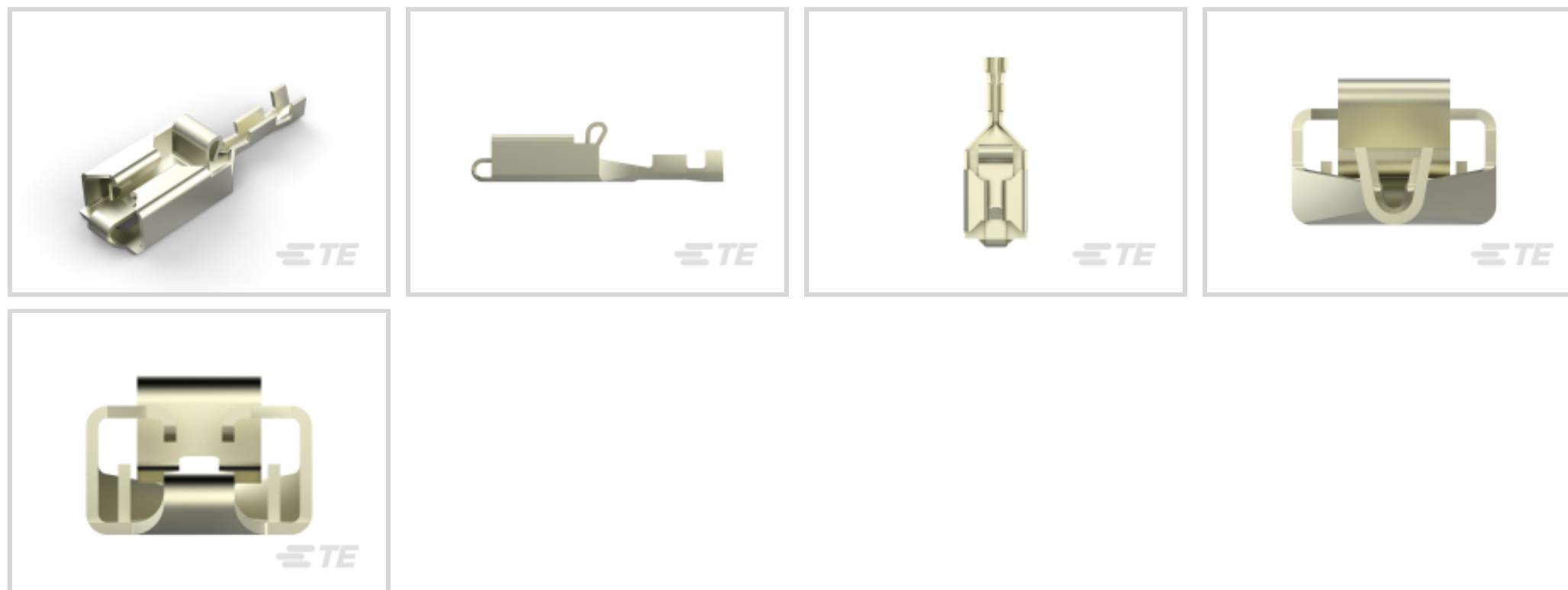
**Positive Lock | Positive Lock 250**

TE Internal #: 928909-3

Quick Disconnect Receptacle, Uninsulated, 24 – 20 AWG, .2 – .51 mm<sup>2</sup> Wire, 6.35 mm [.25 in] Tab Width, F-Crimp, Straight, Brass, Positive Lock 250

[View on TE.com >](#)

Terminals & Splices > Quick Disconnects



Quick Disconnect Terminal Type: **Receptacle**

Wire Size: .2 – .51 mm<sup>2</sup>

Mating Tab Width: 6.35 mm [.25 in]

Mating Tab Thickness: .81 mm [.032 in]

**Features**

**Product Type Features**

Insertion Force	Low
-----------------	-----

**Configuration Features**

Compatible With Wire & Cable Type	FLK
Connection Capacity	Single

**Contact Features**

Quick Disconnect Terminal Type	Receptacle
Mating Tab Width	6.35 mm [.25 in]
Mating Tab Thickness	.81 mm [.032 in]
Terminal Orientation	Straight
Contact Base Material	Brass
Terminal Plating Material	Nickel
Crimp Type	F-Crimp
Barrel Type	Open

**Termination Features**

--	--



Product Terminates To	Wire & Cable
-----------------------	--------------

### Mechanical Attachment

Wire Insulation Support	With
Mating Retention Type	Dimple
Extraction Force	.7 – 10.2 kgf

### Dimensions

Product Length	22.3 mm [.88 in]
Compatible Insulation Diameter Range	1 – 1.6 mm [.039 – .063 in]
Terminal Material Thickness	.41 mm [.016 in]
Wire Size	.2 – .51 mm <sup>2</sup>

### Usage Conditions

Insulation Option	Uninsulated
Operating Temperature Range	-40 – 110 °C [-40 – 230 °F]

### Industry Standards

Compatible With Agency/Standards Products	UL
---	----

### Packaging Features

Packaging Quantity	1500
Packaging Method	Strip/Reel

### Product Compliance

[For compliance documentation, visit the product page on TE.com>](#)

EU RoHS Directive 2011/65/EU	Compliant
EU ELV Directive 2000/53/EC	Compliant
China RoHS 2 Directive MIIT Order No 32, 2016	No Restricted Materials Above Threshold
EU REACH Regulation (EC) No. 1907/2006	Current ECHA Candidate List: JUNE 2025 (250) Candidate List Declared Against: JUNE 2025 (250) Does not contain REACH SVHC
Halogen Content	Low Halogen - Br, Cl, F < 900 ppm per homogenous material. Also BFR/CFR/PVC Free
Solder Process Capability	Not applicable for solder process capability

Product Compliance Disclaimer



This information is provided based on reasonable inquiry of our suppliers and represents our current actual knowledge based on the information they provided. This information is subject to change. The part numbers that TE has identified as EU RoHS compliant have a maximum concentration of 0.1% by weight in homogenous materials for lead, hexavalent chromium, mercury, PBB, PBDE, DBP, BBP, DEHP, DIBP, and 0.01% for cadmium, or qualify for an exemption to these limits as defined in the Annexes of Directive 2011/65/EU (RoHS2). Finished electrical and electronic equipment products will be CE marked as required by Directive 2011/65/EU. Components may not be CE marked. Additionally, the part numbers that TE has identified as EU ELV compliant have a maximum concentration of 0.1% by weight in homogenous materials for lead, hexavalent chromium, and mercury, and 0.01% for cadmium, or qualify for an exemption to these limits as defined in the Annexes of Directive 2000/53/EC (ELV). Regarding the REACH Regulation, the information TE provides on SVHC in articles for this part number is based on the latest European Chemicals Agency (ECHA) 'Guidance on requirements for substances in articles' posted at this URL: <https://echa.europa.eu/guidance-documents/guidance-on-reach>

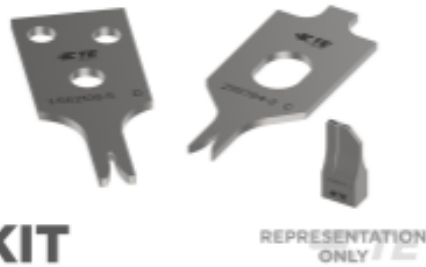
## Compatible Parts



TE Part # 2305570-1  
Strip Terminal Cutter-Side Feed-No Crimp



TE Part # 2151301-2  
OCEAN-2.0-APPLICATOR-S-070F090F-RSA




TE Part # 7-2151301-7  
OCEAN\_2.0\_SPARE\_PART\_KIT-070F090F

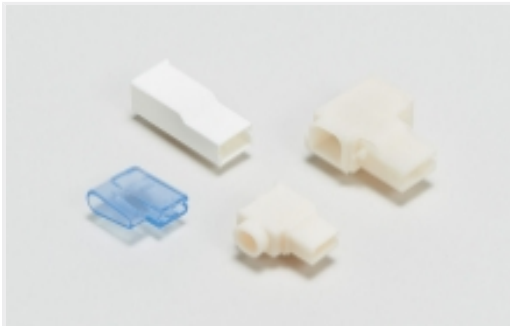


TE Part # 724659-2  
EXT TOOL FOR POSITIVE .250


## Also in the Series | Positive Lock 250



Automotive Terminals(1)




Crimp Terminal Housings(176)



Insertion & Extraction Tools(3)



Insulation Boots & Sleeves(5)

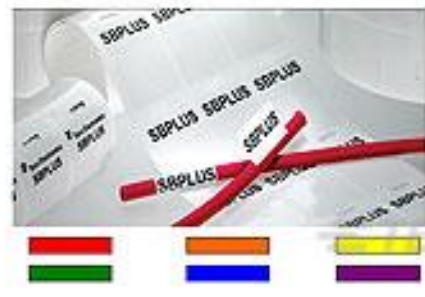


Quick Disconnects(171)

## Customers Also Bought



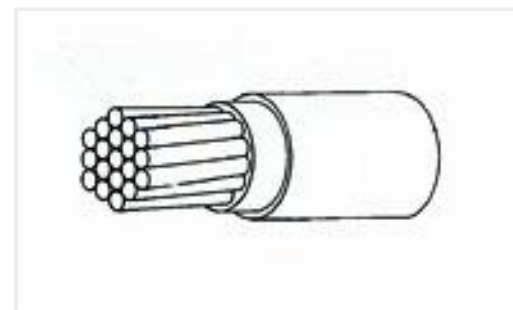
TE Part #356566-000  
SO63-3-55-22-5



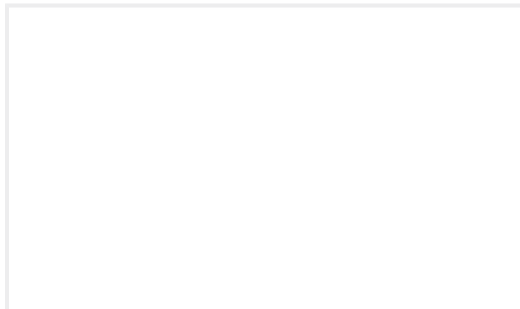
TE Part #CN9935-000  
SBP200375WE1-T200



TE Part #YD369-P99-NS300000  
369 9 WAY PLUG, 20/22 CONTACTS,  
SKT



TE Part #218248-001  
22759/34-14-9



TE Part #YABC06N-163P000000  
IN-LINE PLUG



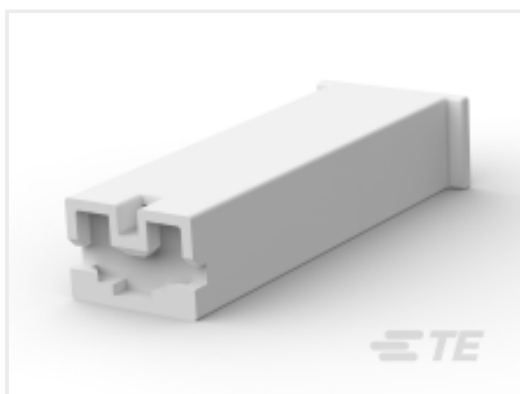
TE Part #34891  
TERMINAL,BUDG R 12-10 4



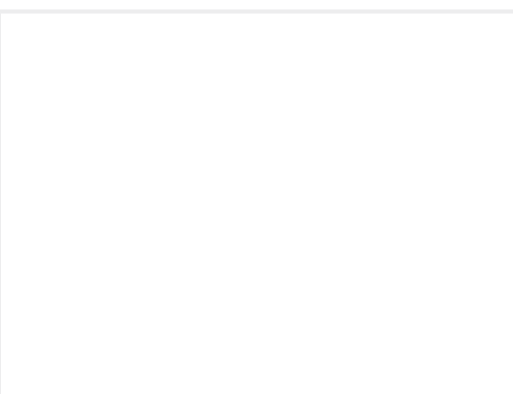
TE Part #1-794226-0  
MINI UMNL2 PIN 26-22AWG LP LF



TE Part #796966-1  
SKT ASSY,18-16 AWG,HI CURRENT



TE Part #928083-1  
PL 187 REC HSG 1P NYLON NAT



TE Part #ZPF0000000000003340  
66241-10 A

## Documents

### CAD Files

#### Customer View Model

[ENG\\_CVM\\_CVM\\_928909-3\\_C.2d\\_dxf.zip](#)

English

### 3D PDF

3D

#### Customer View Model

[ENG\\_CVM\\_CVM\\_928909-3\\_C.3d\\_igs.zip](#)

English

#### Customer View Model

[ENG\\_CVM\\_CVM\\_928909-3\\_C.3d\\_stp.zip](#)

English

By downloading the CAD file I accept and agree to the [Terms and Conditions](#) of use.

### Product Specifications

#### Application Specification

German