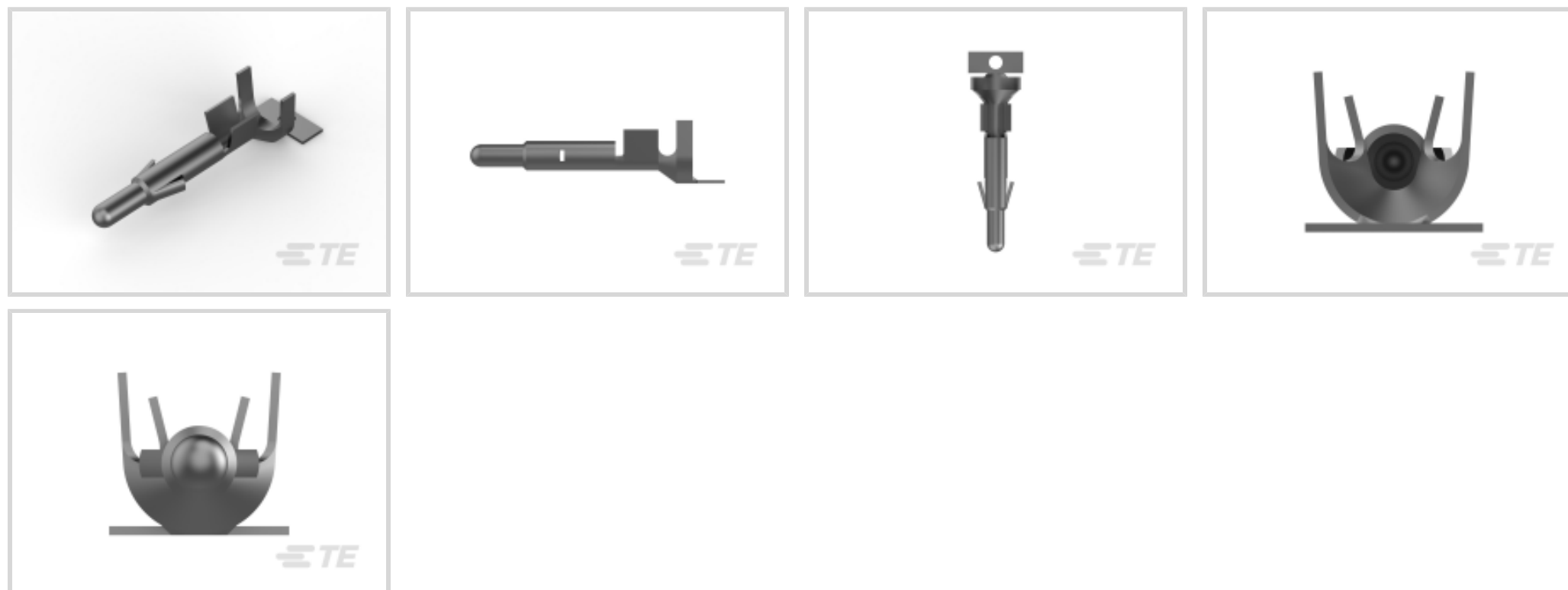




Connectors > Contacts > Connector Contacts



Contact Type: **Pin**

Contact Mating Area Plating Material: **Tin**

Wire Contact Termination Area Plating Material: **Tin**

Contact Retention Within Housing: **With**

Contact Retention Type Within Housing: **Locking Lance**

Features

Industry Standards

Compatible With Agency/Standards Products	UL, VDE, CSA
-------------------------------------------	--------------

Product Type Features

Discrete Wire Type	Stranded
--------------------	----------

Packaging Features

Packaging Quantity	2500
Packaging Method	Reel

Dimensions

Compatible Insulation Diameter Range	3.3 – 5.08 mm [.13 – .2 in]
Wire Size	1.5 – 2.5 mm ²

Mechanical Attachment

Wire Insulation Support	Without
Contact Retention Type Within Housing	Locking Lance

Contact Features

--	--



Contact Orientation	Straight
Mating Pin Diameter	2.06 mm[.081 in]
Wire Contact Termination Area Plating Material Finish	Matte
Contact Type	Pin
Contact Mating Area Plating Material	Tin
Wire Contact Termination Area Plating Material	Tin
Contact Retention Within Housing	With
Contact Base Material	Phosphor Bronze

Termination Features

Termination Method to Wire & Cable	Crimp
Product Terminates To	Wire & Cable

Operation/Application

Circuit Application	Power
---------------------	-------

Product Compliance

[For compliance documentation, visit the product page on TE.com>](#)

EU RoHS Directive 2011/65/EU	Compliant
EU ELV Directive 2000/53/EC	Compliant
China RoHS 2 Directive MIIT Order No 32, 2016	No Restricted Materials Above Threshold
EU REACH Regulation (EC) No. 1907/2006	Current ECHA Candidate List: JUNE 2024 (241) Candidate List Declared Against: JUNE 2024 (241) Does not contain REACH SVHC
Halogen Content	Low Halogen - Br, Cl, F, I < 900 ppm per homogenous material. Also BFR/CFR/PVC Free
Solder Process Capability	Not applicable for solder process capability

Product Compliance Disclaimer

This information is provided based on reasonable inquiry of our suppliers and represents our current actual knowledge based on the information they provided. This information is subject to change. The part numbers that TE has identified as EU RoHS compliant have a maximum concentration of 0.1% by weight in homogenous materials for lead, hexavalent chromium, mercury, PBB, PBDE, DBP, BBP, DEHP, DIBP, and 0.01% for cadmium, or qualify for an exemption to these limits as defined in the Annexes of Directive 2011/65/EU (RoHS2). Finished electrical and electronic equipment products will be CE marked as required by Directive 2011/65/EU. Components may not be CE marked. Additionally, the part numbers that TE has identified as EU ELV compliant have a maximum concentration of 0.1% by weight in homogenous materials for lead, hexavalent chromium, and mercury, and 0.01% for cadmium, or qualify for an exemption to these limits as defined in the Annexes of Directive 2000/53/EC (ELV). Regarding the REACH Regulation, the information TE provides

on SVHC in articles for this part number is based on the latest European Chemicals Agency (ECHA) 'Guidance on requirements for substances in articles' posted at this URL: <https://echa.europa.eu/guidance-documents/guidance-on-reach>

Compatible Parts





TE Part # 1-350766-1
03P UMNL V0 PLUG HSG BROWN



TE Part # 1-350766-9
03P UMNL V0 PLUG HSG BLACK

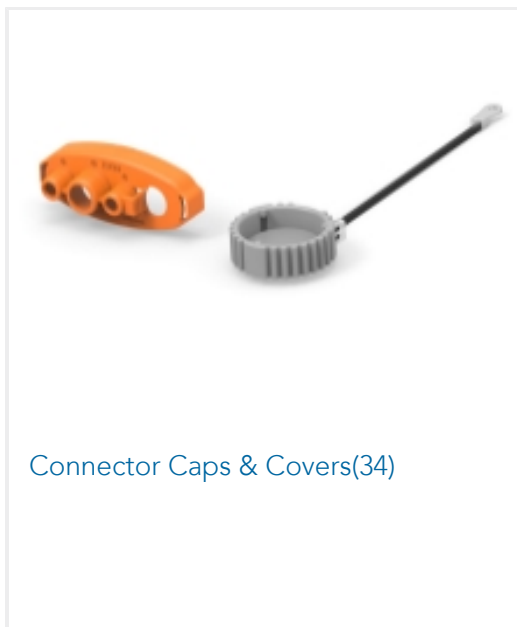


TE Part # 1-350778-2
02P UMNL V0 CAP HSG RED

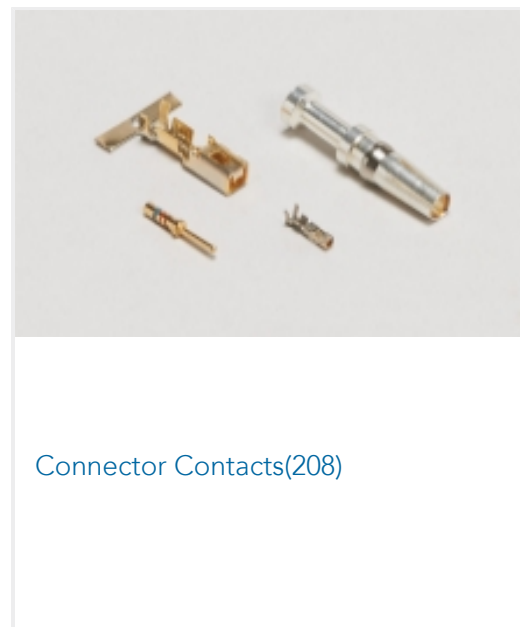


TE Part # 1-350778-9
02P UMNL V0 CAP HSG BLACK

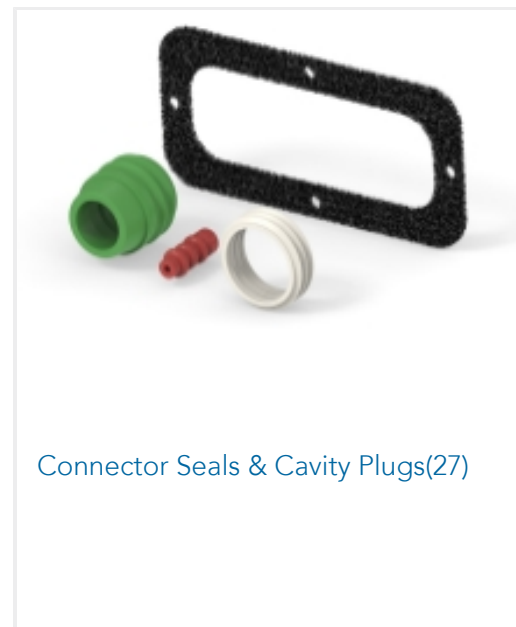
Also in the Series | Universal MATE-N-LOK



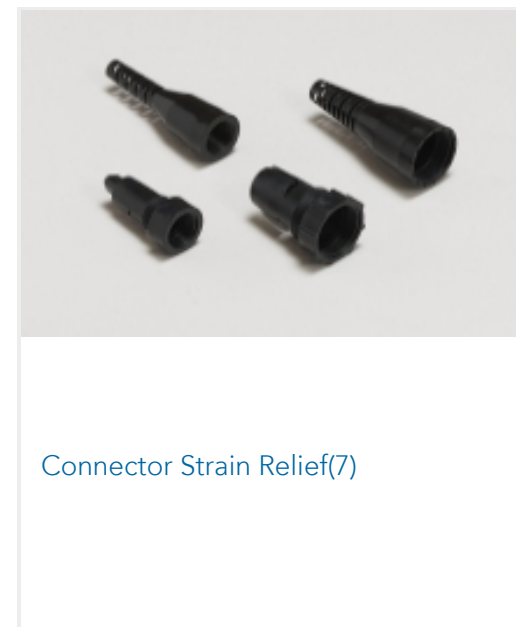
Connector Caps & Covers(34)



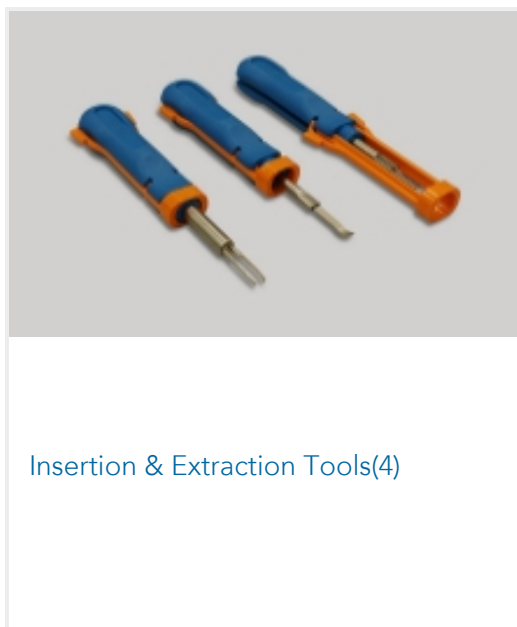
Connector Contacts(208)



Connector Seals & Cavity Plugs(27)



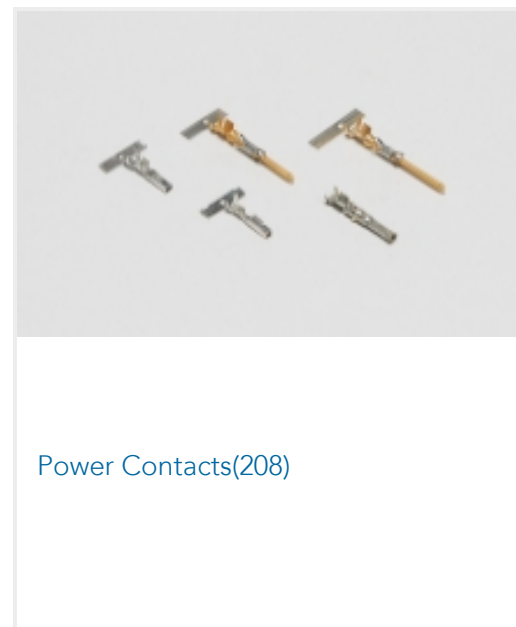
Connector Strain Relief(7)



Insertion & Extraction Tools(4)



PCB Headers & Receptacles(286)



Power Contacts(208)

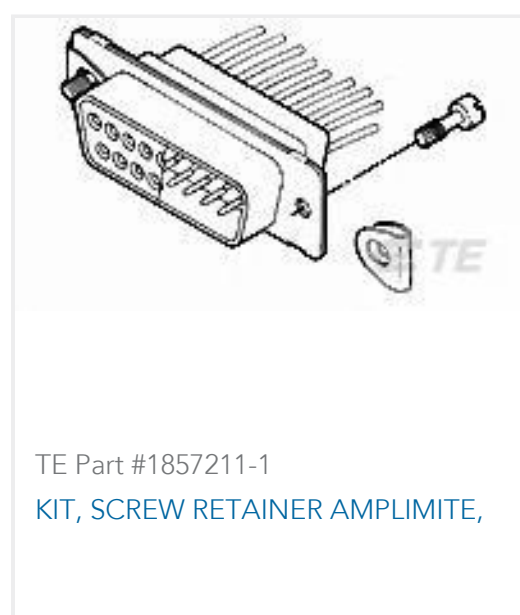


Wire-to-Board Headers & Receptacles (286)

Customers Also Bought



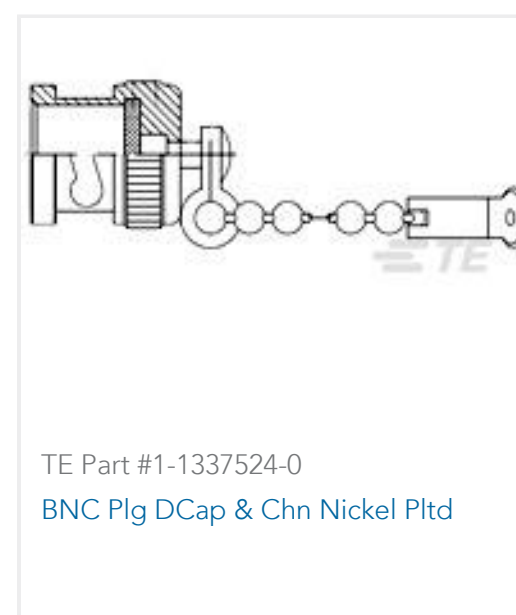
TE Part #350434-1
15P UMNL PIN HDR ASSY NATL



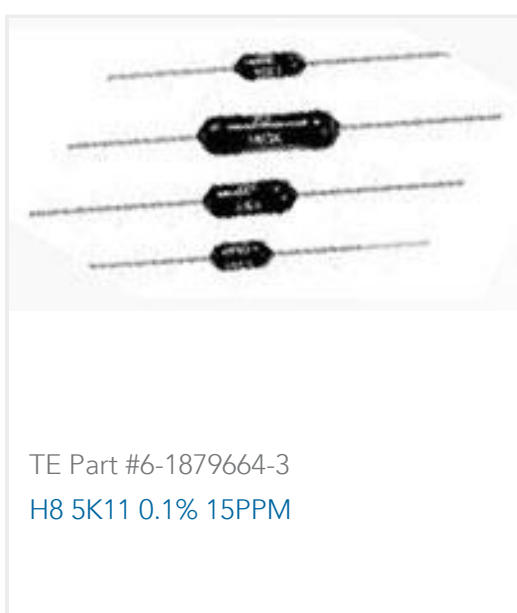
TE Part #1857211-1
KIT, SCREW RETAINER AMPLIMITE,



TE Part #350432-1
09P UMNL PIN HDR ASSY NATL



TE Part #1-1337524-0
BNC Plg DCap & Chn Nickel Pltd



TE Part #6-1879664-3
H8 5K11 0.1% 15PPM



TE Part #350809-1
05P UMNL PLUG HSG



TE Part #34176
TERMINAL,PG SPD 12-10 10



TE Part #170362-4
MINI UNIVERSAL M-N-L SOCKET



Documents

Product Drawings

UNIV-MNL PIN 1

English

CAD Files

Customer View Model

[ENG_CVM_926868-3_G.3d_igs.zip](#)

English

Customer View Model

[ENG_CVM_926868-3_G.3d_stp.zip](#)

English

Customer View Model

[ENG_CVM_926868-3_G.2d_dxf.zip](#)

English

3D PDF

English

3D PDF

3D

Customer View Model

[ENG_CVM_CVM_926868-3_F.2d_dxf.zip](#)

English

Customer View Model

[ENG_CVM_CVM_926868-3_F.3d_igs.zip](#)

English

Customer View Model

[ENG_CVM_CVM_926868-3_F.3d_stp.zip](#)

English

By downloading the CAD file I accept and agree to the [Terms and Conditions](#) of use.

Product Specifications

Application Specification

English

Agency Approvals

VDE Certificate

English



[VDE Certificate](#)

English